



US00D999610S

(12) **United States Design Patent**
Zhang

(10) **Patent No.:** **US D999,610 S**

(45) **Date of Patent:** **** Sep. 26, 2023**

(54) **GRINDING MACHINE**

(71) Applicant: **Guangzhou Yada Nail Products Co., LTD**, Guangzhou (CN)

(72) Inventor: **Bingna Zhang**, Chaozhou (CN)

(73) Assignee: **Guangzhou Yada Nail Products Co., LTD**, Guangzhou (CN)

(**) Term: **15 Years**

(21) Appl. No.: **29/877,137**

(22) Filed: **Jun. 2, 2023**

(51) **LOC (14) Cl.** **28-03**

(52) **U.S. Cl.**
USPC **D28/58**

(58) **Field of Classification Search**
USPC D30/158; D8/62; D28/9, 56, 57, 58, 59, D28/61
CPC A45D 29/05; A45D 29/14
See application file for complete search history.

(56) **References Cited**

U.S. PATENT DOCUMENTS

D825,107 S *	8/2018	Du	D28/58
D889,426 S *	7/2020	Fu	D14/159
D900,395 S *	10/2020	Du	D28/58
D903,199 S *	11/2020	Li	D28/58
D919,394 S	5/2021	Zhong et al.		

D921,296 S *	6/2021	Duong	D28/58
D935,101 S *	11/2021	Tan	D28/58
D972,782 S *	12/2022	Lu	D8/70
2020/0052514 A1*	2/2020	Haile	A45D 29/05
2020/0375336 A1*	12/2020	Hurter	G08C 17/02
2021/0100332 A1*	4/2021	Hsieh	A61L 2/10

* cited by examiner

Primary Examiner — Michael A. Pratt

(74) *Attorney, Agent, or Firm* — Nitin Kaushik

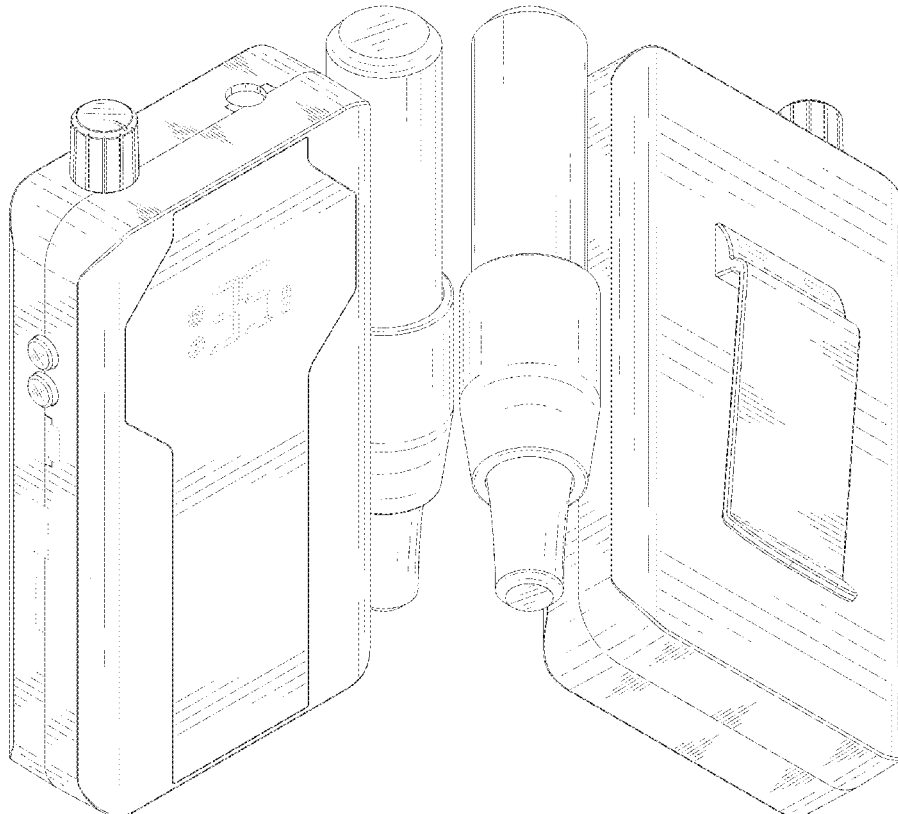
(57) **CLAIM**

The ornamental design for a grinding machine, as shown and described.

DESCRIPTION

FIG. 1 is a front perspective view of a grinding machine, showing my new design;
FIG. 2 is a rear perspective view thereof;
FIG. 3 is a front view thereof;
FIG. 4 is a rear view thereof;
FIG. 5 is a left side view thereof;
FIG. 6 is a right side view thereof;
FIG. 7 is a top view thereof; and,
FIG. 8 is a bottom view thereof.
The broken lines in the drawings illustrate the portions of the grinding machine, which form no part of the claimed design.

1 Claim, 8 Drawing Sheets



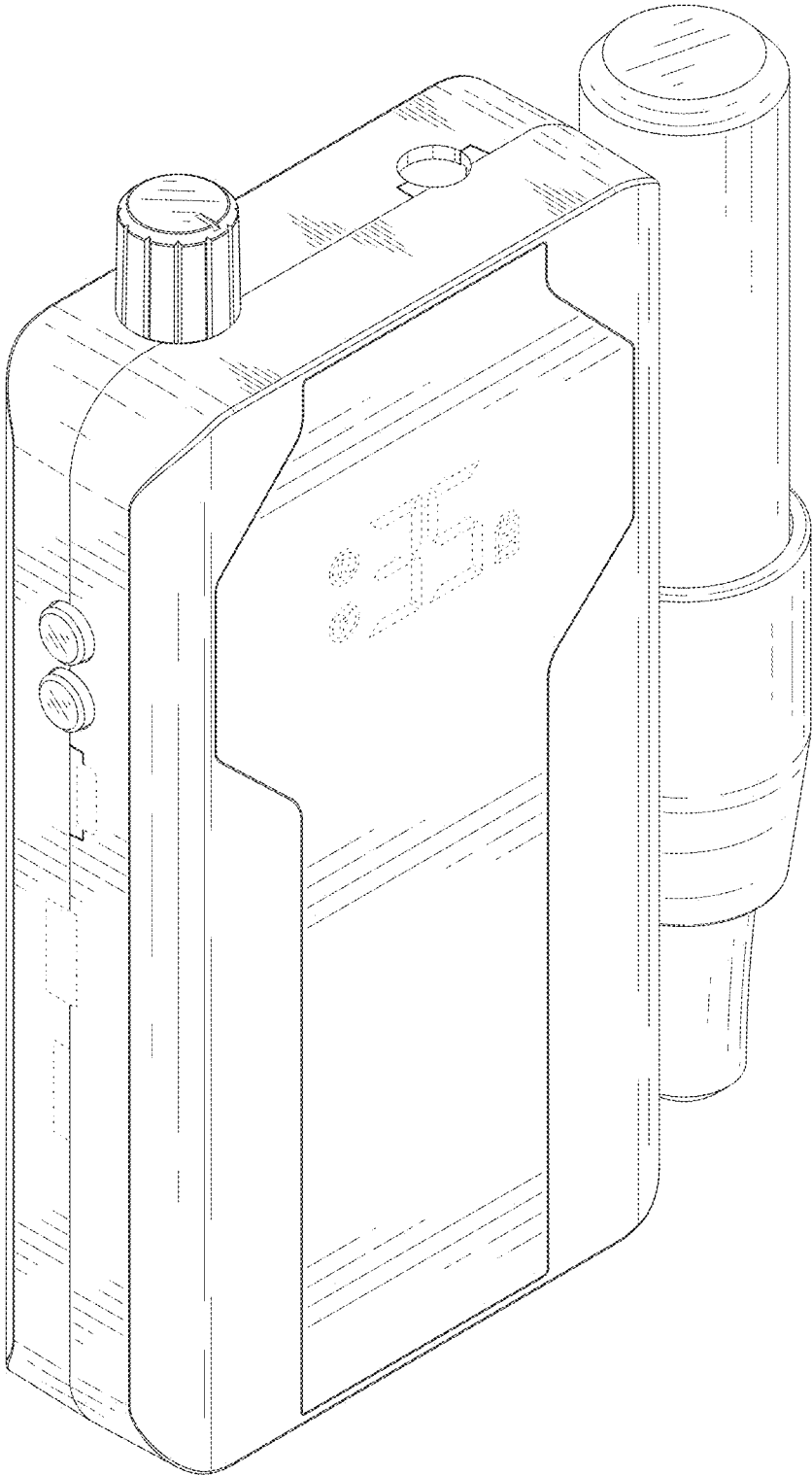


FIG. 1

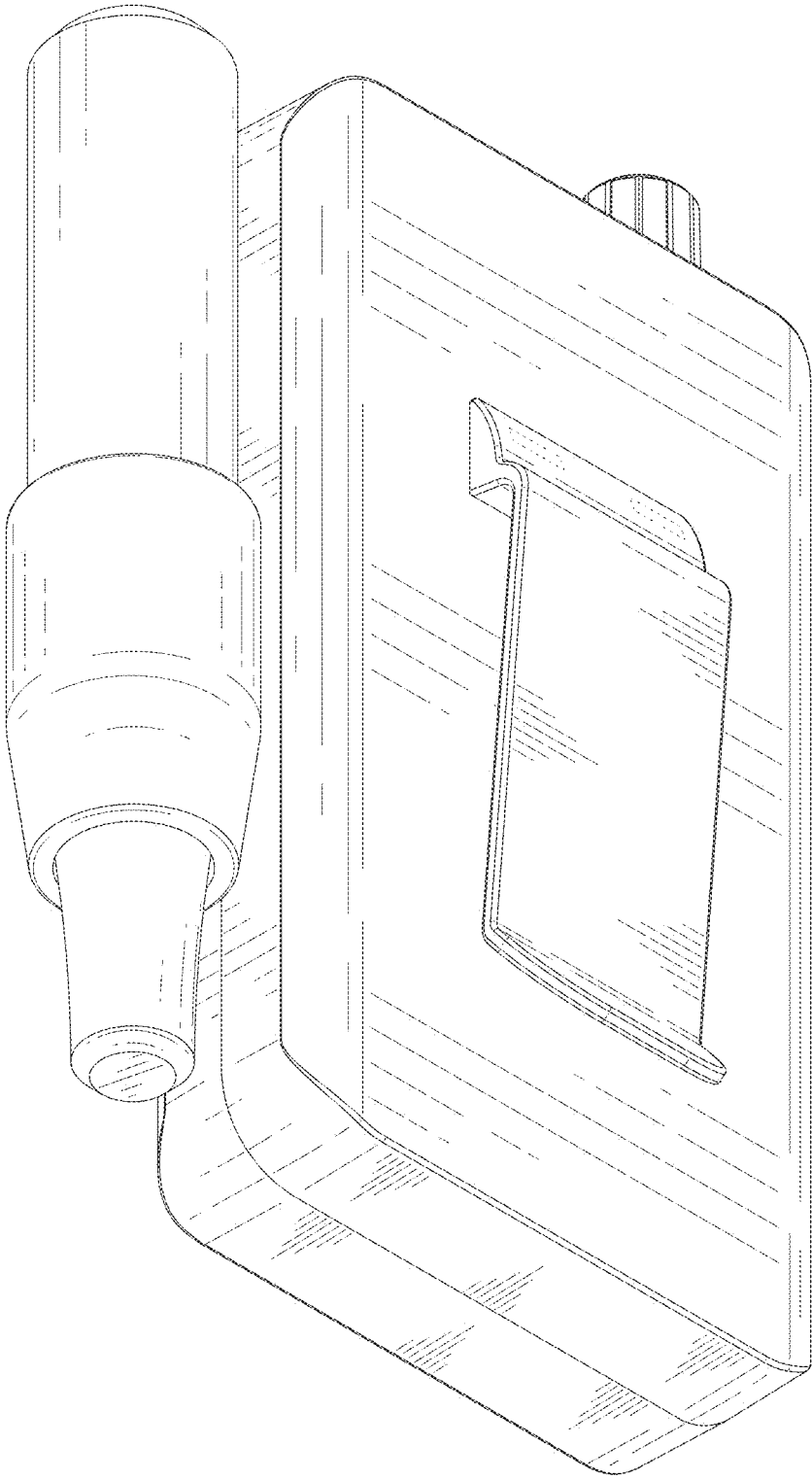


FIG. 2

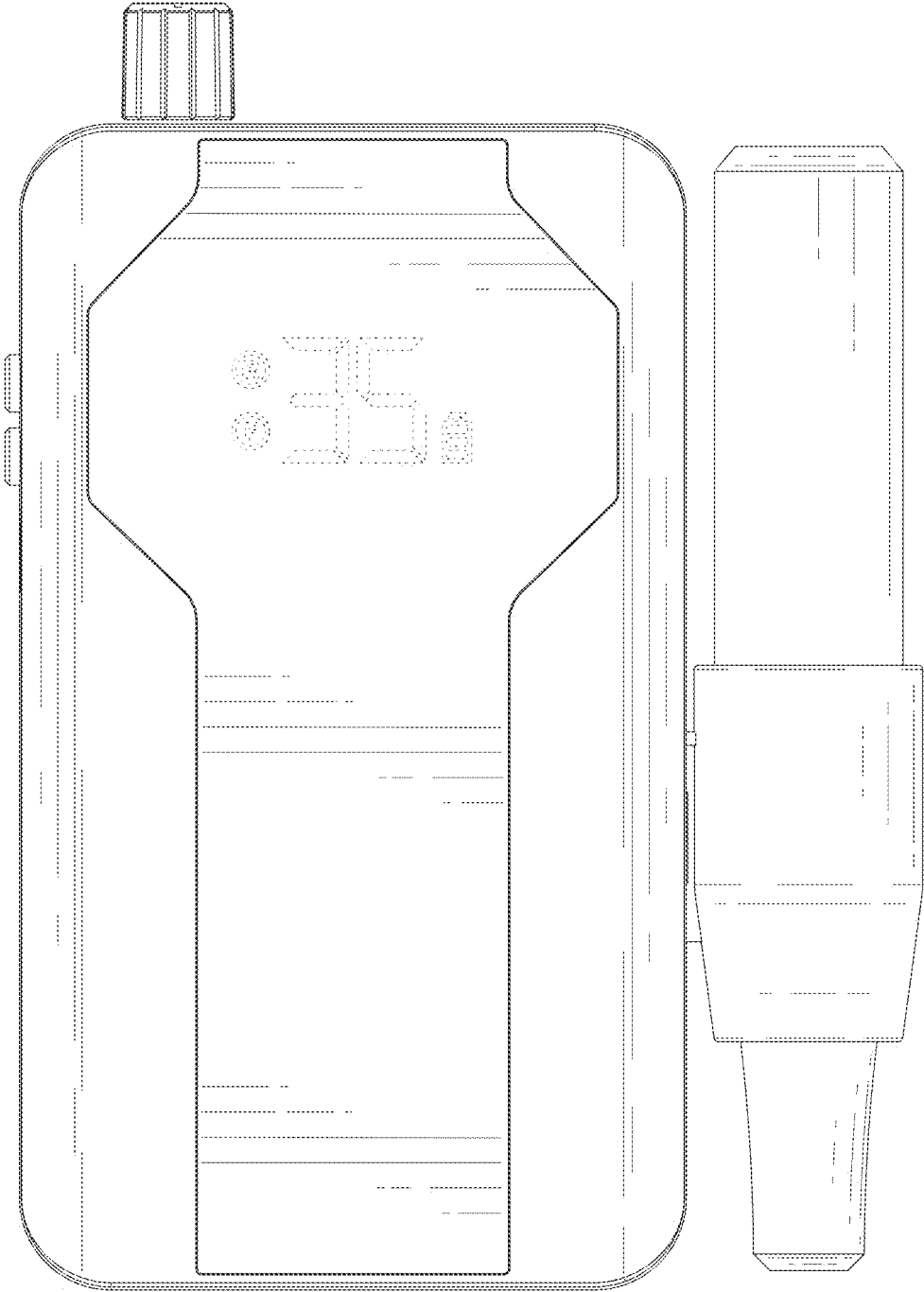


FIG. 3

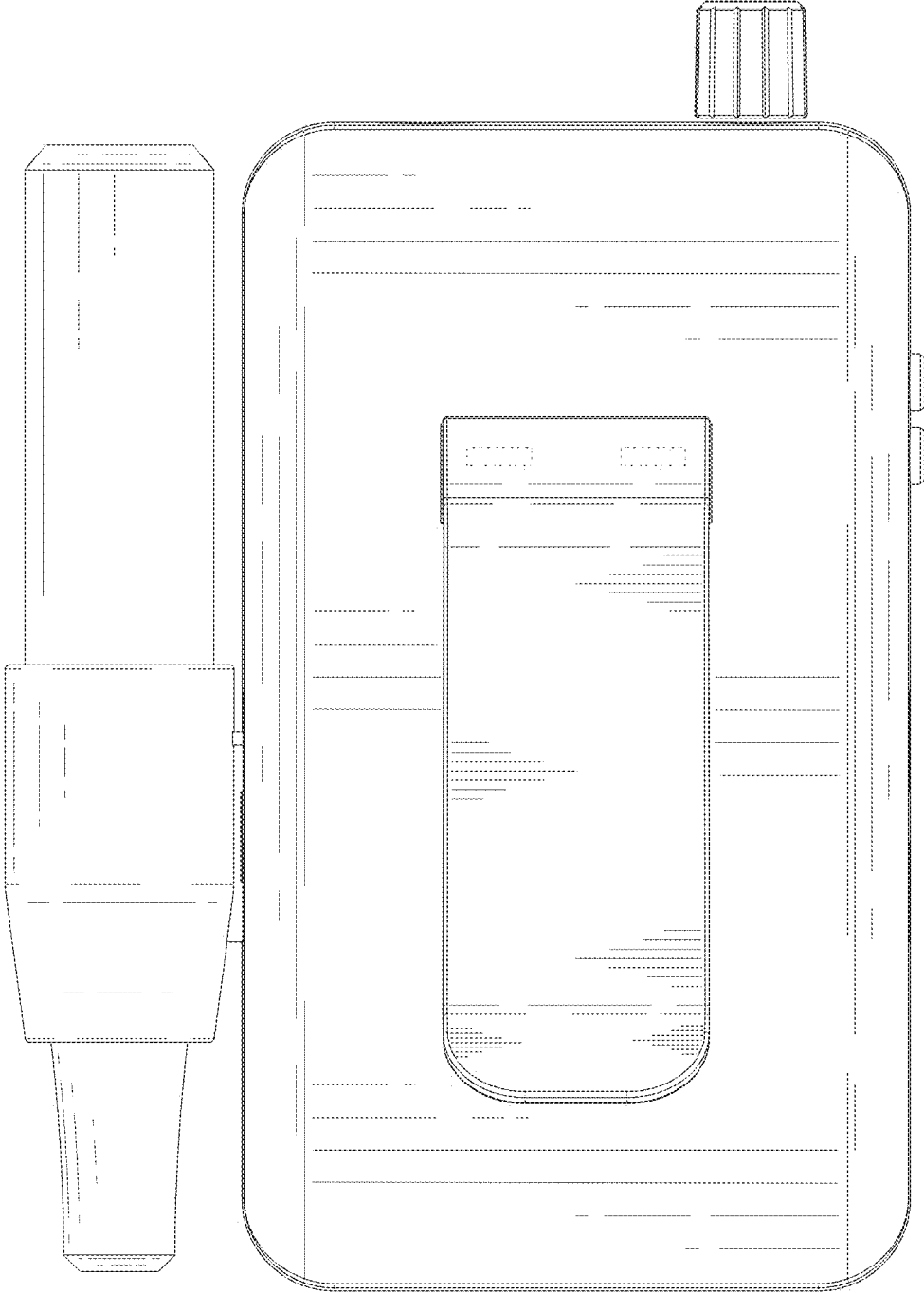


FIG. 4

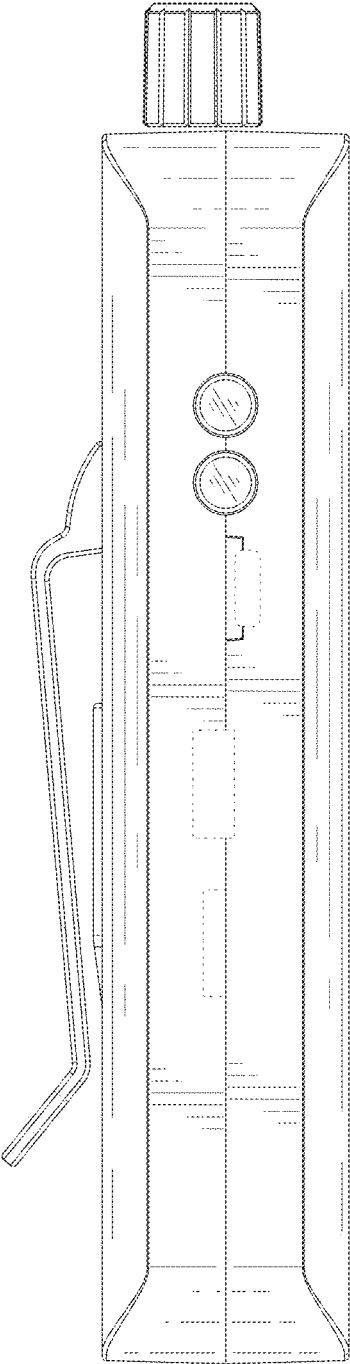


FIG. 5

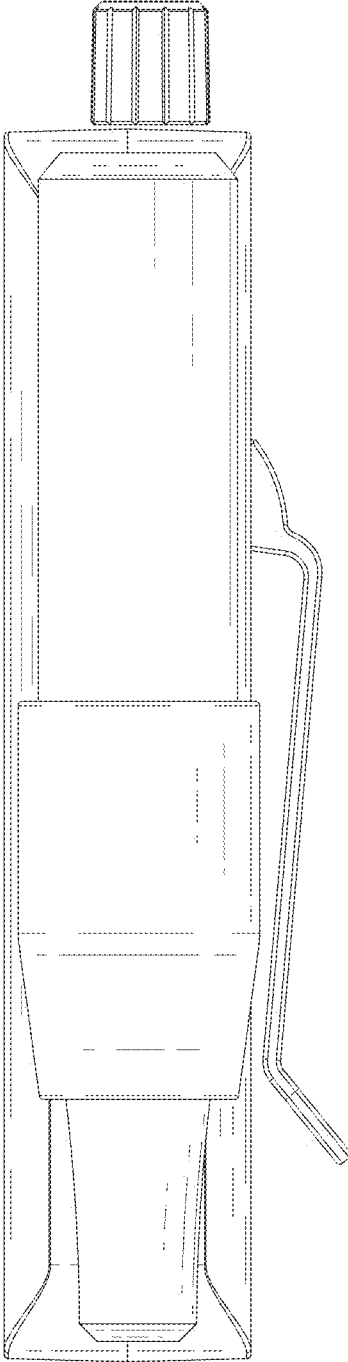


FIG. 6

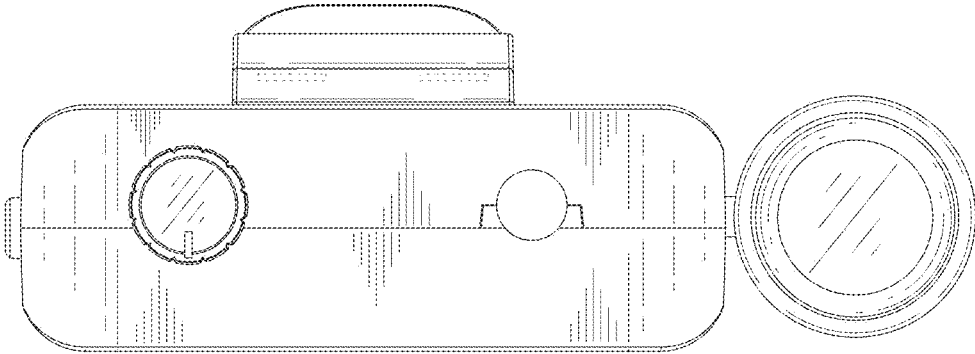


FIG. 7

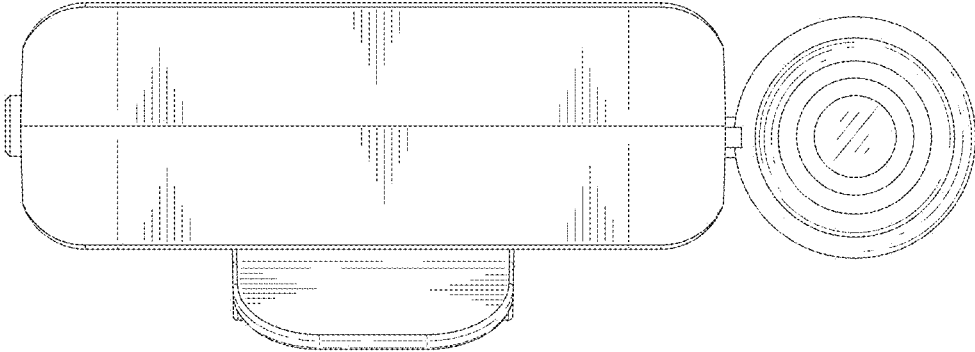


FIG. 8