



US00D393543S

United States Patent [19]

Wilkening et al.

[11] Patent Number: Des. 393,543

[45] Date of Patent: **Apr. 21, 1998

[54] TOOL HOLDER

[75] Inventors: **Steven R. Wilkening**, Grandville, Mich.; **Walter B. Herbst**, Lake Forest, Ill.; **Kurt T. Peterson**, Mt. Prospect, Ill.; **Aaron B. Eiger**, Evanston, Ill.

[73] Assignee: **ODL, Incorporated**, Zeeland, Mich.

[**] Term: 14 Years

[21] Appl. No.: 57,011

[22] Filed: Jul. 15, 1996

[51] LOC (6) CL 03-01

[52] U.S. Cl. D3/313; D3/905

[58] Field of Search D3/304, 307-314, D3/905; D6/571, 567, 552, 570, 553, 574, 469; D9/347, 348; D29/224, 227; 206/379; 211/69

[56] References Cited

U.S. PATENT DOCUMENTS

D. 187,029	1/1960	Blue	D6/469
D. 205,745	9/1966	Nannfeldt	D6/469
D. 222,522	10/1971	Zipf	D3/313
D. 241,226	8/1976	Chatham	D9/347
D. 251,644	4/1979	Ravn	D6/571
D. 253,071	10/1979	Montez	D9/347 X
D. 253,126	10/1979	Baxter	D9/347 X

D. 253,127	10/1979	Baxter	D9/347 X
D. 268,130	3/1983	Easton	D9/347 X
D. 269,791	7/1983	Chatham	D9/347 X
D. 276,116	10/1984	Basil	D9/347 X
D. 294,668	3/1988	Handler et al.	D6/570
D. 299,687	2/1989	Handler et al.	D6/574
D. 302,026	7/1989	Tu	D3/905 X
D. 309,687	8/1990	Embree et al.	D6/567
D. 319,348	8/1991	Monteleon	D3/313
D. 321,431	11/1991	Dunkeld	D3/905 X
D. 323,245	1/1992	Hobson	D3/313

Primary Examiner—M. N. Pandozzi
Attorney, Agent, or Firm—Warner Norcross & Judd

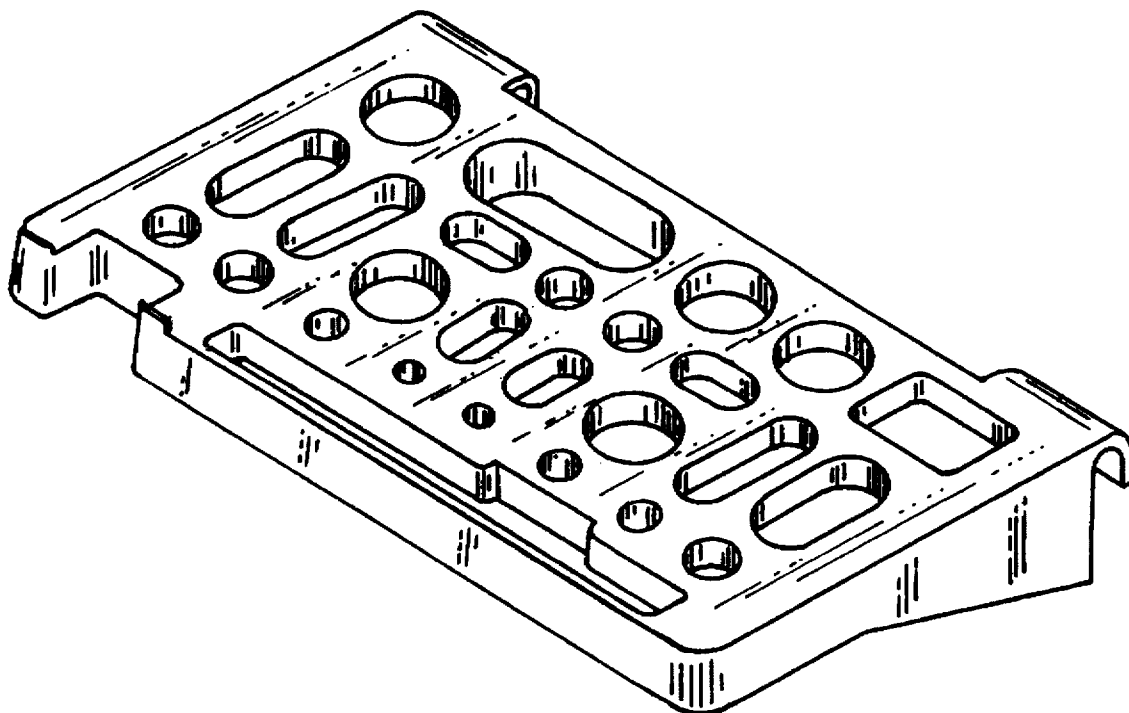
[57] CLAIM

The ornamental design for a tool holder, as shown and described.

DESCRIPTION

FIG. 1 is a top perspective view of the tool holder embodying the new design;
FIG. 2 is a bottom perspective view thereof;
FIG. 3 is a top plan view thereof;
FIG. 4 is a bottom plan view thereof;
FIG. 5 is a left side elevational view thereof, the right side elevational view being a mirror image;
FIG. 6 is a front elevational view thereof; and
FIG. 7 is a rear elevational view thereof.

1 Claim, 2 Drawing Sheets



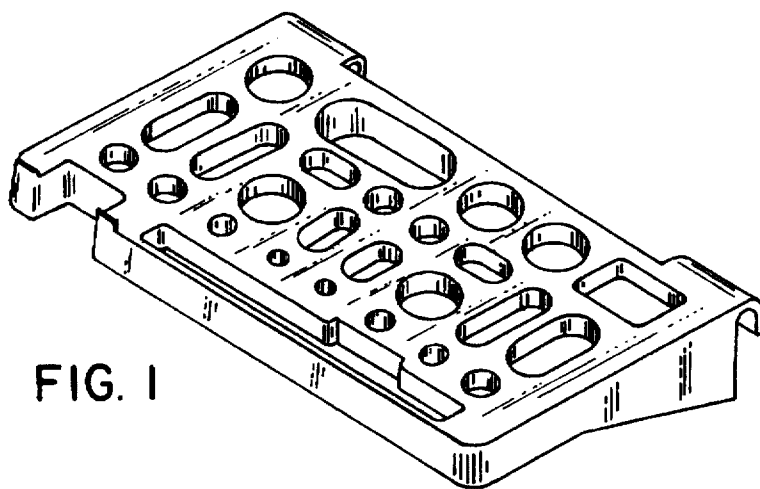


FIG. 1

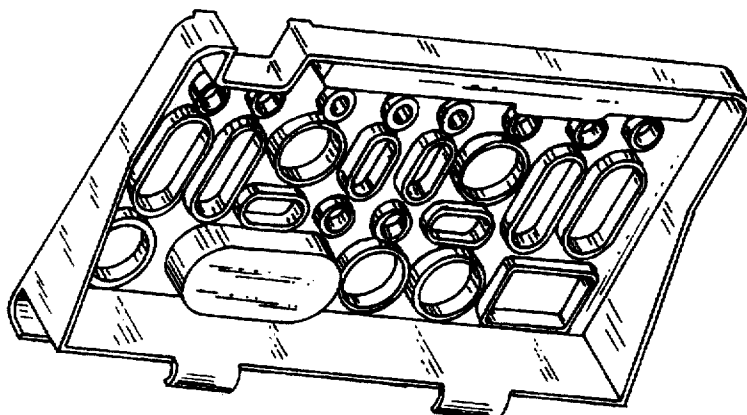


FIG. 2

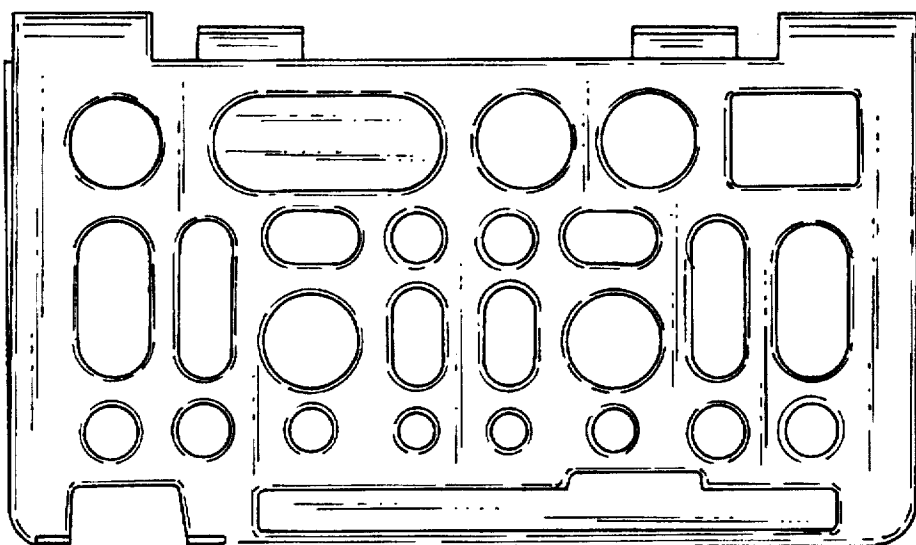


FIG. 3

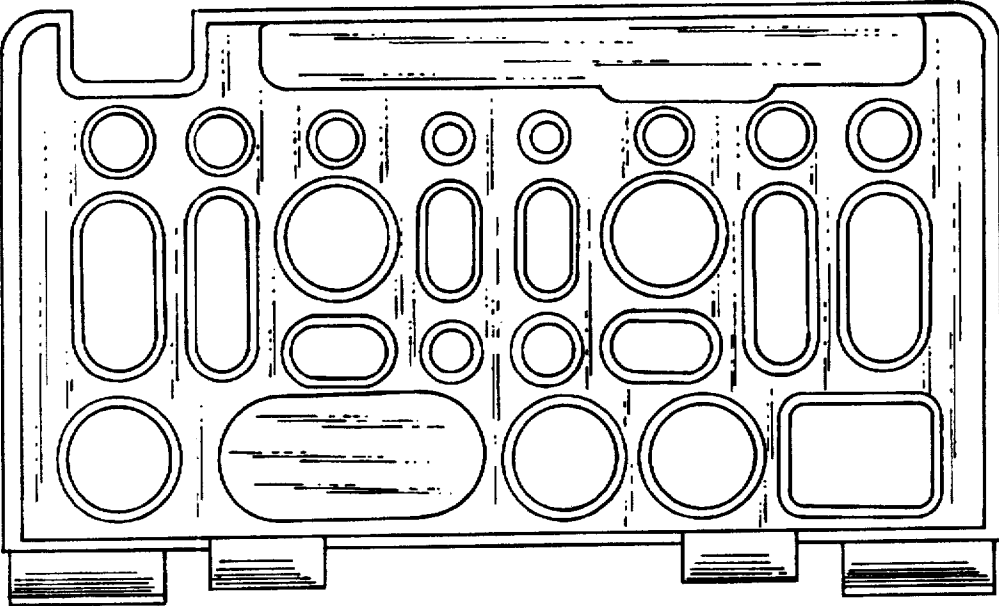


FIG. 4

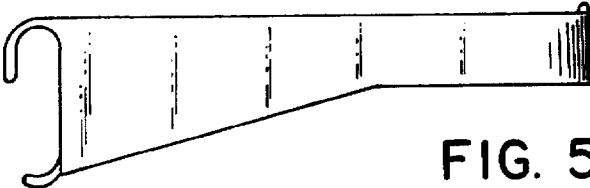


FIG. 5

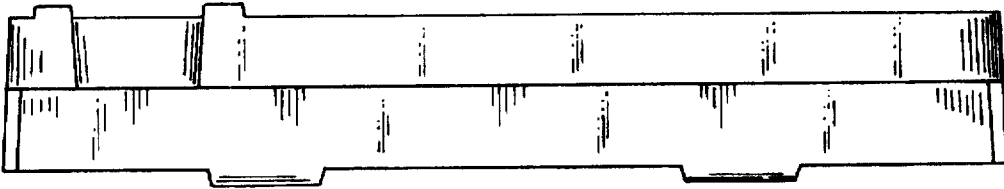


FIG. 6

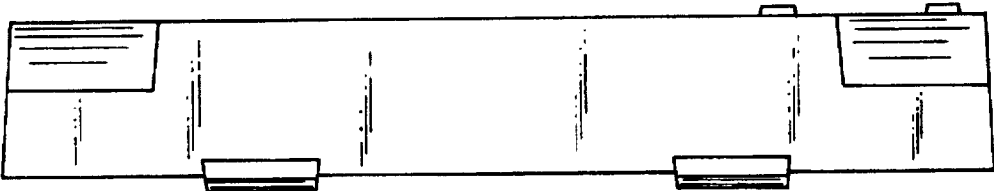


FIG. 7