



US00D906304S

(12) **United States Design Patent**
Dubois et al.

(10) **Patent No.:** **US D906,304 S**

(45) **Date of Patent:** **** *Dec. 29, 2020**

- (54) **GATEWAY DEVICE**
- (71) Applicant: **Kinestral Technologies, Inc.**, Hayward, CA (US)
- (72) Inventors: **Antoine Dubois**, Montreal (CA); **John B. Bogdan**, Logan, UT (US)
- (73) Assignee: **KINESTRAL TECHNOLOGIES, INC.**, Hayward, CA (US)

D490,403	S	*	5/2004	Wu	D14/240
D499,087	S	*	11/2004	Peng	D14/240
D532,001	S	*	11/2006	Burke	D14/240
D535,651	S	*	1/2007	Wong	D14/240
D559,234	S	*	1/2008	Girard	D14/240
D607,443	S	*	1/2010	Klein	D14/240
D611,462	S	*	3/2010	McGuire	D14/240
D622,711	S	*	8/2010	Landry	D14/240
D710,341	S	*	8/2014	Cheng	D14/240
D766,894	S	*	9/2016	Jeong	D14/358
D832,242	S	*	10/2018	Kwak	D14/240

(*) Notice: This patent is subject to a terminal disclaimer.

(**) Term: **15 Years**

(21) Appl. No.: **29/681,885**

(22) Filed: **Feb. 28, 2019**

(51) **LOC (12) CL.** **14-03**

(52) **U.S. CL.**
USPC **D14/240**

(58) **Field of Classification Search**
USPC D14/240, 242, 357, 358, 155, 125, 126,
D14/137, 139, 243, 348, 349, 351, 354,
D14/355

CPC . H04L 12/66; H04L 63/0853; H04L 63/0272;
H04L 63/083; H04L 63/105; H05K 7/20;
H05K 7/20154

See application file for complete search history.

(56) **References Cited**

U.S. PATENT DOCUMENTS

6,312,377	B1	*	11/2001	Segermark	A61B 17/02 600/201
D465,481	S	*	11/2002	Haaparanta	D14/242

FOREIGN PATENT DOCUMENTS

CN 305286436 * 2/2019

* cited by examiner

Primary Examiner — Bridget L Eland

(74) *Attorney, Agent, or Firm* — Lowenstein Sandler LLP

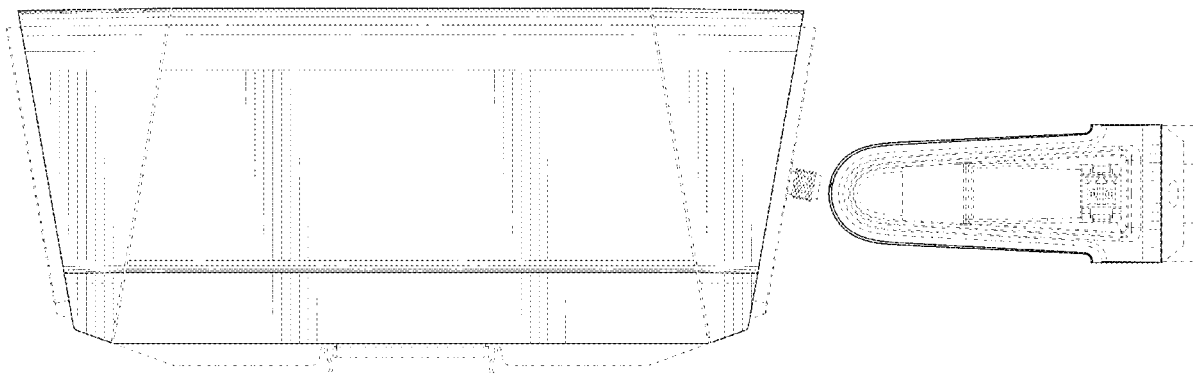
(57) **CLAIM**

The ornamental design for a gateway device, as shown and described.

DESCRIPTION

FIG. 1 is a first side perspective view of a gateway device showing our new design;
FIG. 2 is a second side perspective view thereof;
FIG. 3 is a top view thereof;
FIG. 4 is a bottom view thereof;
FIG. 5 is a first side view thereof;
FIG. 6 is a second side view thereof;
FIG. 7 is a third side view thereof; and,
FIG. 8 is a fourth side view thereof.

1 Claim, 6 Drawing Sheets



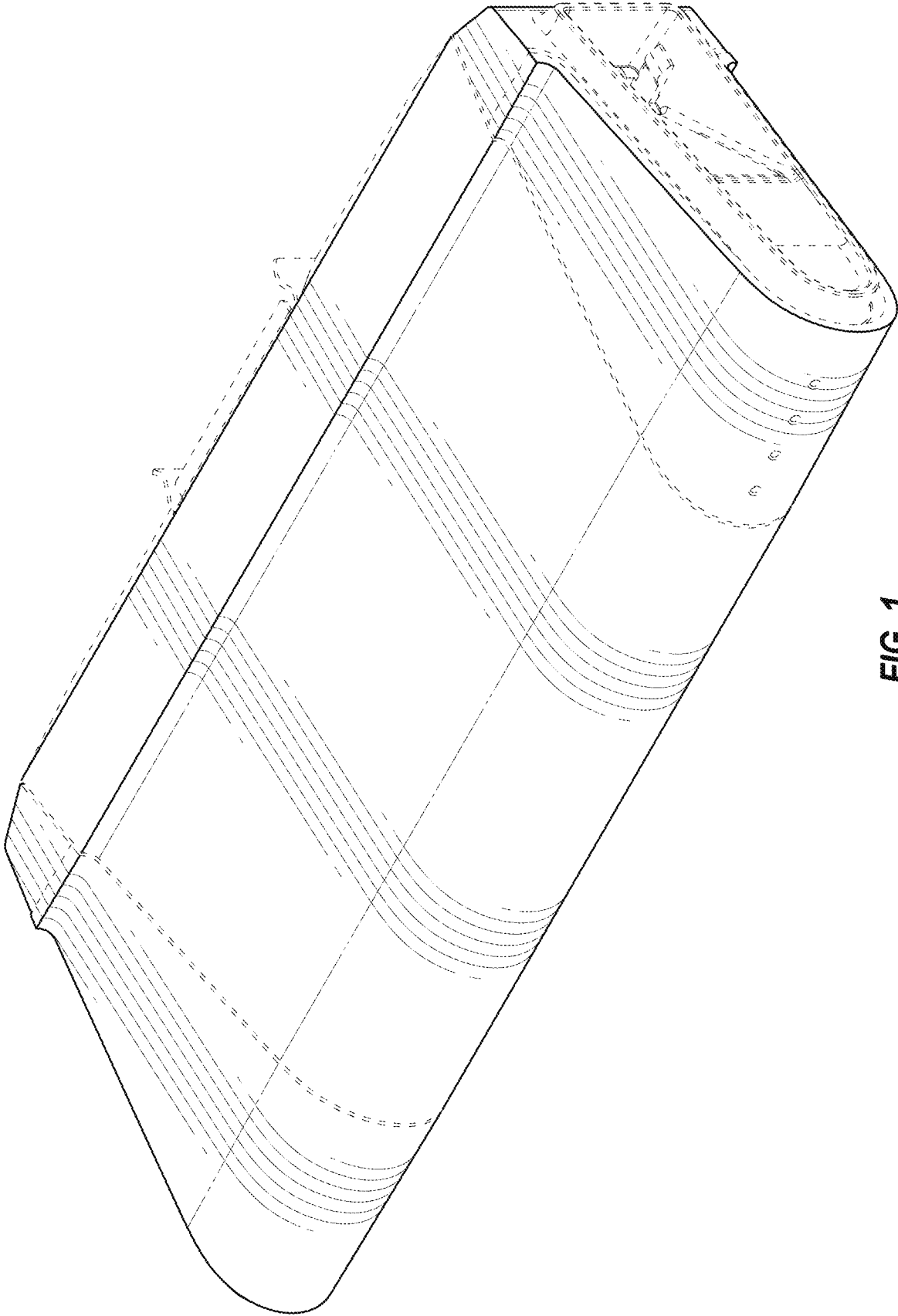


FIG. 1

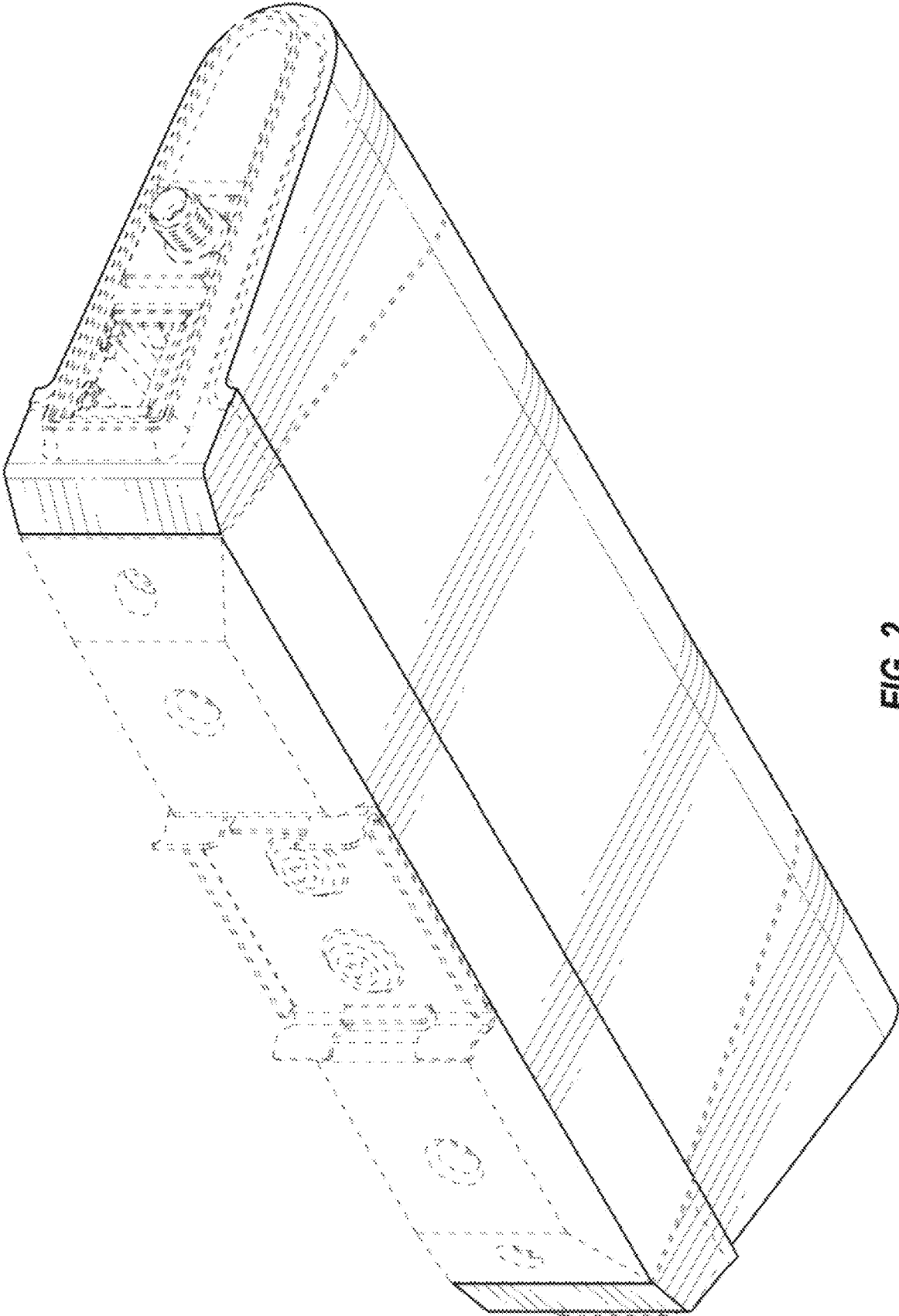


FIG. 2

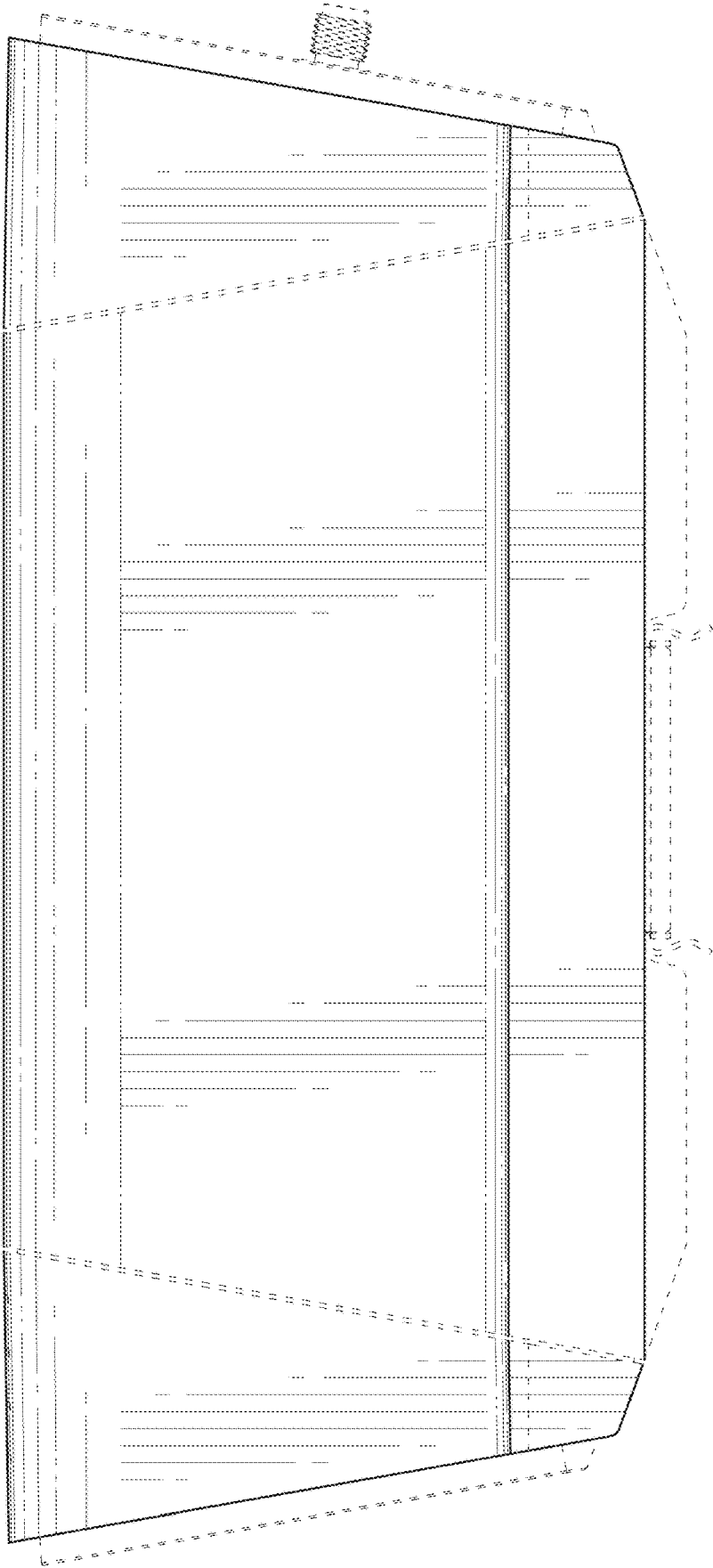


FIG. 3

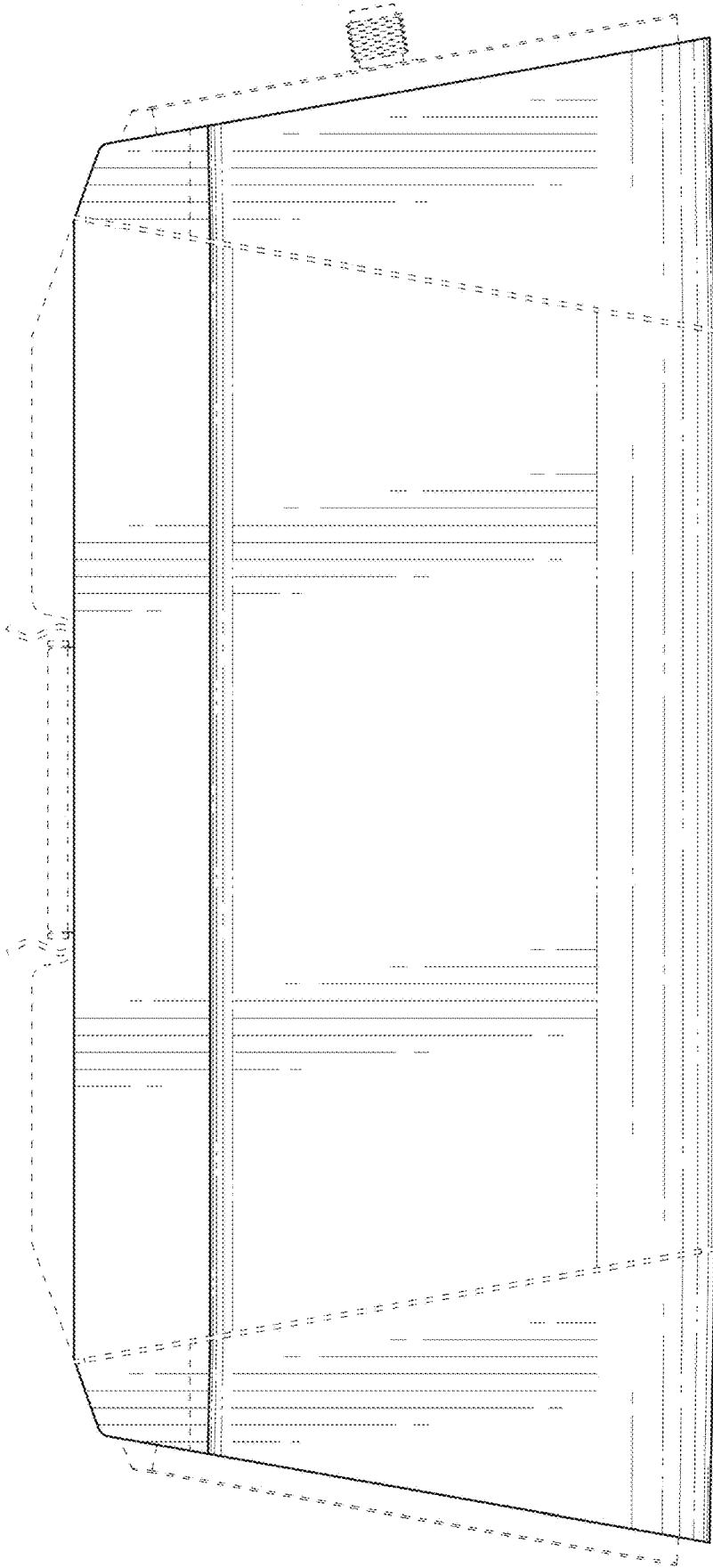


FIG. 4

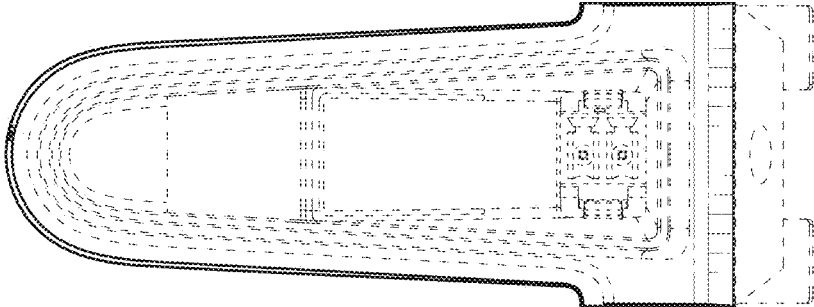


FIG. 5

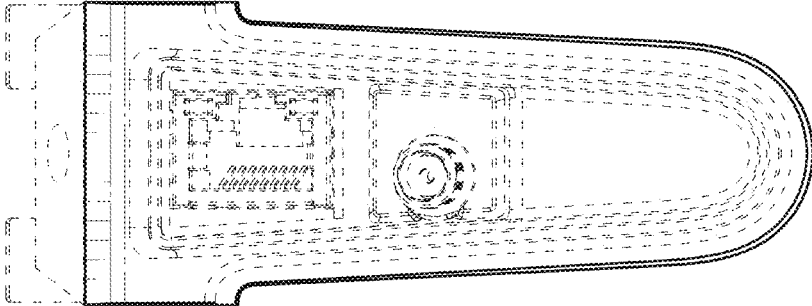


FIG. 6

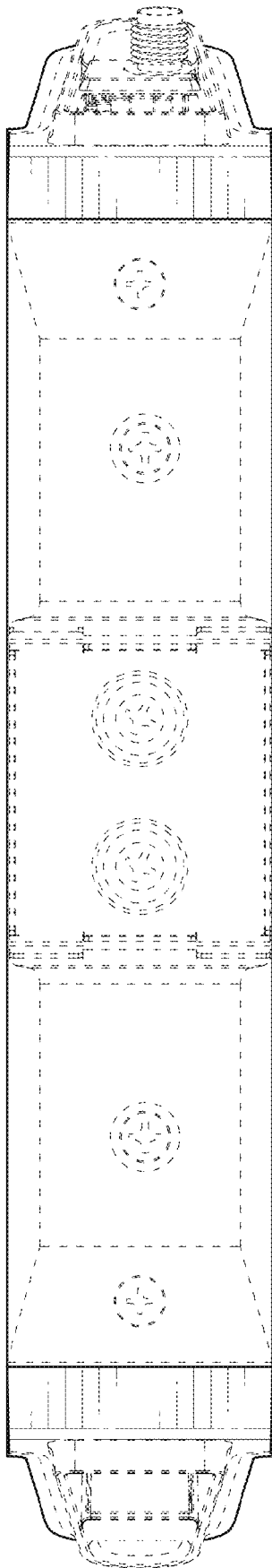


FIG. 7

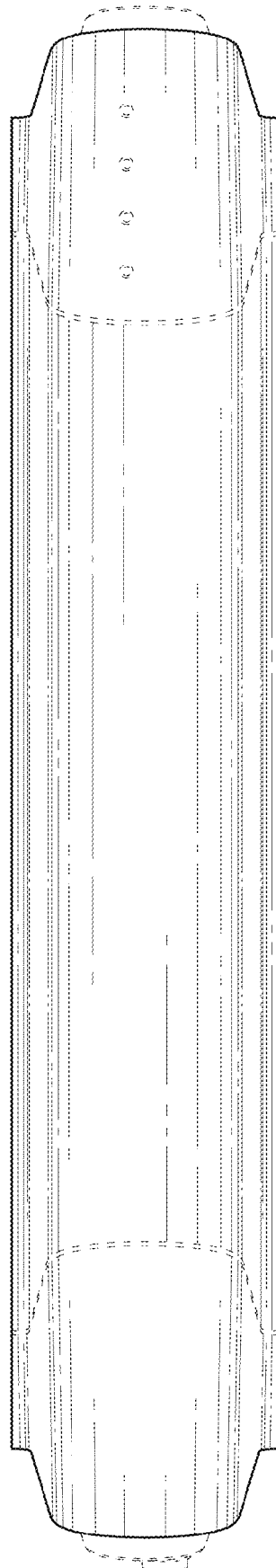


FIG. 8