



(12) **United States Design Patent**
Fahrendorff et al.

(10) **Patent No.:** **US D622,704 S**
(45) **Date of Patent:** **** Aug. 31, 2010**

(54) **EARGEL**

(75) Inventors: **Anders Fahrendorff**, Ottawa (CA);
Todd Andrew Wood, Guelph (CA)

(73) Assignee: **Research in Motion Limited**, Waterloo (CA)

(**) Term: **14 Years**

(21) Appl. No.: **29/341,117**

(22) Filed: **Jul. 30, 2009**

(51) **LOC (9) Cl.** **14-01**

(52) **U.S. Cl.** **D14/223**

(58) **Field of Classification Search** D14/205,
D14/206, 223, 142, 147, 192, 253; D24/106,
D24/173, 174; 128/864, 865; 181/129, 130,
181/135; 381/380, 381; 379/430
See application file for complete search history.

(56) **References Cited**

U.S. PATENT DOCUMENTS

2,606,255	A	*	8/1952	Tullis	379/446
D176,810	S	*	1/1956	Norris	D14/192
D177,346	S	*	4/1956	Norris	D14/192
D321,881	S	*	11/1991	Hopewell	D14/192
D449,295	S	*	10/2001	Smith et al.	D14/223
D464,638	S	*	10/2002	Huang	D14/205
D469,755	S	*	2/2003	Hlas et al.	D14/223
D470,122	S	*	2/2003	Hlas et al.	D14/205
D470,123	S	*	2/2003	Hlas et al.	D14/205
D470,128	S	*	2/2003	Hlas et al.	D14/223

D504,883	S	*	5/2005	Jacobson et al.	D14/192
D538,271	S	*	3/2007	Kim et al.	D14/223
D562,808	S	*	2/2008	Gwee	D14/223
7,340,221	B2	*	3/2008	Wikel et al.	455/90.3
D566,694	S	*	4/2008	Kim et al.	D14/223
D573,137	S	*	7/2008	Polito	D14/223
D580,910	S	*	11/2008	Kim et al.	D14/205
D586,791	S	*	2/2009	Birger et al.	D14/223
D604,273	S	*	11/2009	Tamura et al.	D14/223

* cited by examiner

Primary Examiner—Paula Greene

(57) **CLAIM**

We claim the ornamental design for an eargel, as shown and described.

DESCRIPTION

FIG. 1 is a front perspective view of an eargel;

FIG. 2 is a back perspective view of the eargel;

FIG. 3 is a top plan view thereof;

FIG. 4 is a bottom plan view thereof;

FIG. 5 is a right elevational view thereof;

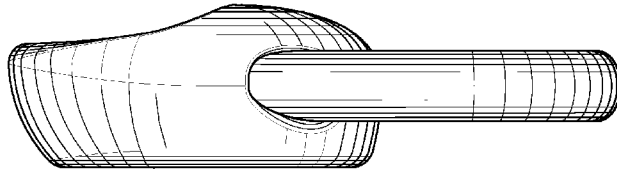
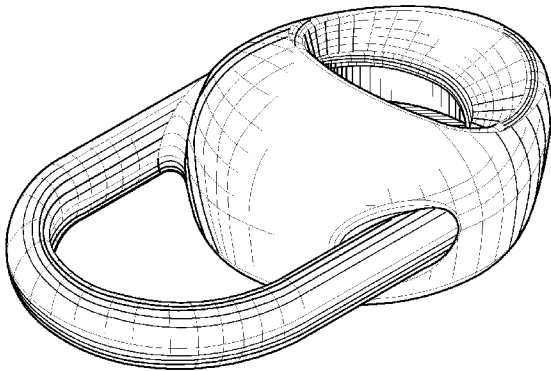
FIG. 6 is a left elevational view thereof;

FIG. 7 is a front plan view thereof; and,

FIG. 8 is a back plan view thereof.

The broken lines shown in the drawings of the eargel are for the purpose of illustrating portions of the article and form no part of the claimed design.

1 Claim, 4 Drawing Sheets



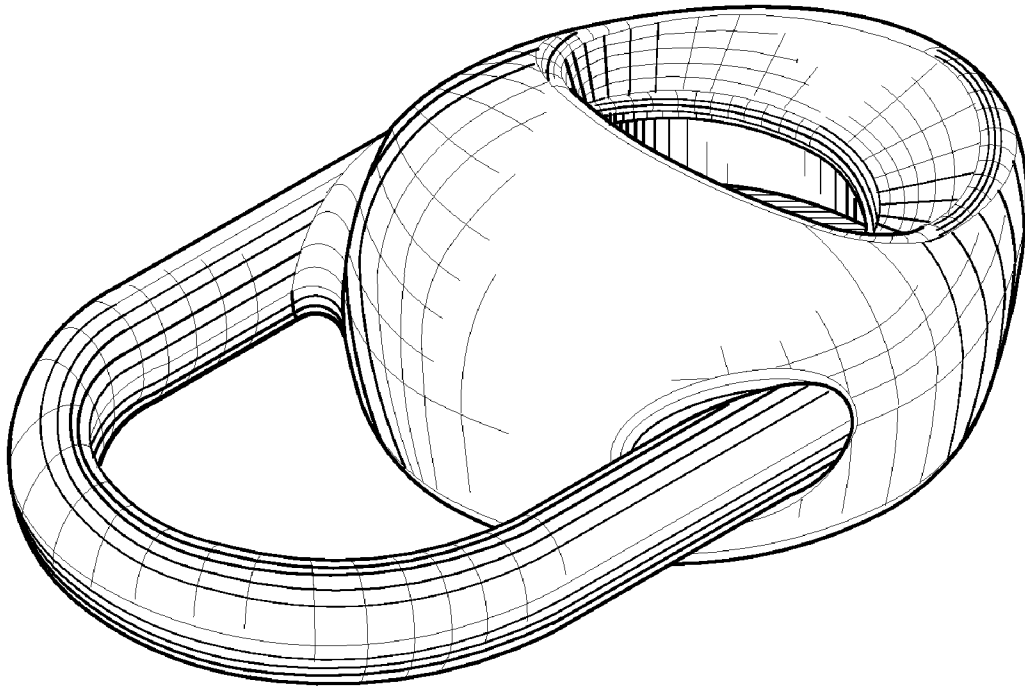


FIG. 1

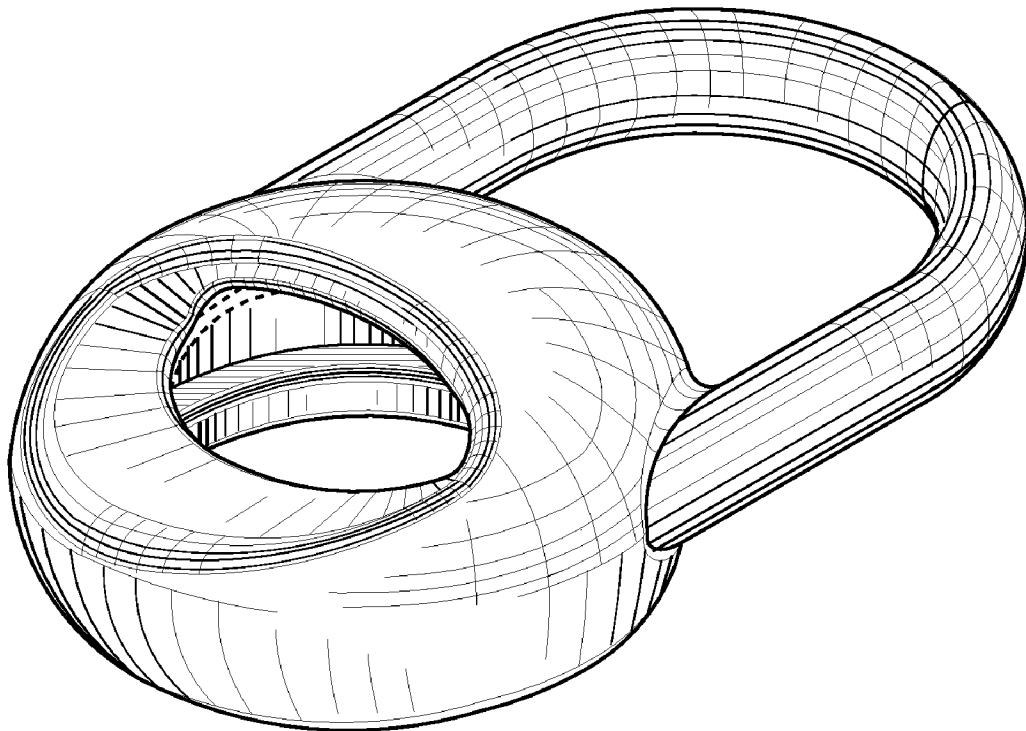


FIG. 2

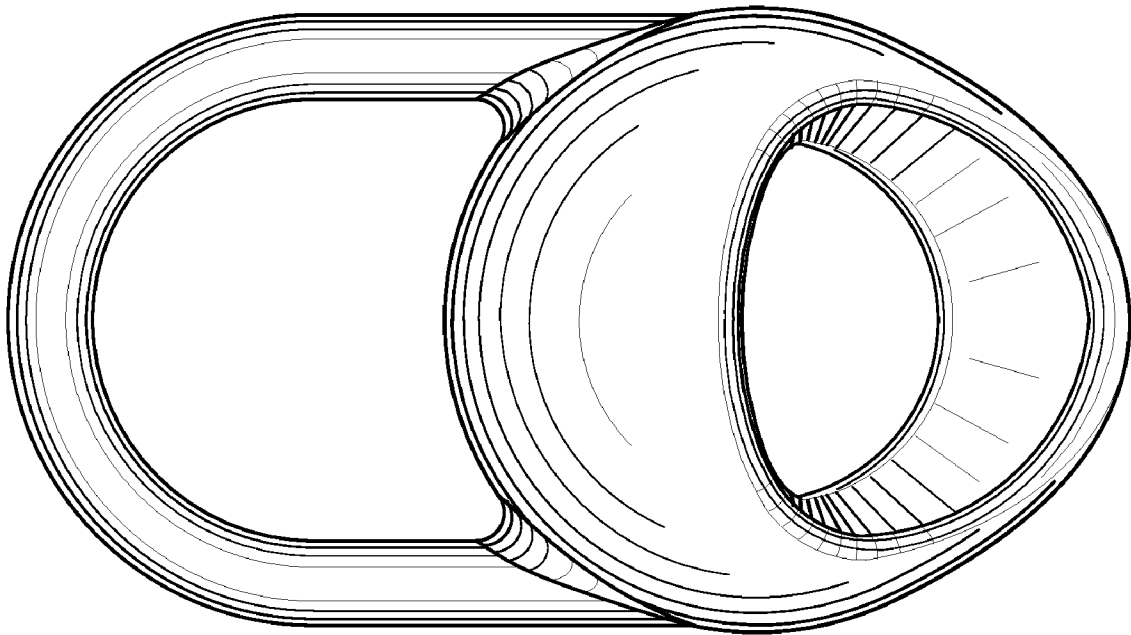


FIG.3

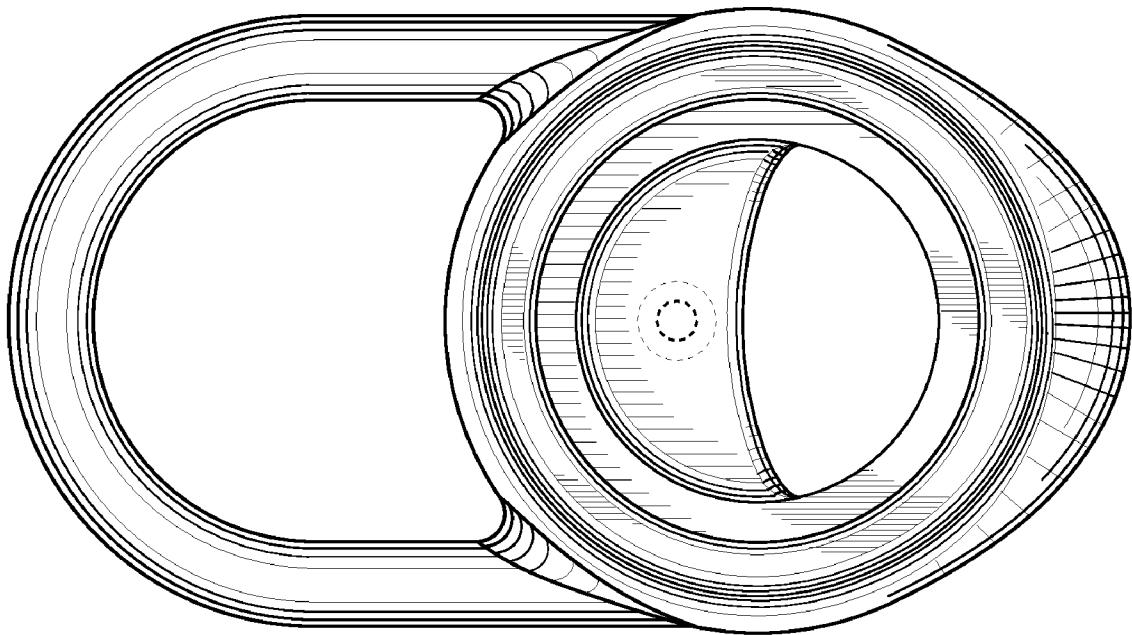


FIG.4

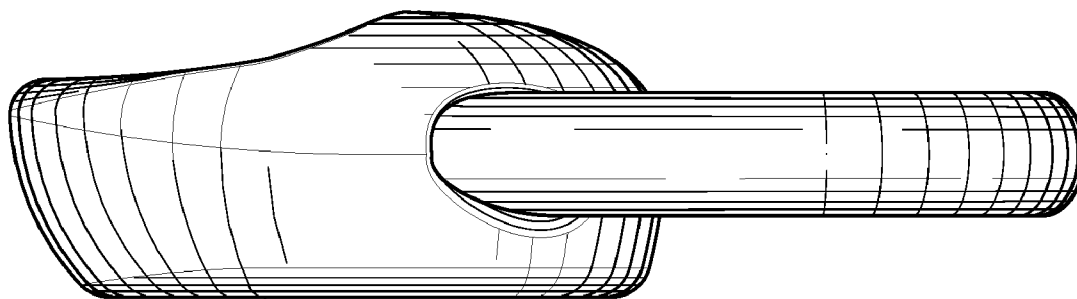


FIG. 5

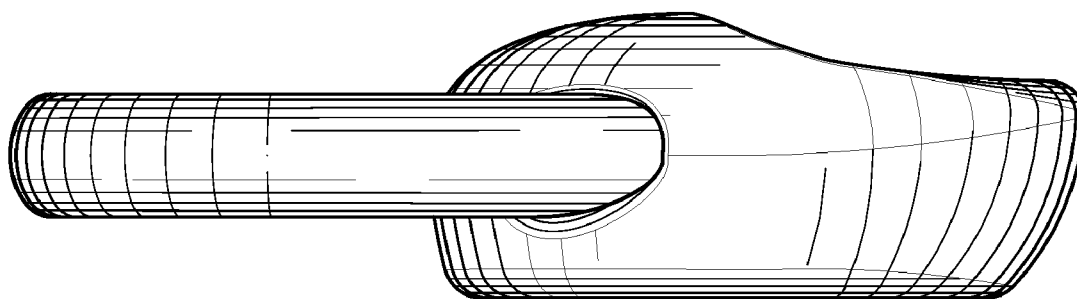


FIG. 6

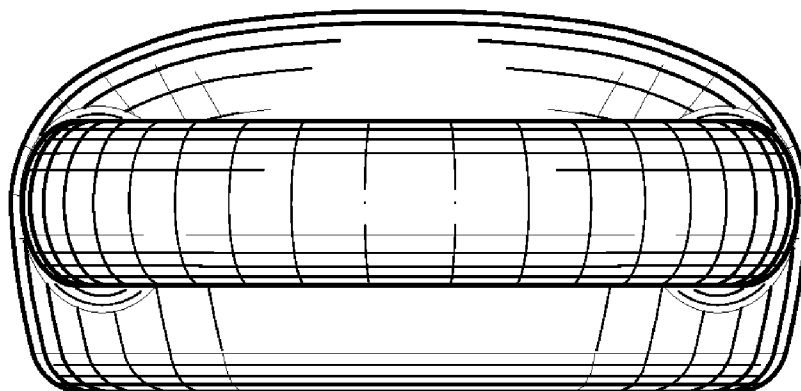


FIG. 7

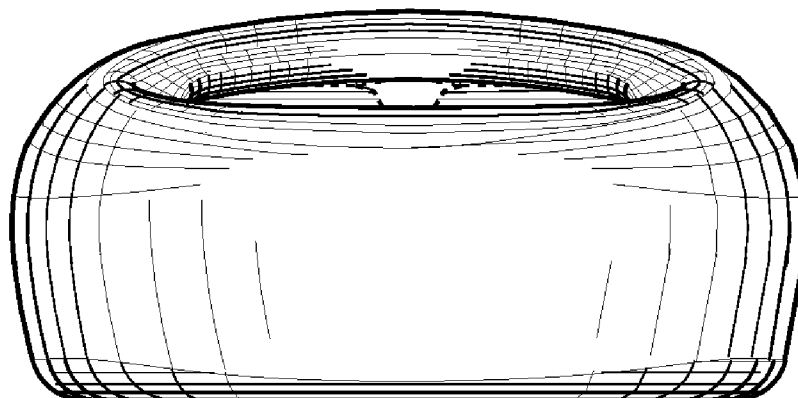


FIG. 8