



US00D815195S

(12) **United States Design Patent**
Chin et al.

(10) **Patent No.:** **US D815,195 S**

(45) **Date of Patent:** **** Apr. 10, 2018**

(54) **PRINTER**

(71) Applicant: **Hewlett-Packard Development Company, L.P.**, Houston, TX (US)

(72) Inventors: **Chung Chiet Edwin Chin**, Singapore (SG); **Chun Long Goh**, Singapore (SG)

(73) Assignee: **Hewlett-Packard Development Company, L.P.**, Houston, TX (US)

(**) Term: **15 Years**

(21) Appl. No.: **29/556,989**

(22) Filed: **Mar. 4, 2016**

(51) **LOC (11) Cl.** **18-02**

(52) **U.S. Cl.**
USPC **D18/50**

(58) **Field of Classification Search**
USPC D18/12, 14, 18, 19, 36, 37, 38, 39, 43, D18/50, 54, 54.1, 55, 56, 99; D14/420, D14/421, 422, 423, 424, 425, 462, 463, D14/464, 465, 466, 467, 668, 469, 470, D14/480.5, 483, 484
CPC . B41J 31/16; B41J 32/02; B41J 19/202; B41J 29/377; B41J 15/042; B41J 3/4075; B41J 11/58; B41J 15/12; B41J 29/02; B41J 17/00

See application file for complete search history.

(56) **References Cited**

U.S. PATENT DOCUMENTS

D533,218 S *	12/2006	Gant	D18/55
D555,194 S *	11/2007	Smith	D18/55
D555,195 S *	11/2007	Park	D18/55
D561,250 S *	2/2008	Smith	D18/55
D642,212 S *	7/2011	Terenzio	D18/55
D667,488 S *	9/2012	Inoue	D18/55
D680,162 S *	4/2013	Goh	D14/421
D680,163 S *	4/2013	Lim	D18/36

D681,108 S *	4/2013	Lim	D18/50
D697,966 S *	1/2014	Fukasawa	D18/55
D697,967 S *	1/2014	Fukasawa	D18/55
D698,389 S *	1/2014	Fukasawa	D18/55
D702,760 S *	4/2014	Kim	D18/55

(Continued)

OTHER PUBLICATIONS

HP OfficeJet Pro 8710 All-in-One Printer, [online], [site visited Aug. 8, 2017]. Available from Internet, URL:<http://store.hp.com/us/en/pdp/hp-officejet-pro-8710-all-in-one-printer>.*

Primary Examiner — Caron D Veynar

Assistant Examiner — Katrina N Gonzalez

(74) *Attorney, Agent, or Firm* — Morgan Lewis & Bockius LLP

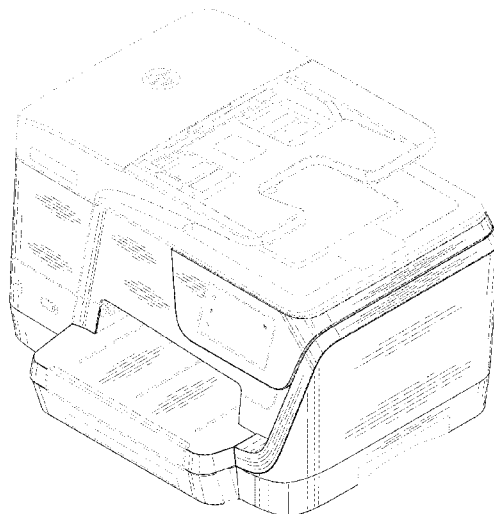
(57) **CLAIM**

The ornamental design for a printer, as shown and described.

DESCRIPTION

FIG. 1 is a front, left, top, perspective view of a printer showing our new design;
FIG. 2 is a front, right, top, perspective view of the printer shown in FIG. 1;
FIG. 3 is a front elevational view of the printer shown in FIG. 1;
FIG. 4 is a rear elevational view of the printer shown in FIG. 1;
FIG. 5 is a left-side elevational view of the printer or shown in FIG. 1;
FIG. 6 is a right-side elevational view of the printer shown in FIG. 1;
FIG. 7 is a top plan view of the printer shown in FIG. 1; and, FIG. 8 is a bottom plan view of the printer shown in FIG. 1. The broken lines shown in the drawings represent portions of the printer that form no part of the claimed design.

1 Claim, 8 Drawing Sheets



(56)

References Cited

U.S. PATENT DOCUMENTS

D718,383	S	*	11/2014	Lo	D18/55
D720,754	S	*	1/2015	Chin	D14/422
D727,417	S	*	4/2015	Huang	D18/55
D755,284	S	*	5/2016	Terenzio	D18/50
D758,486	S	*	6/2016	Nakagawa	D18/55
D765,080	S	*	8/2016	Su	D14/421
D766,245	S	*	9/2016	Kim	D14/421
D769,965	S	*	10/2016	Clark, III	D18/55

* cited by examiner

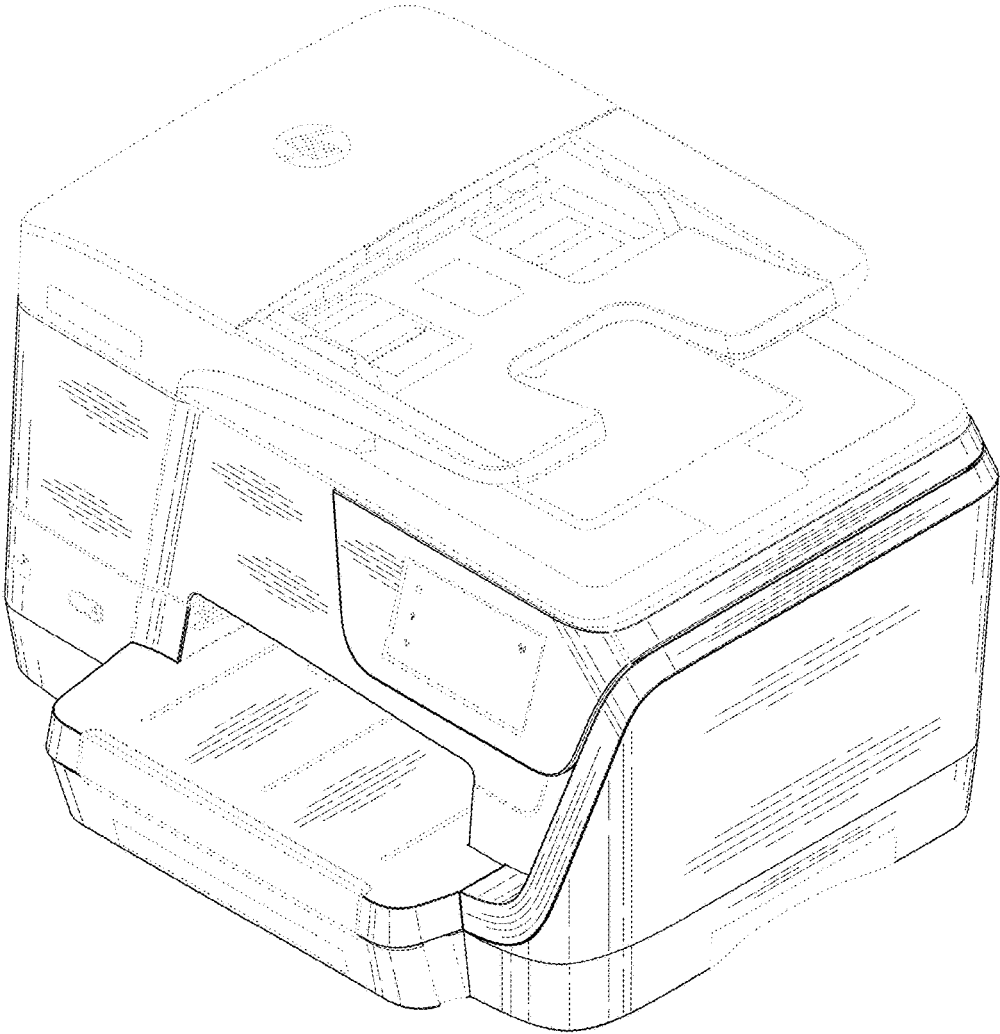


FIG. 1

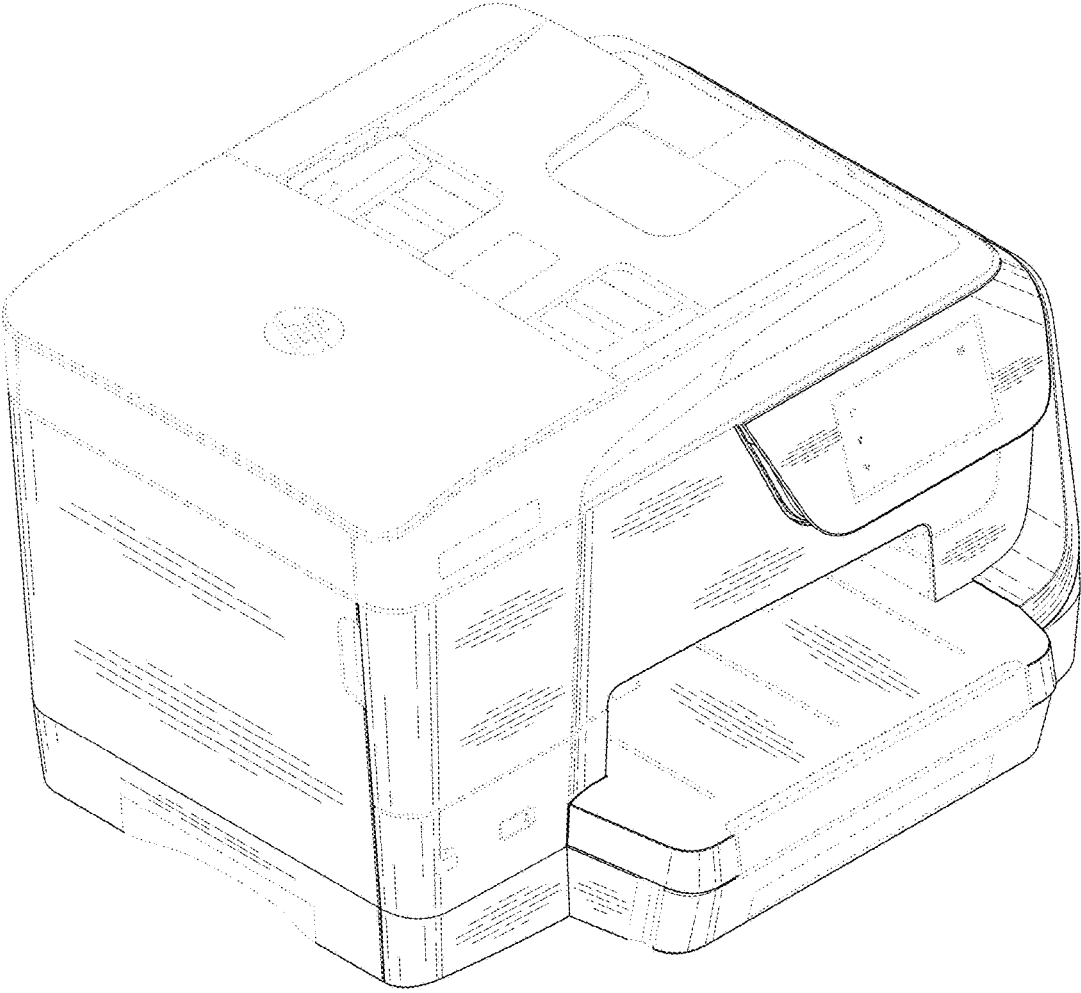


FIG. 2

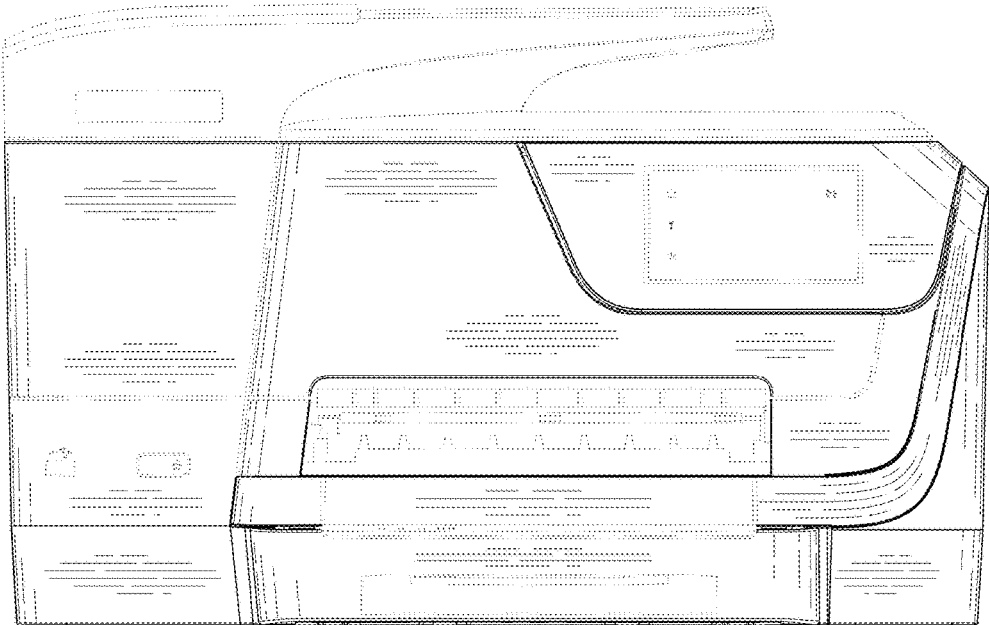


FIG. 3

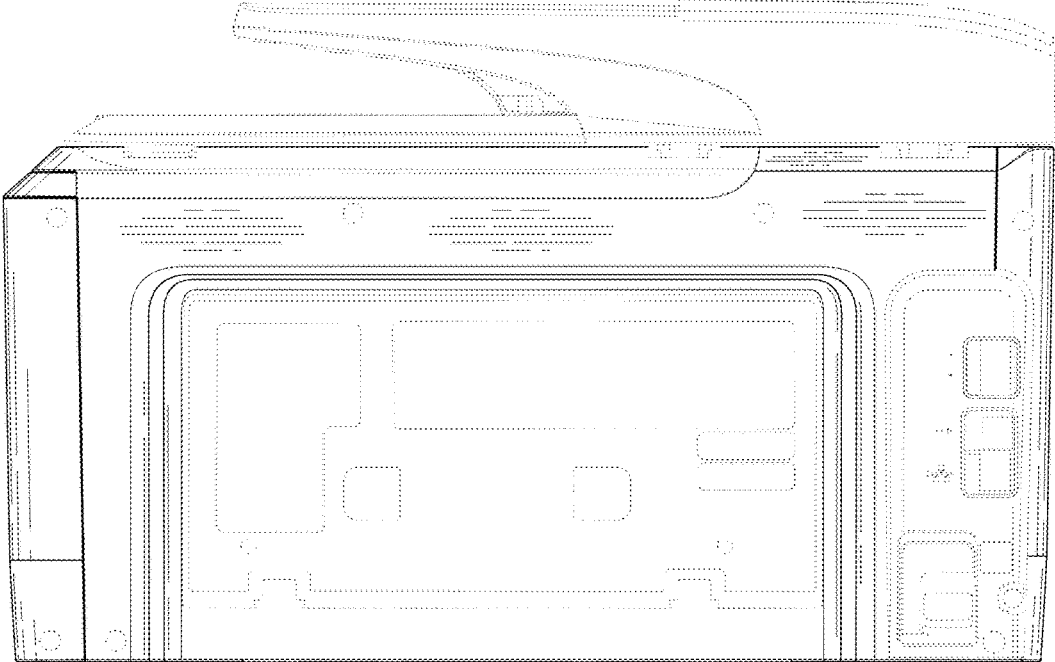


FIG. 4

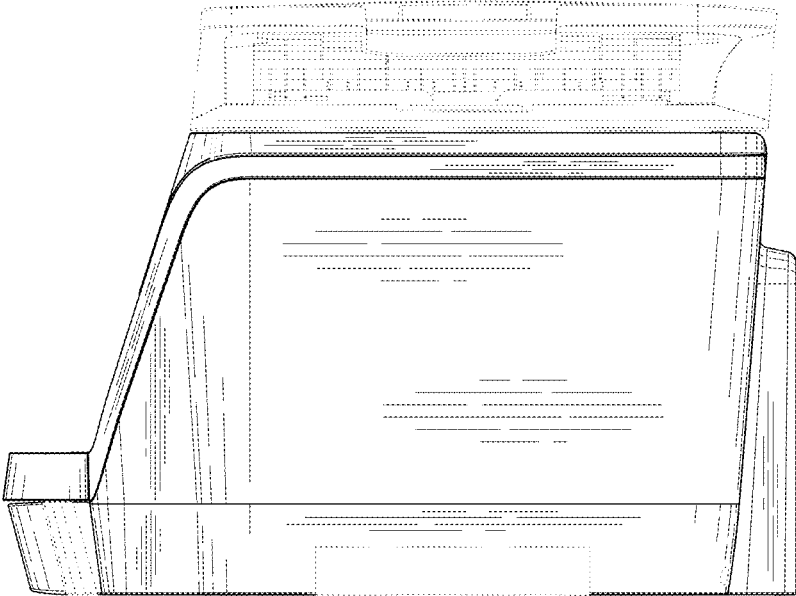


FIG. 5

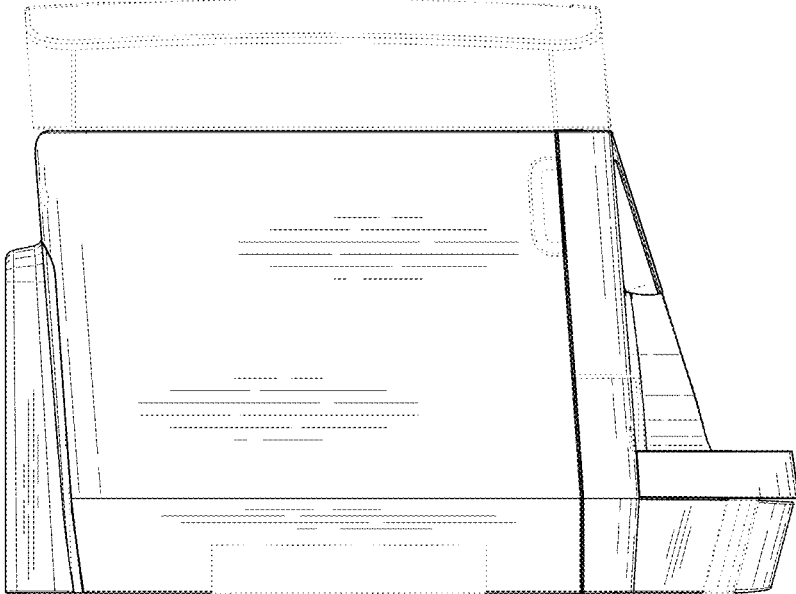


FIG. 6

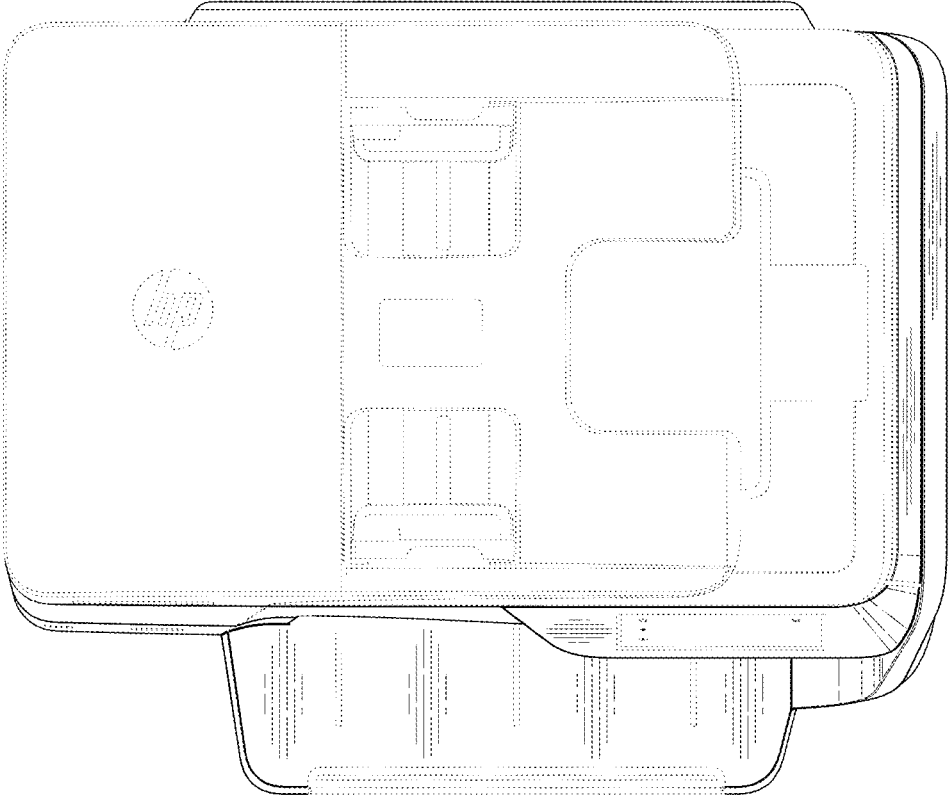


FIG. 7

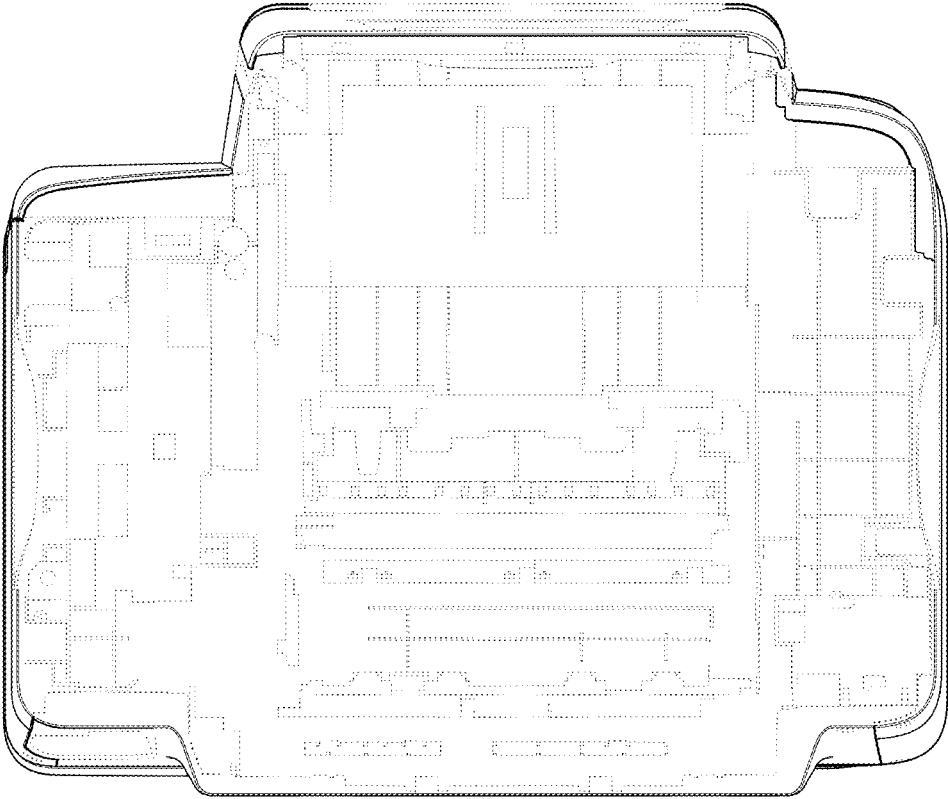


FIG. 8