



US00D967798S

(12) **United States Design Patent**
Liu

(10) **Patent No.:** **US D967,798 S**

(45) **Date of Patent:** **** Oct. 25, 2022**

(54) **GAMING HEADSET**

(71) Applicant: **Shenzhen IPM Biotechnology Co., Ltd.**, Shenzhen (CN)

(72) Inventor: **Shunqi Liu**, Shenzhen (CN)

(73) Assignee: **Shenzhen IPM Biotechnology Co., Ltd.**, Shenzhen (CN)

(**) Term: **15 Years**

(21) Appl. No.: **29/778,980**

(22) Filed: **Apr. 15, 2021**

(51) **LOC (13) Cl.** **14-01**

(52) **U.S. Cl.**
USPC **D14/206; D14/226**

(58) **Field of Classification Search**
USPC D14/206, 226, 205, 372, 225; D29/112;
2/209; 381/380-381, 370, 374, 379, 362
CPC F21V 33/0056; F21V 33/00; H04R 25/00;
H04R 25/02; H04R 1/1066; H04R
1/1016; H04R 5/033; H04R 5/0335;
H04R 11/04; H04R 19/04; H04R 1/1091
See application file for complete search history.

(56) **References Cited**

U.S. PATENT DOCUMENTS

4,273,969	A *	6/1981	Foley	H04M 1/05 379/430
4,420,657	A *	12/1983	Larkin	H04M 1/05 381/189
D342,947	S *	1/1994	Totsuka	D14/205
5,450,496	A *	9/1995	Burris	H04M 1/05 381/381
5,469,505	A *	11/1995	Gathey	H04M 1/05 D14/206
D404,734	S *	1/1999	Andrea	D14/206
D405,786	S *	2/1999	Leiter	D14/206
6,016,347	A *	1/2000	Magnasco	H04R 1/1041 379/430

D431,030	S *	9/2000	Yoon	D14/206
D436,348	S *	1/2001	McGugan	D14/206
D458,247	S *	6/2002	Davies	D14/206
6,560,346	B2 *	5/2003	Ohta	H04R 1/083 381/370
6,625,293	B1 *	9/2003	Nageno	H04R 1/08 181/20
D516,540	S *	3/2006	Beauchemin	D14/192
D531,165	S *	10/2006	Rath	D14/206

(Continued)

FOREIGN PATENT DOCUMENTS

CN	305306945	*	8/2019
CN	306078497	*	9/2020

(Continued)

Primary Examiner — Paula Allen Greene

(74) *Attorney, Agent, or Firm* — ScienBiziP, P.C.

(57) **CLAIM**

The ornamental design for a gaming headset, as shown and described.

DESCRIPTION

FIG. 1 is a front, left, and top perspective view of a gaming headset, showing my design.

FIG. 2 is a rear, right, and bottom perspective view thereof.

FIG. 3 is a front elevation view thereof.

FIG. 4 is a rear elevation view thereof.

FIG. 5 is a left side elevation view thereof.

FIG. 6 is a right side elevation view thereof.

FIG. 7 is a top plan view thereof.

FIG. 8 is a bottom plan view thereof; and,

FIG. 9 is a partial enlarged view of an area labeled 9 in FIG. 1 comprising a curved part.

The dot dash dot broken lines encircling a portion of the gaming headset in FIG. 1 and illustrated in the enlarged view of FIG. 9 form no part of the claimed design.

1 Claim, 9 Drawing Sheets



(56)

References Cited

U.S. PATENT DOCUMENTS

D535,975 S * 1/2007 Brennwald D14/206
 D592,639 S * 5/2009 Kuh D14/205
 D601,543 S * 10/2009 Bentley D14/206
 D649,528 S * 11/2011 Park D14/205
 D651,586 S * 1/2012 Lee D14/205
 D660,823 S * 5/2012 Hardi D14/205
 D677,648 S * 3/2013 Lee D14/206
 D680,516 S * 4/2013 Lee D14/205
 D685,763 S * 7/2013 Lee D14/205
 D691,582 S * 10/2013 Nguyen H04S 1/005
 D697,896 S * 1/2014 Lee D14/205
 D699,216 S * 2/2014 Bonahoom D14/206
 D713,375 S * 9/2014 Dedinas D14/206
 D716,256 S * 10/2014 Ang D14/205
 D716,762 S * 11/2014 Greve D14/206
 D733,677 S * 7/2015 Ling D14/206
 D734,736 S * 7/2015 Jin D14/206
 D740,256 S * 10/2015 Carr D14/206
 D741,286 S * 10/2015 Brennwald D14/205
 D745,860 S * 12/2015 Logan D14/206
 D746,793 S * 1/2016 Logan D14/206
 D758,337 S * 6/2016 Szymanski D14/205
 D791,734 S * 7/2017 Ou D14/206
 D820,813 S * 6/2018 Sharp D14/206
 D824,362 S * 7/2018 Probst D14/206

10,015,580 B1 * 7/2018 Bruno H04R 1/1066
 D826,900 S * 8/2018 Jensen D14/206
 D841,620 S * 2/2019 Liu D14/206
 D856,969 S * 8/2019 Tang D14/206
 D856,970 S * 8/2019 Tang D14/206
 D856,971 S * 8/2019 Tang D14/206
 D857,657 S * 8/2019 Skinner D14/206
 D880,450 S * 4/2020 Liu D14/206
 D907,004 S * 1/2021 Zhou D14/206
 D909,337 S * 2/2021 Liu D14/206
 D931,831 S * 9/2021 Liu D14/206
 D935,442 S * 11/2021 Liu D14/206
 D941,803 S * 1/2022 He D14/206
 2011/0194721 A1 * 8/2011 Schmidt H04M 1/05
 2014/0341415 A1 * 11/2014 Camello H04R 1/323
 2015/0125023 A1 * 5/2015 Blonder H04R 1/1066
 2017/0019728 A1 * 1/2017 Cochran H04R 1/1091

FOREIGN PATENT DOCUMENTS

CN 306402149 * 3/2021
 CN 306432010 * 4/2021
 CN 306721843 * 7/2021
 CN 306824646 * 9/2021
 CN 307141859 * 3/2022

* cited by examiner

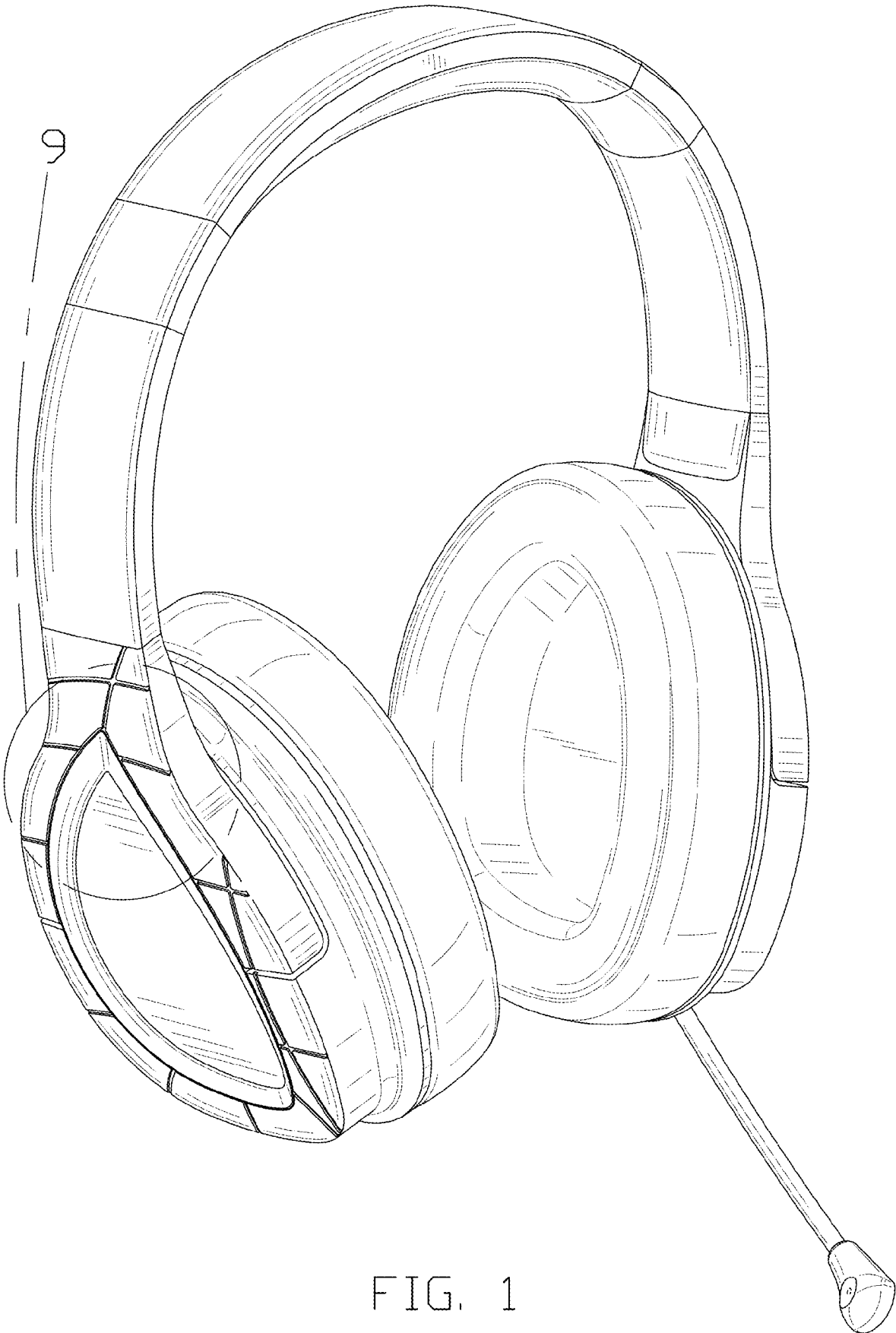


FIG. 1



FIG. 2



FIG. 3



FIG. 4

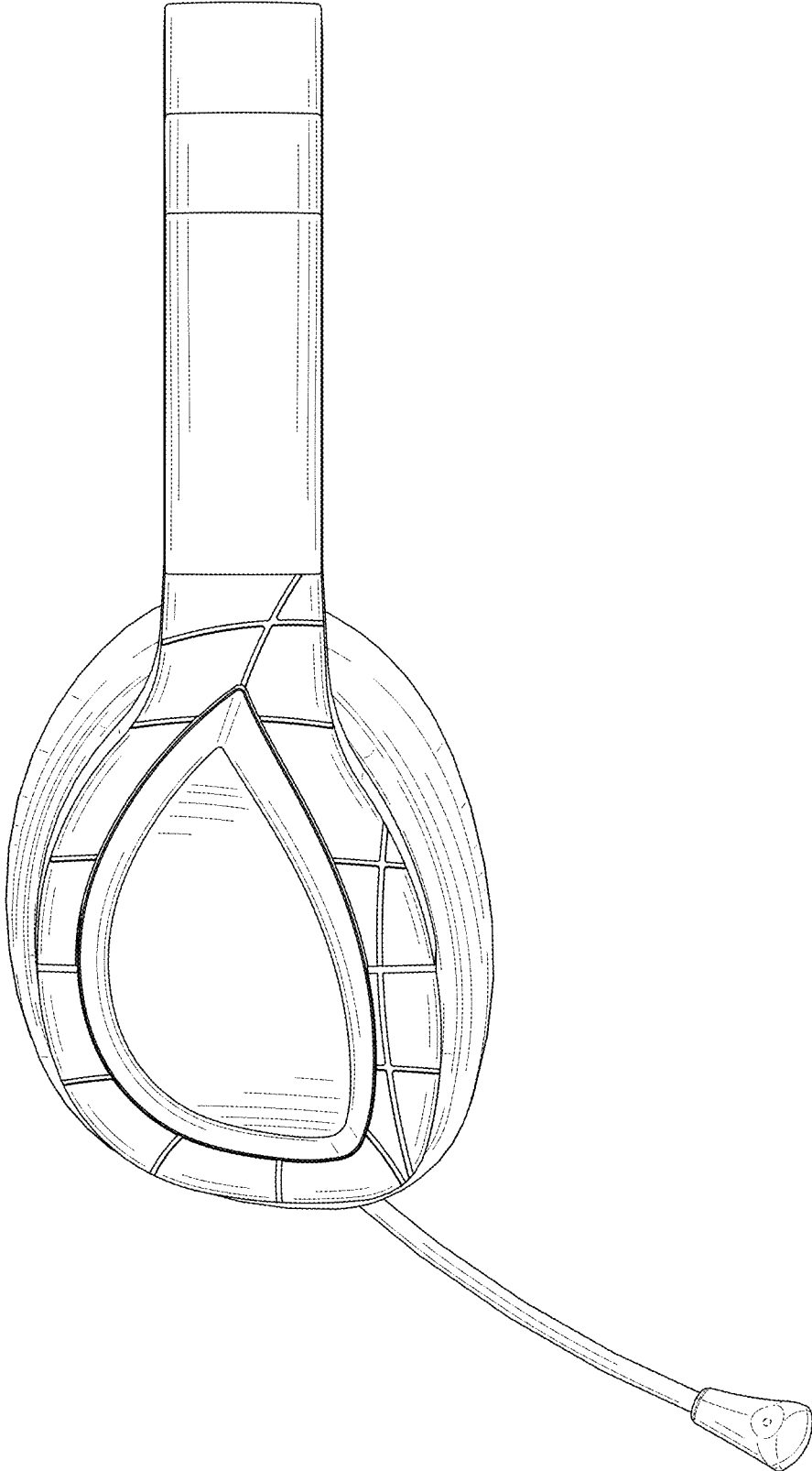


FIG. 5

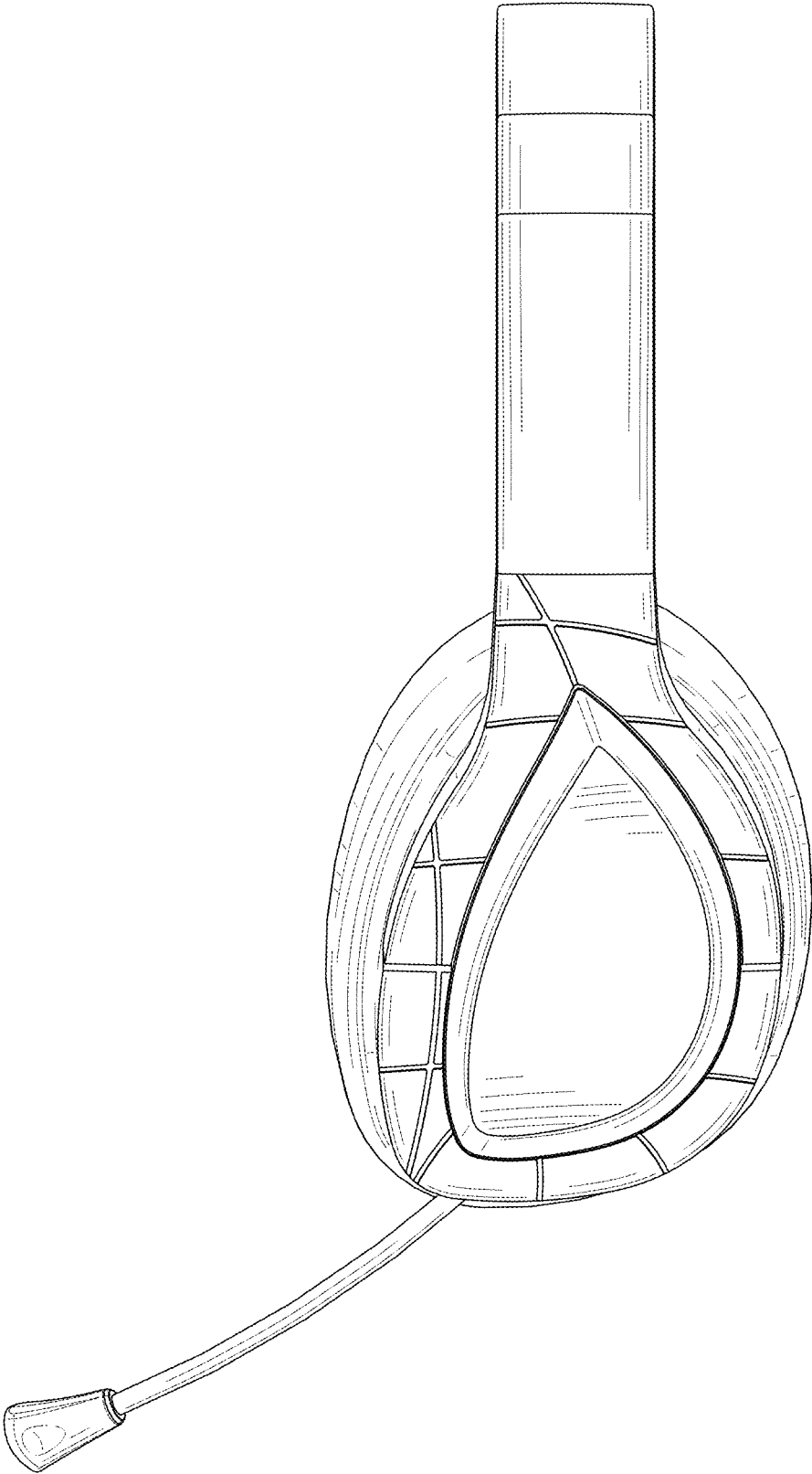


FIG. 6

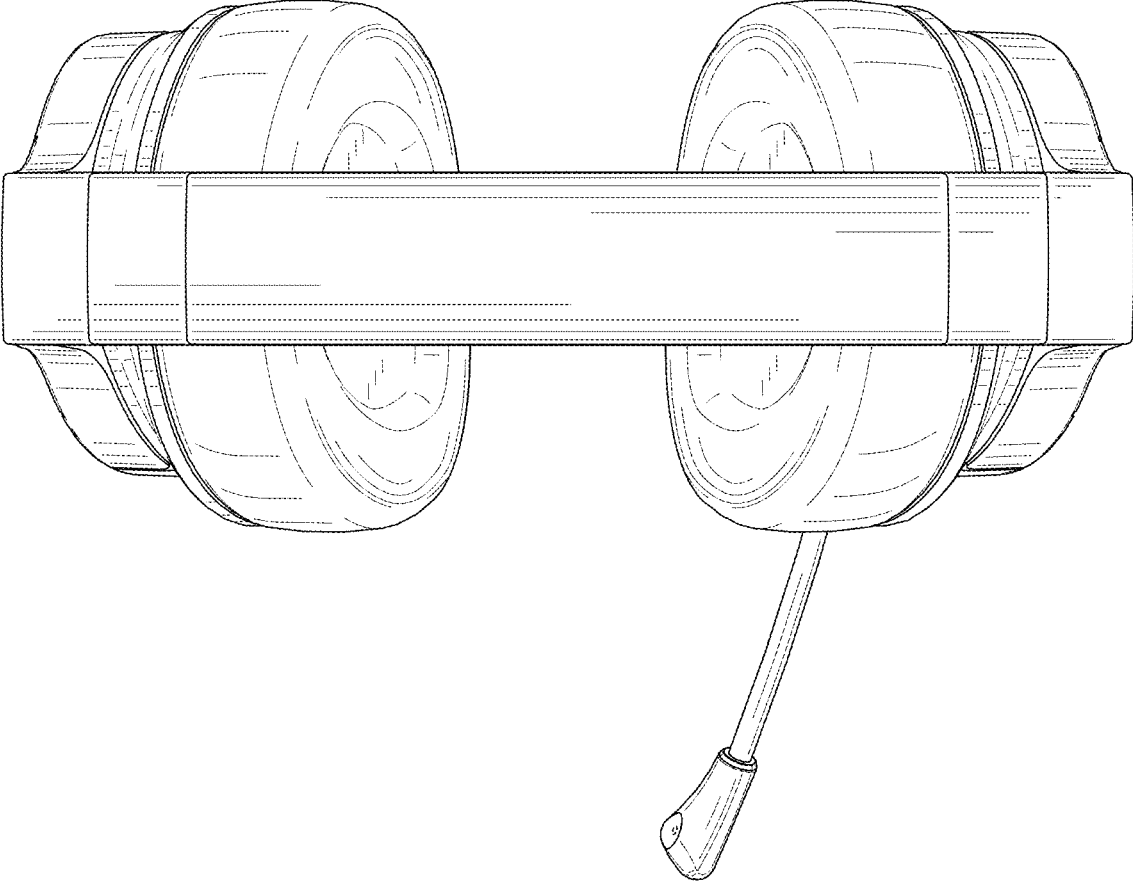


FIG. 7

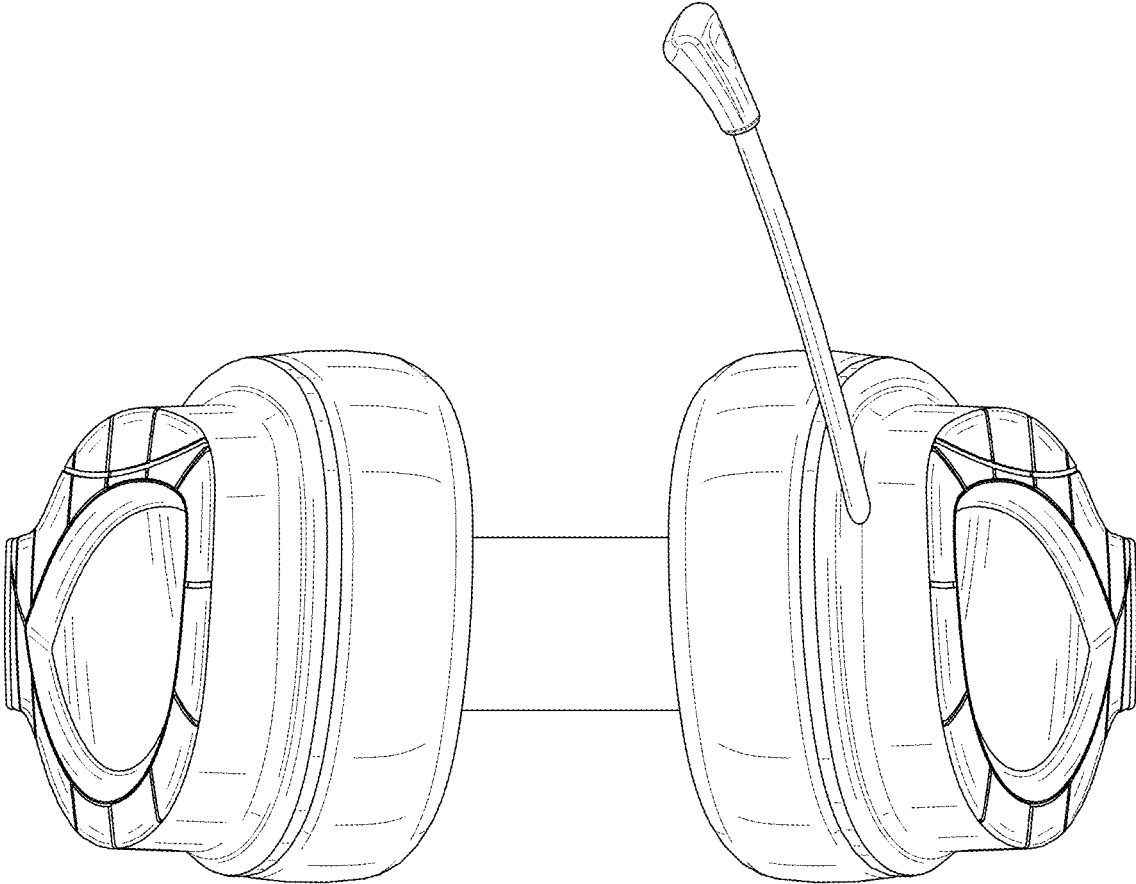


FIG. 8

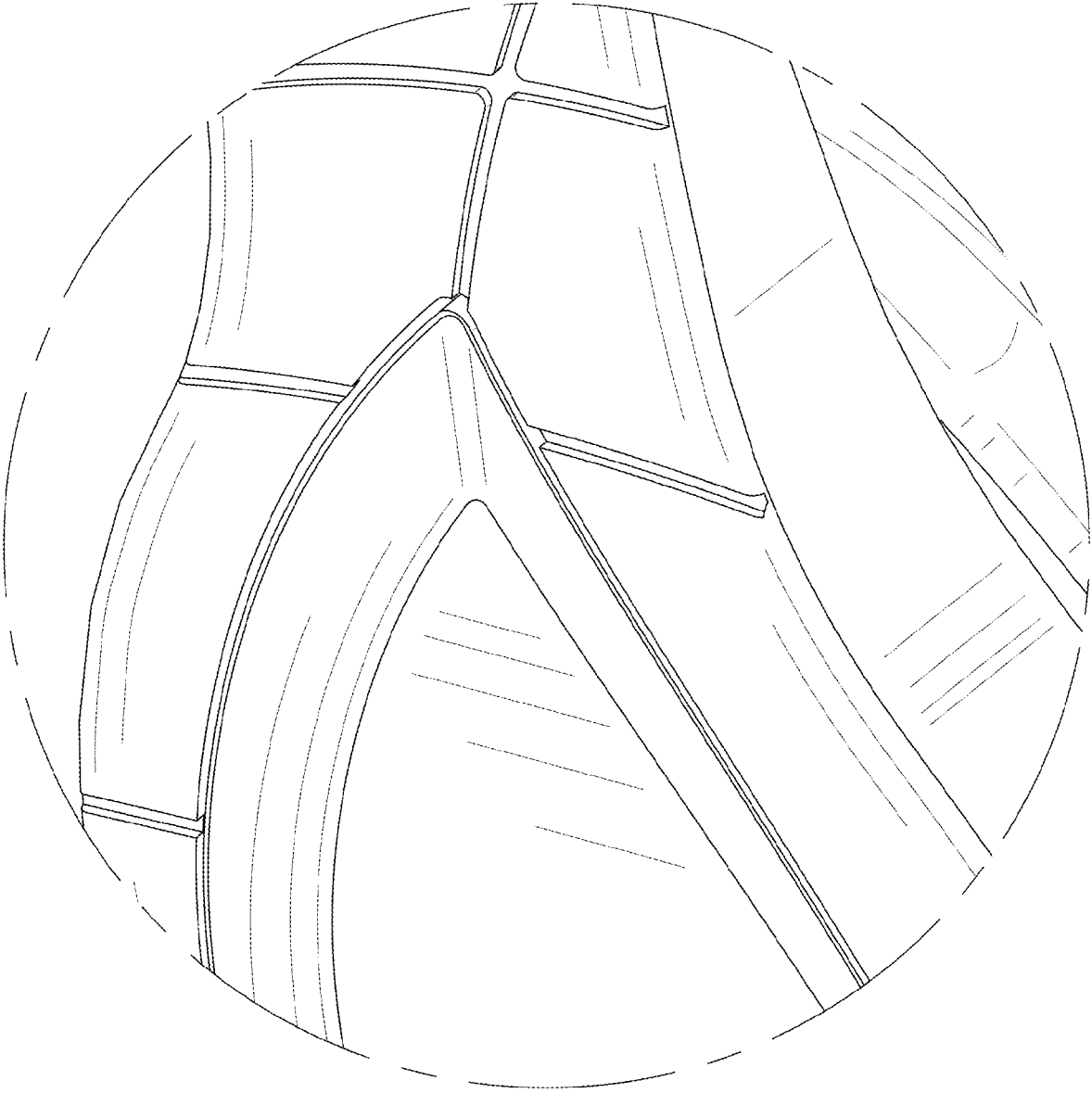


FIG. 9