



US0D1029781S

(12) **United States Design Patent**
Seo et al.

(10) **Patent No.:** US D1,029,781 S
(45) **Date of Patent:** ** Jun. 4, 2024

(54) **ELECTRONIC DEVICE**
(71) Applicant: **Samsung Electronics Co., Ltd.**,
Suwon-si (KR)
(72) Inventors: **Jooho Seo**, Suwon-si (KR); **Donghun Kim**, Suwon-si (KR)
(73) Assignee: **SAMSUNG ELECTRONICS CO., LTD.**, Suwon-si (KR)
(**) Term: **15 Years**

D656,475 S * 3/2012 Han D14/138 G
D722,583 S * 2/2015 Kim D14/138 G
D749,538 S * 2/2016 Ishida D14/138 G
D801,296 S * 10/2017 Kim D14/138 G
D804,443 S * 12/2017 Kang D14/138 G
D842,833 S * 3/2019 Seo D14/345
D857,644 S * 8/2019 Gagne-Keats D14/138 G
D859,341 S * 9/2019 Kang D14/345
D902,898 S * 11/2020 Seo D14/248
D902,899 S * 11/2020 Seo D14/248
D922,974 S * 6/2021 Bae D14/345
D951,896 S * 5/2022 Kim D14/138 AB
D960,878 S * 8/2022 Seo D14/248

(Continued)

(21) Appl. No.: **29/841,990**

FOREIGN PATENT DOCUMENTS

(22) Filed: **Jun. 9, 2022**

WO D222230-001 * 6/2023
WO D222230-002 * 6/2023
WO D222230-003 * 6/2023

(30) **Foreign Application Priority Data**

Dec. 10, 2021 (KR) 30-2021-0059748

Primary Examiner — Bridget L Eland
(74) *Attorney, Agent, or Firm* — McAndrews Held & Malloy, Ltd.

(51) **LOC (14) CL.** **14-03**

(52) **U.S. CL.**
USPC **D14/248**

(57) **CLAIM**

(58) **Field of Classification Search**
USPC D14/138 G, 138 AD, 138 AB, 248, 341, D14/345, 439, 432, 371, 374, 138 R, D14/138 AA, 138 AC, 138 C
CPC H04M 1/0202; H04M 1/0235; H04M 1/0237; H04M 1/0239; H04M 1/0266; H04M 1/0268; H04M 1/027; H04M 1/0295; H04M 1/02; H04M 1/0279; H04M 1/0283
See application file for complete search history.

The ornamental design for an electronic device, as shown and described.

DESCRIPTION

(56) **References Cited**

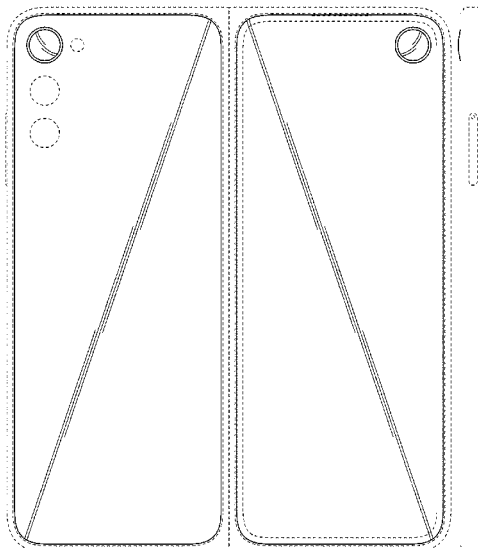
U.S. PATENT DOCUMENTS

D491,156 S * 6/2004 Kawakami D14/138 G
D572,685 S * 7/2008 Peng D14/138 G
D578,985 S * 10/2008 Kim D14/138 AC
D590,793 S * 4/2009 Kim D14/138 AC
D611,025 S * 3/2010 Yu D14/138 G

FIG. 1 is a rear perspective view of an electronic device showing our new design;
FIG. 2 is a front elevation view thereof;
FIG. 3 is a rear elevation view thereof;
FIG. 4 is a left side elevation view thereof;
FIG. 5 is a right side elevation view thereof;
FIG. 6 is a top plan view thereof;
FIG. 7 is a bottom plan view thereof; and,
FIG. 8 is a front perspective view thereof.

The evenly-dashed broken lines in the drawings illustrate portions of the electronic device that form no part of the claimed design.

1 Claim, 6 Drawing Sheets



(56)

References Cited

U.S. PATENT DOCUMENTS

D962,927	S	*	9/2022	Song	D14/341
D963,604	S	*	9/2022	Zhang	D14/138 AD
D969,811	S	*	11/2022	Eirinberg	D14/374
D971,194	S	*	11/2022	Song	D14/248
D986,203	S	*	5/2023	Lee	D14/138 AB
D986,845	S	*	5/2023	Lee	D14/138 AB
D1,008,992	S	*	12/2023	Lee	D14/138 AD
2023/0354524	A1	*	11/2023	Kim	H05K 5/0226

* cited by examiner

FIG. 1

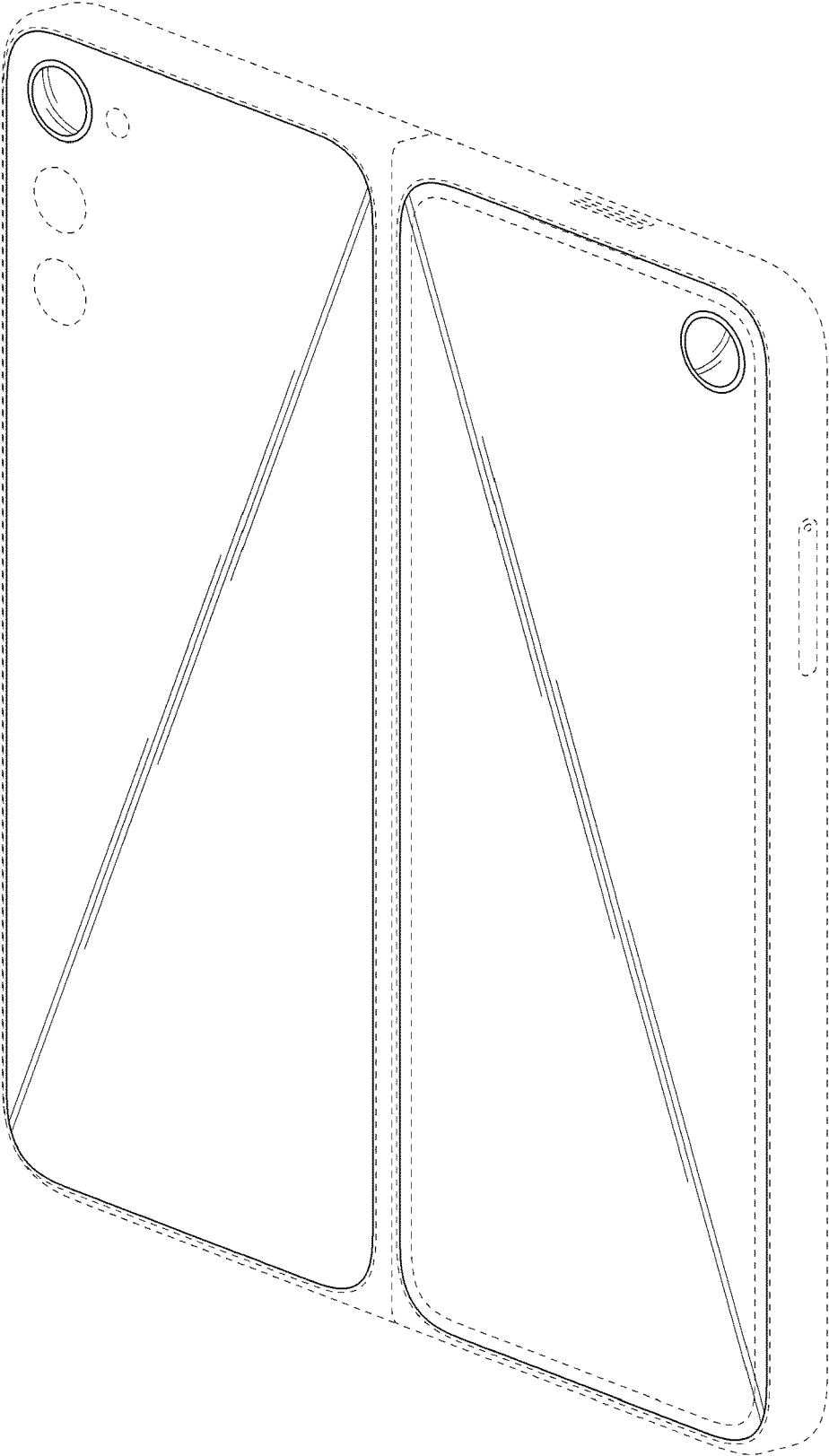


FIG.2

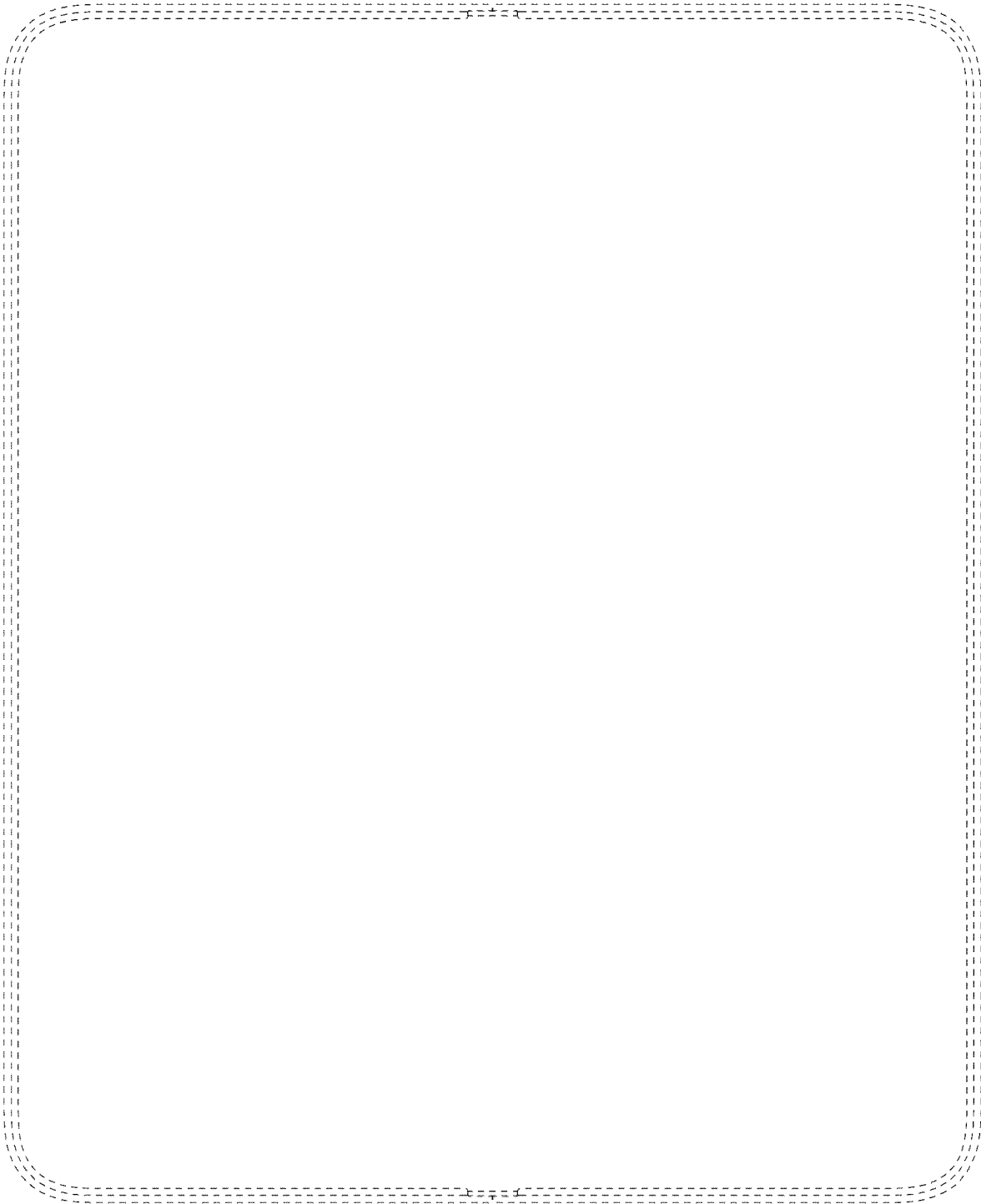


FIG.3

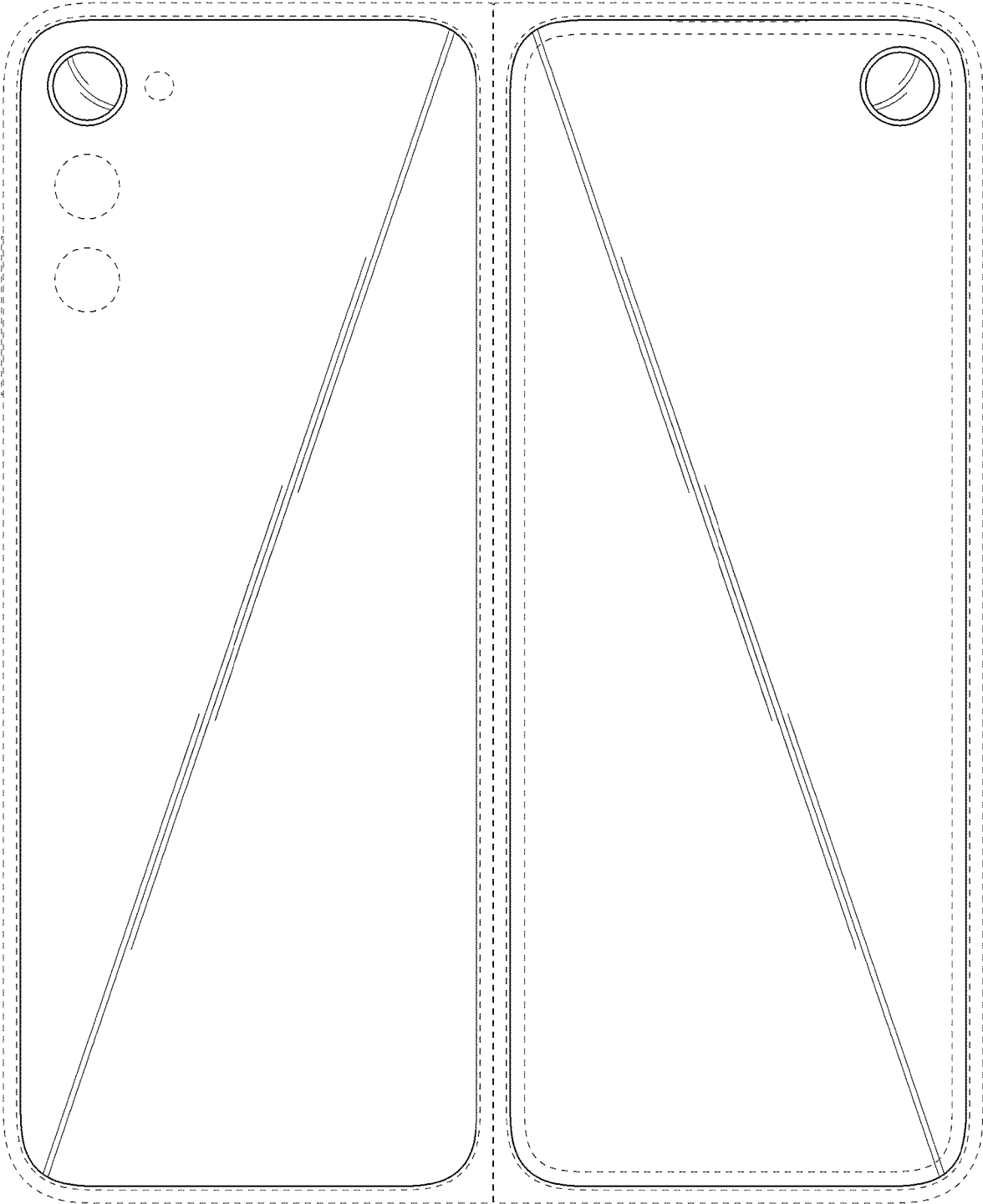


FIG.4



FIG.5

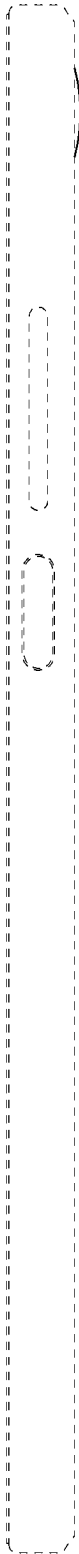


FIG.6



FIG.7

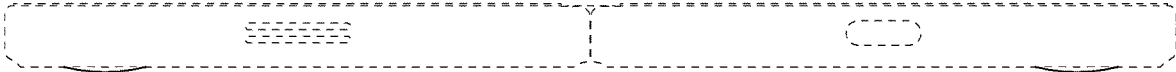


FIG.8

