

United States Patent [19]

Hughes et al.

[11] Patent Number: Des. 315,612

[45] Date of Patent: ** Mar. 19, 1991

[54] LUMINAIRE

[75] Inventors: James S. Hughes, Columbus; Robert L. Ewing, Granville; Herbert A. Fouke; Bonnie J. Brohard, both of Newark, all of Ohio

[73] Assignee: Holophane Company, Inc., Newark, Ohio

[**] Term: 14 Years

[21] Appl. No.: 101,476

[22] Filed: Sep. 28, 1987

[52] U.S. Cl. D26/85

[58] Field of Search D26/72, 80-92; 362/362, 363, 404-408, 147, 432

[56]

References Cited

U.S. PATENT DOCUMENTS

D. 240,320	6/1976	Anderson, Jr.	D26/85
D. 268,876	5/1983	Leithauser, Jr.	D26/72
D. 269,639	7/1983	Eargle, Jr. et al.	D26/88
D. 294,976	3/1988	Ewing	D26/85
2,220,298	11/1940	Stair et al.	362/408 X
4,286,313	8/1981	Quiogue	362/404 X

Primary Examiner—Susan J. Lucas
Attorney, Agent, or Firm—Cornelius P. Quinn

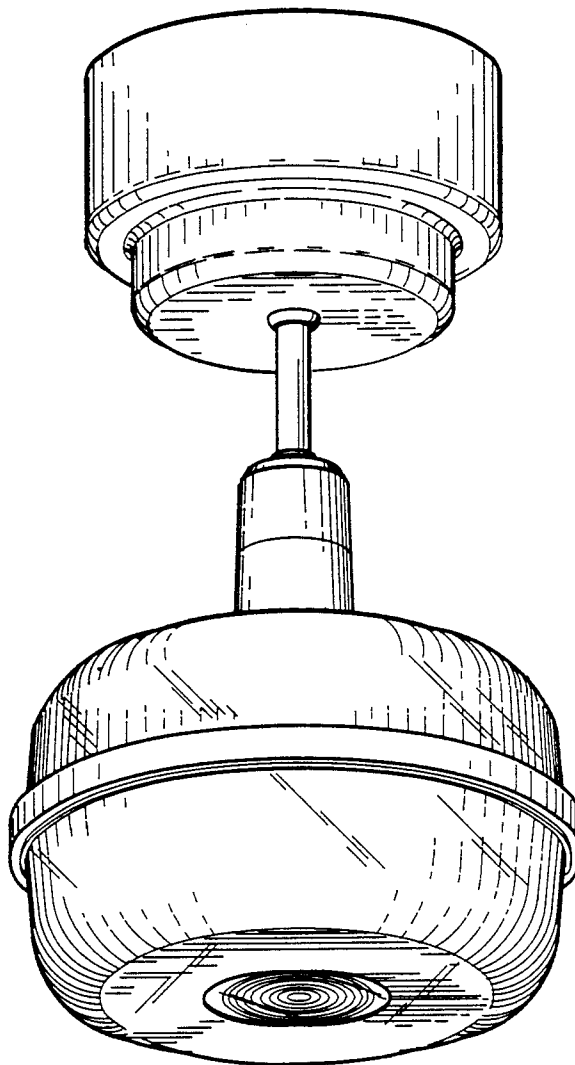
[57]

CLAIM

The ornamental design for a luminaire, as shown and described.

DESCRIPTION

FIG. 1 is a top, front, perspective view of a luminaire showing our new design;
FIG. 2 is a bottom, rear, perspective view thereof;
FIG. 3 is a side elevational view thereof, the opposite side being a mirror image.



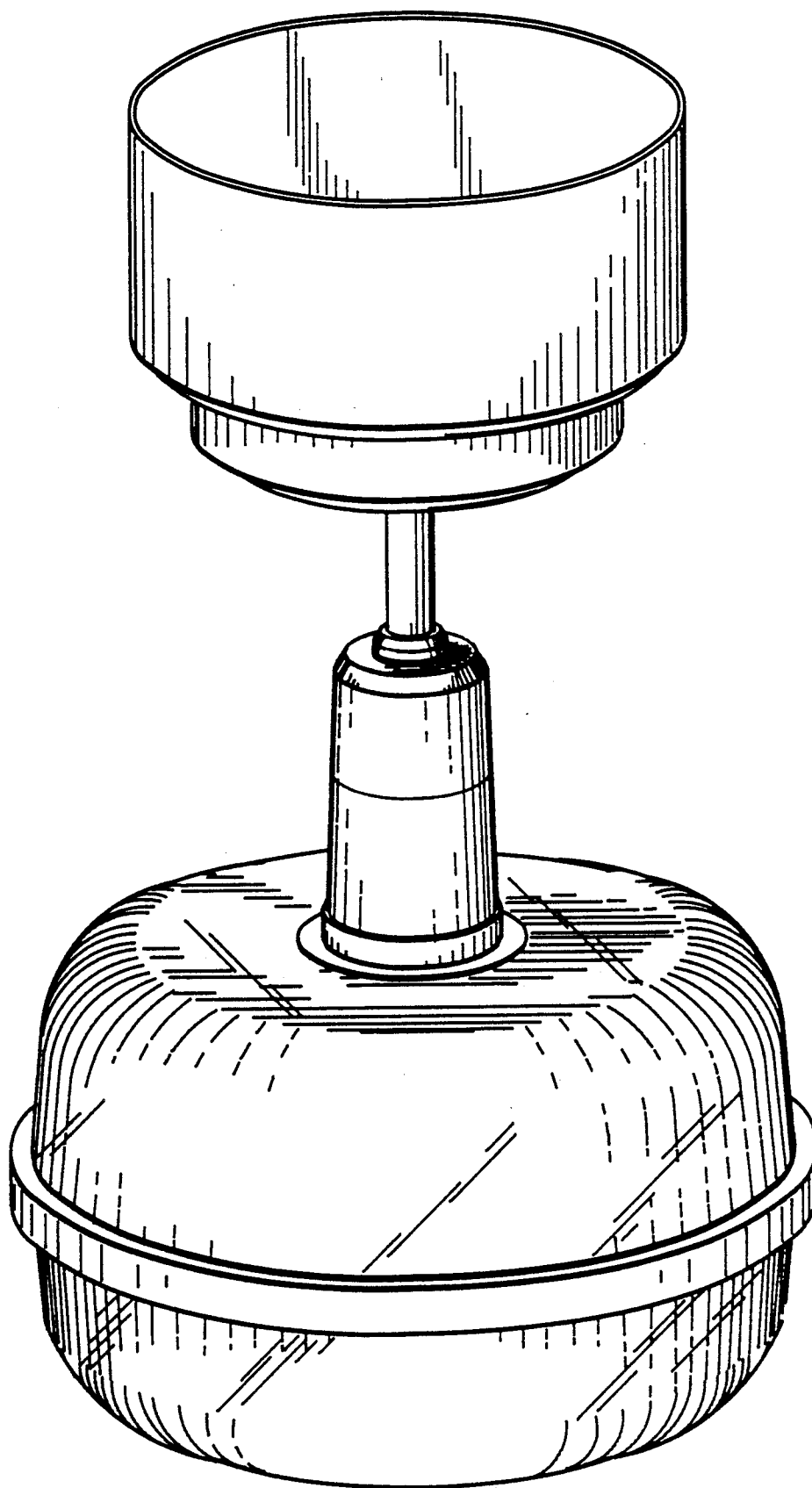


Fig. 1

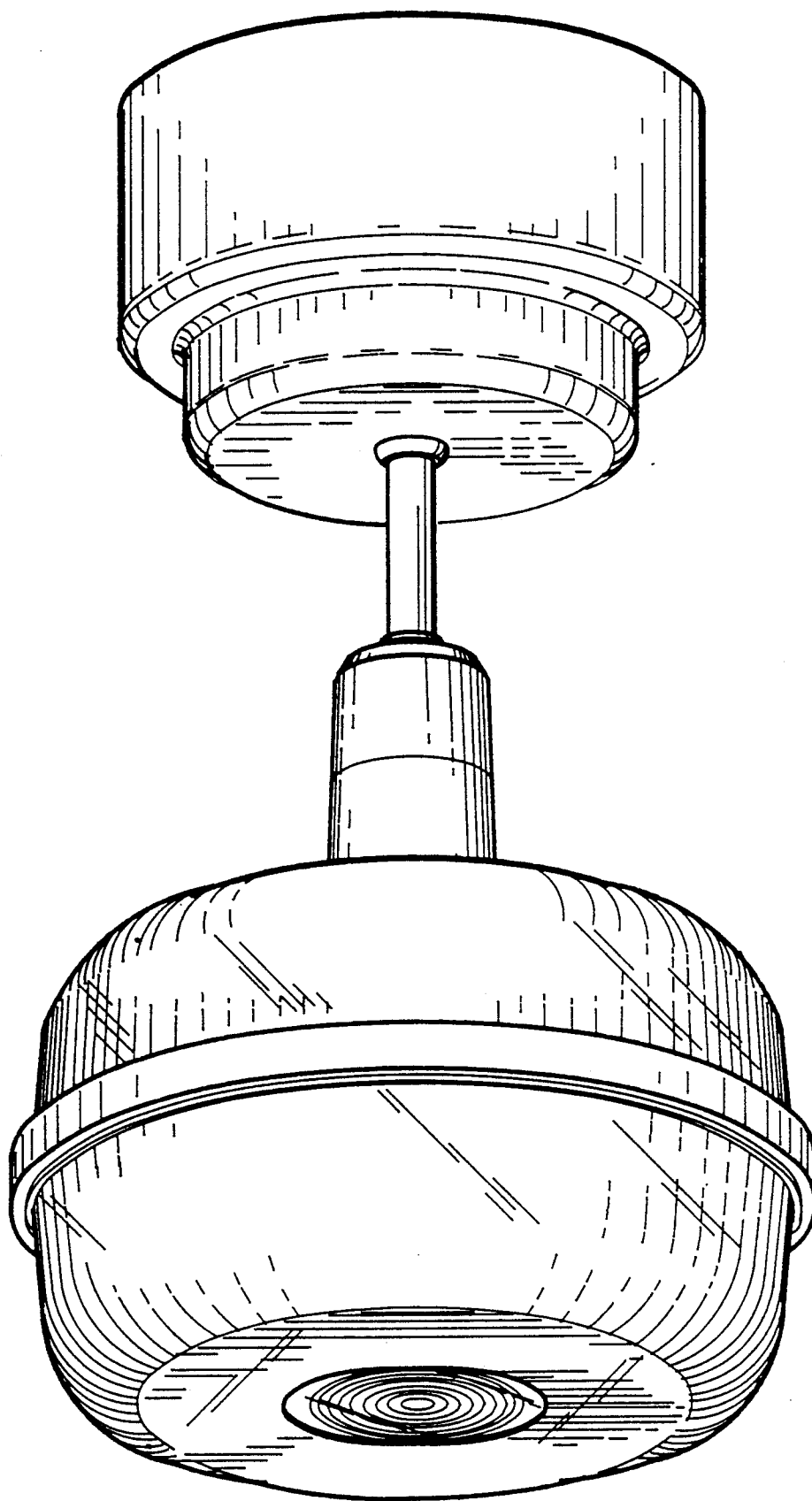


Fig. 2

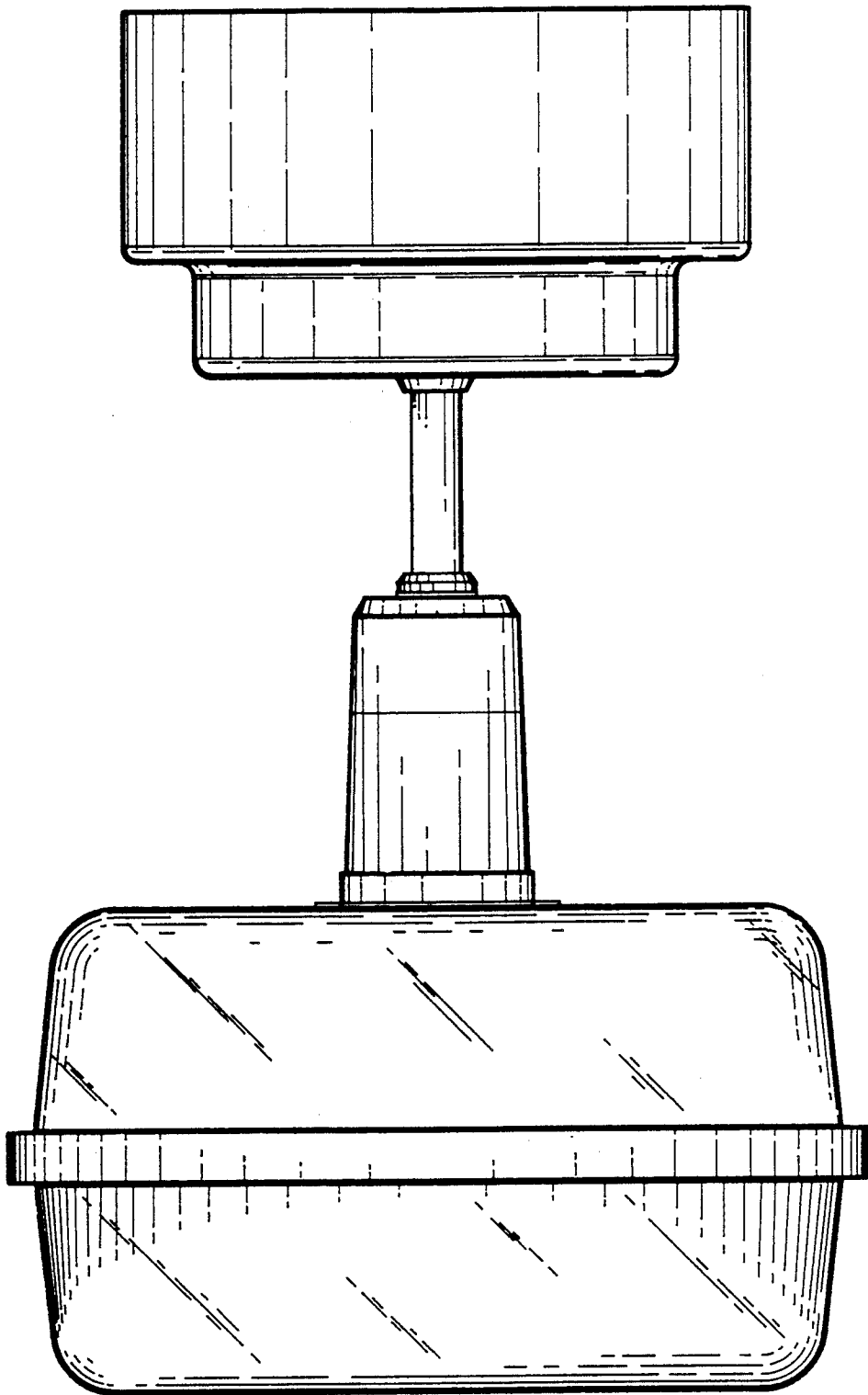


Fig. 3