



US00D925130S

(12) **United States Design Patent** (10) **Patent No.:** **US D925,130 S**
Williams (45) **Date of Patent:** **** Jul. 13, 2021**

(54) **WELDING HOOD**

Primary Examiner — Robert A Delehanty

(71) Applicant: **Richard Nelson Williams**, Washington, PA (US)

(74) *Attorney, Agent, or Firm* — The Webb Law Firm

(72) Inventor: **Richard Nelson Williams**, Washington, PA (US)

(57) **CLAIM**

(**) Term: **15 Years**

The ornamental design for a welding hood, as shown and described.

(21) Appl. No.: **29/738,775**

(22) Filed: **Jun. 19, 2020**

DESCRIPTION

(51) **LOC (13) Cl.** **29-02**

FIG. 1 is an upper left front perspective view of a welding hood showing my new design in accordance with a first embodiment of the present invention;

(52) **U.S. Cl.**

USPC **D29/110**

FIG. 2 is an upper rear right perspective view thereof;

(58) **Field of Classification Search**

USPC D29/122, 109–112

CPC A61F 9/06

See application file for complete search history.

FIG. 3 is a top view thereof;

FIG. 4 is a bottom view thereof;

FIG. 5 is a right side elevation view thereof;

FIG. 6 is a left side elevation view thereof;

FIG. 7 is a front elevation view thereof;

FIG. 8 is a rear elevation view thereof;

FIG. 9 is an upper right front perspective view of a welding hood showing my new design in accordance with a second embodiment of the present invention;

FIG. 10 is an upper right rear perspective view thereof;

FIG. 11 is a top view thereof;

FIG. 12 is a bottom view thereof;

FIG. 13 is a right side elevation view thereof;

FIG. 14 is a left side elevation view thereof;

FIG. 15 is a front elevation view thereof in an optional condition of use; and,

FIG. 16 is a right side elevation view thereof in an optional condition of use.

The portions of the welding hood shown in broken lines form no part of the claimed design.

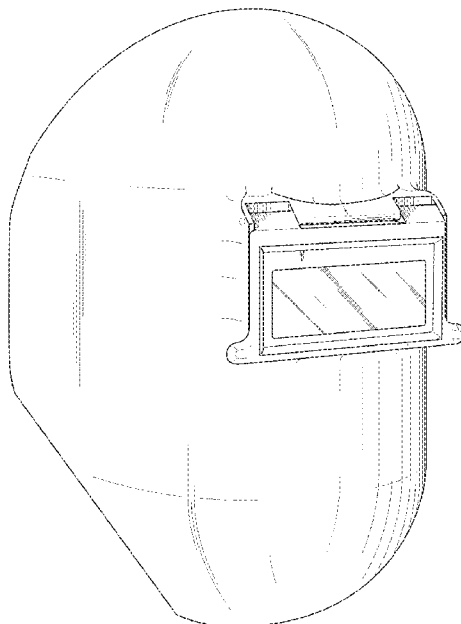
(56) **References Cited**

U.S. PATENT DOCUMENTS

2,410,256	A *	10/1946	Anderson	A61F 9/061 2/8.3
D249,827	S *	10/1978	Rieppel	D29/110
D264,891	S *	6/1982	Rosenius	D29/110
D308,266	S *	5/1990	Van Wyk	D29/110
D366,540	S *	1/1996	Elias	D29/110
6,008,466	A *	12/1999	Hosoda	A61F 9/06 219/121.62
6,230,327	B1 *	5/2001	Briand	A61F 9/06 2/8.1
6,507,954	B1 *	1/2003	Sanchez	A61F 9/06 2/15
7,346,972	B2 *	3/2008	Inget	A61F 9/06 2/8.2
2020/0397615	A1 *	12/2020	Williams	A61F 9/06

* cited by examiner

1 Claim, 10 Drawing Sheets



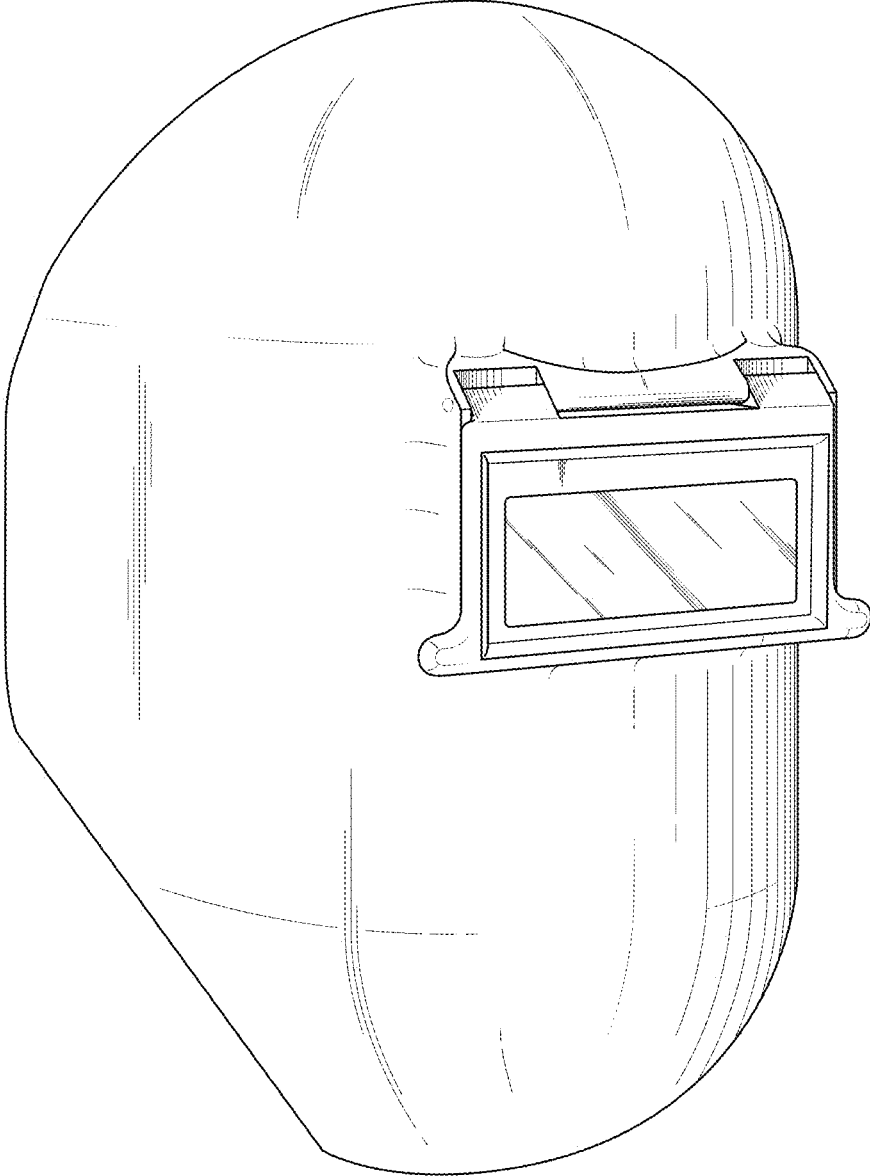


FIG. 1

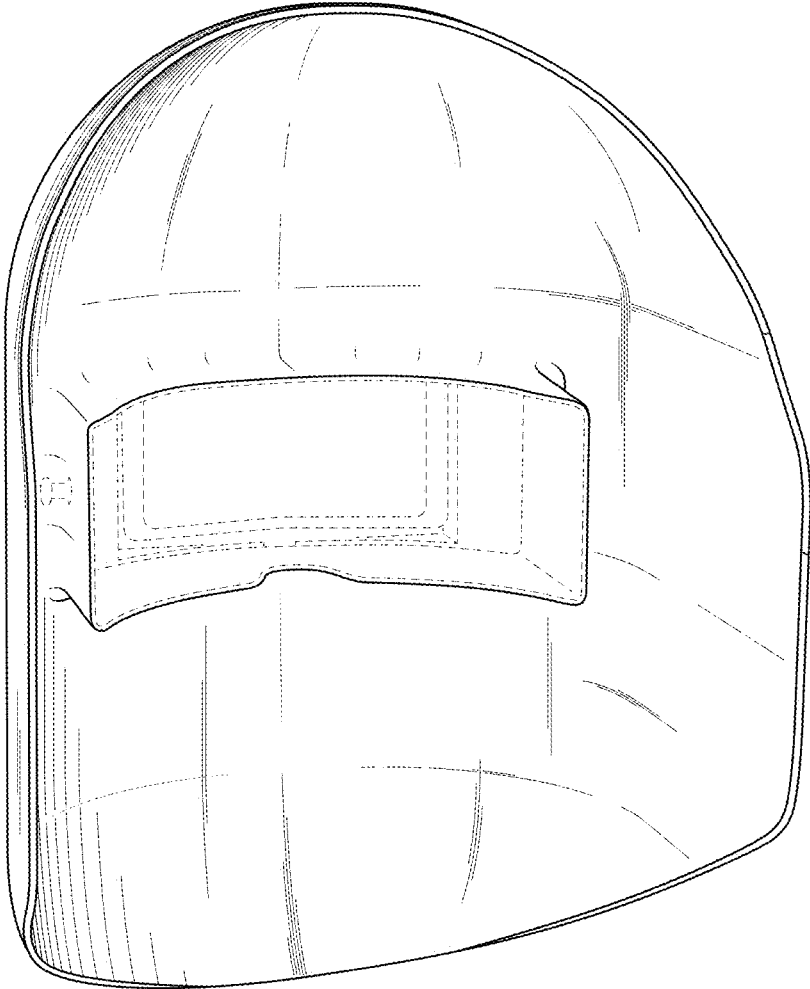


FIG. 2

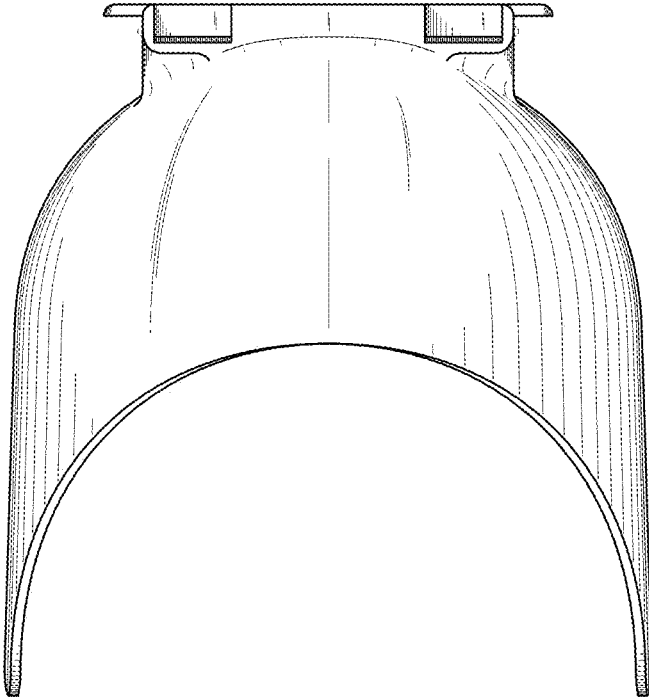


FIG. 3

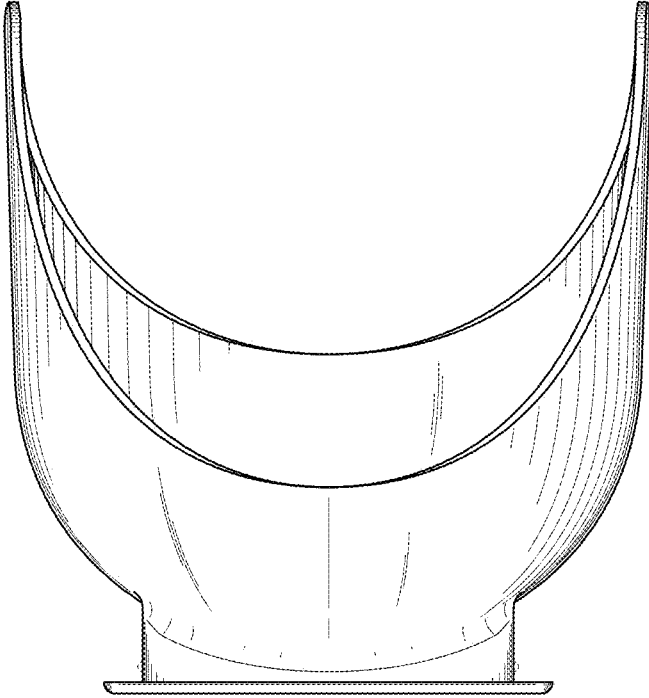


FIG. 4

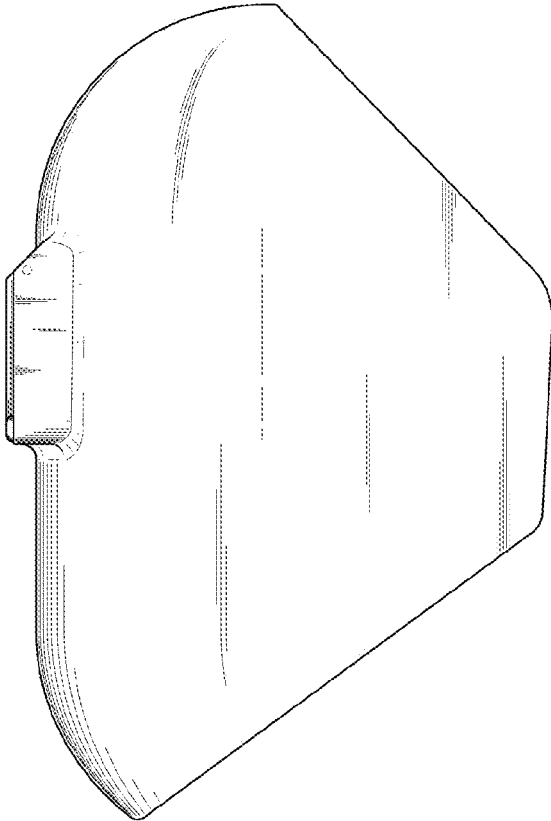


FIG. 5

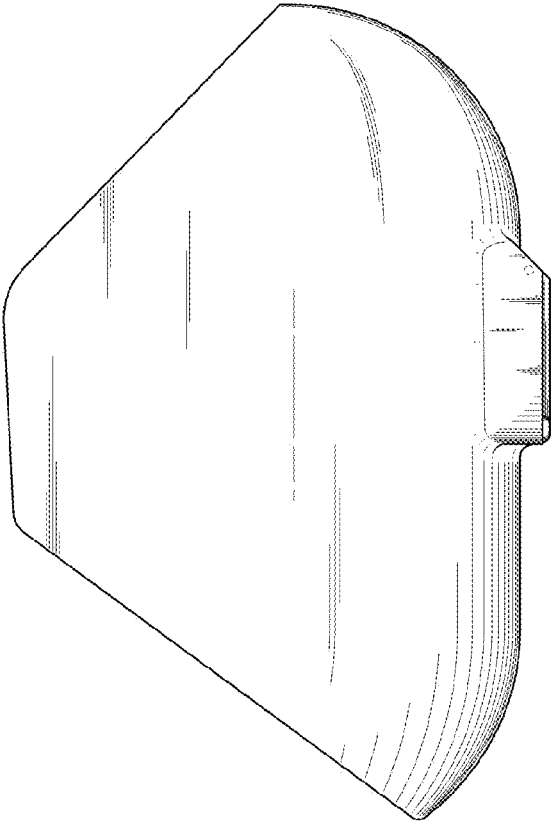


FIG. 6

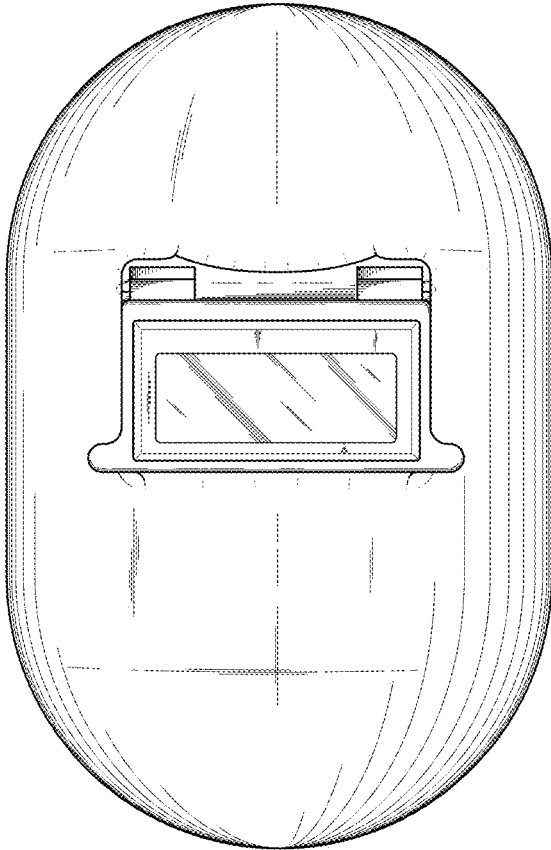


FIG. 7

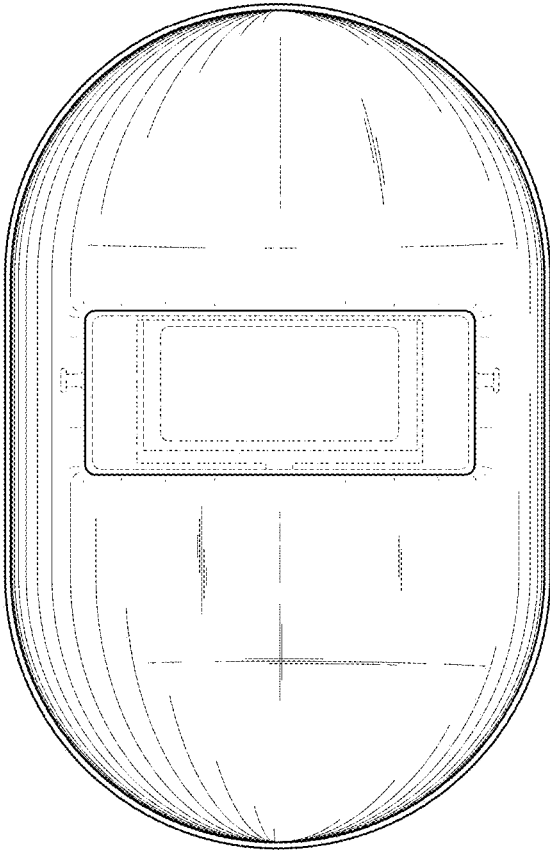


FIG. 8

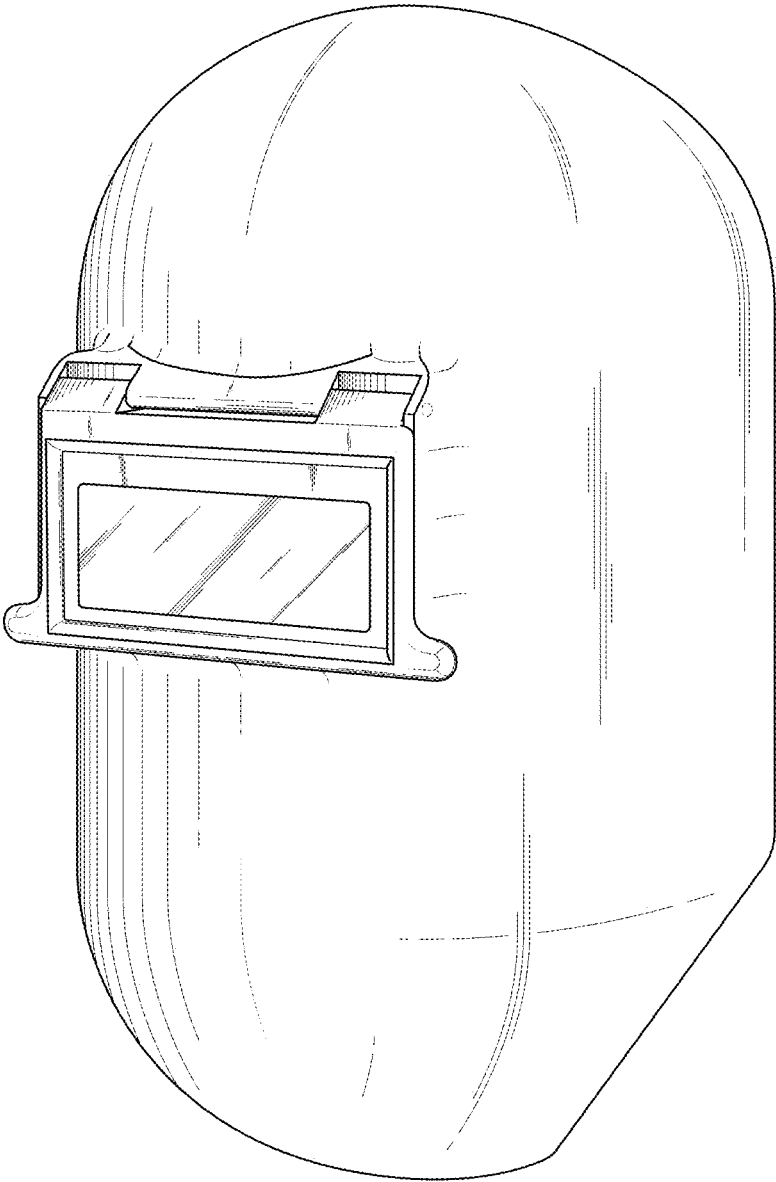


FIG. 9

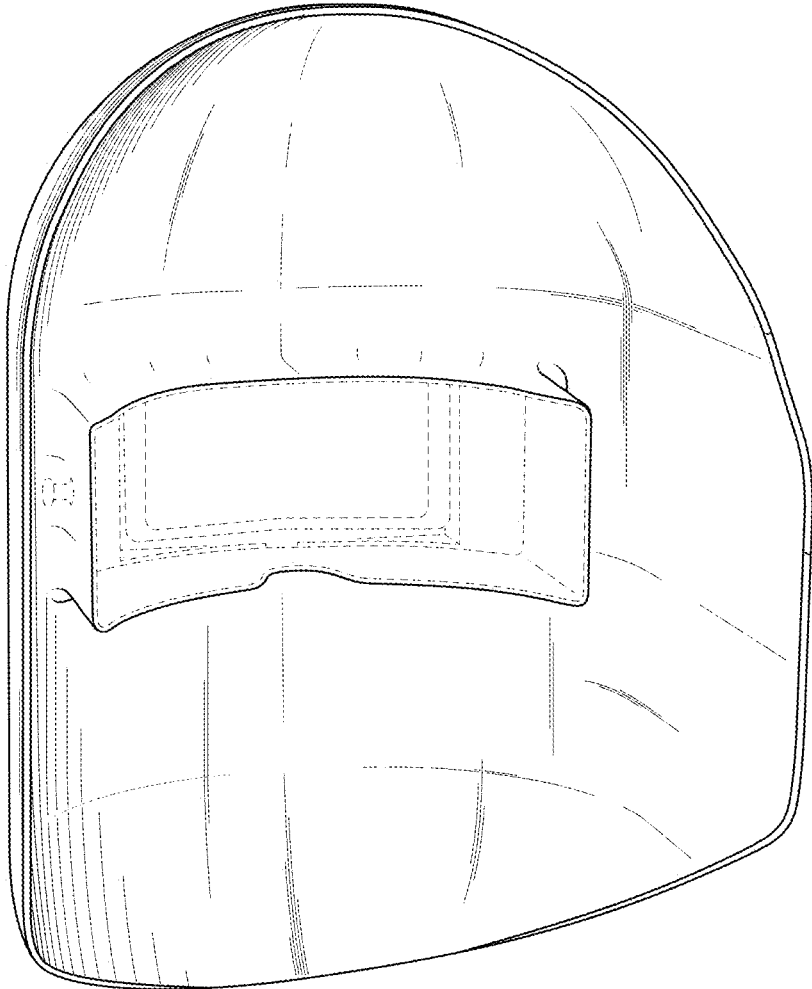


FIG. 10

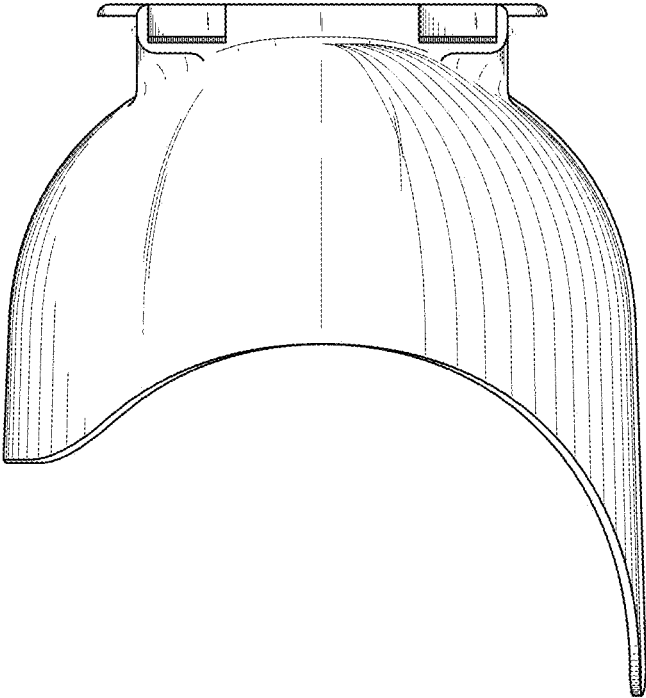


FIG. 11

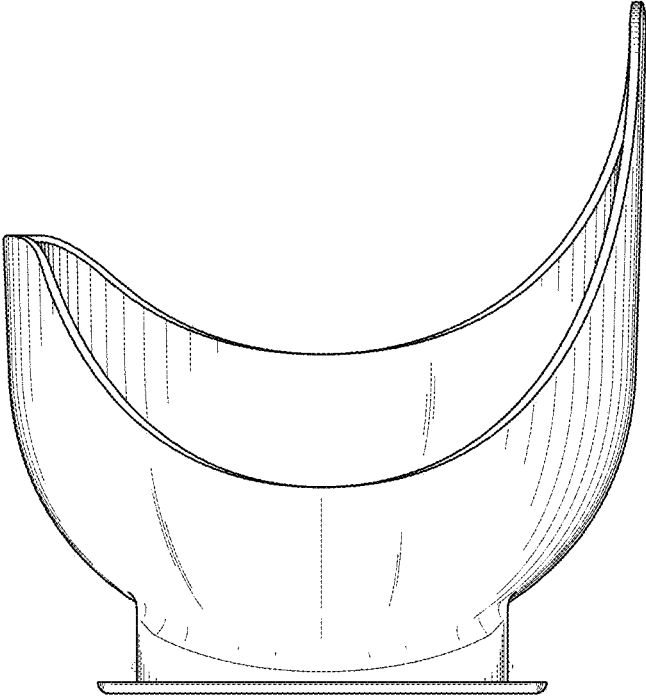


FIG. 12

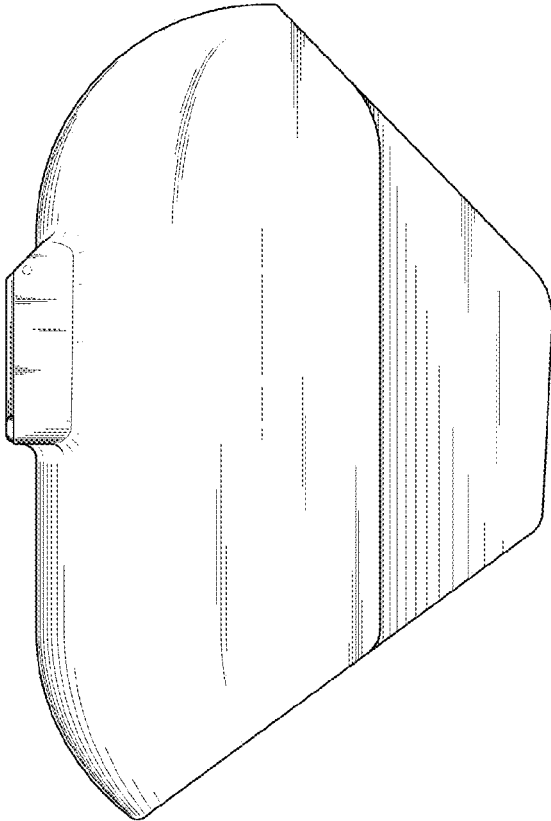


FIG. 13

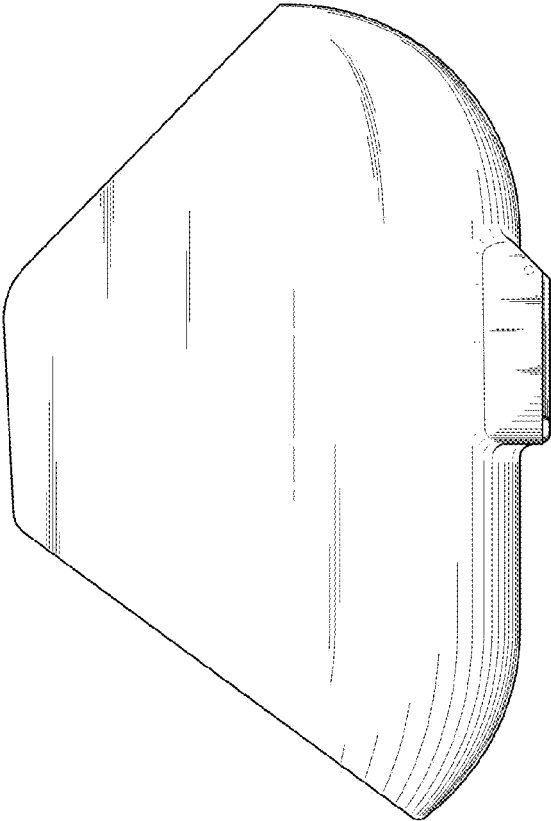


FIG. 14

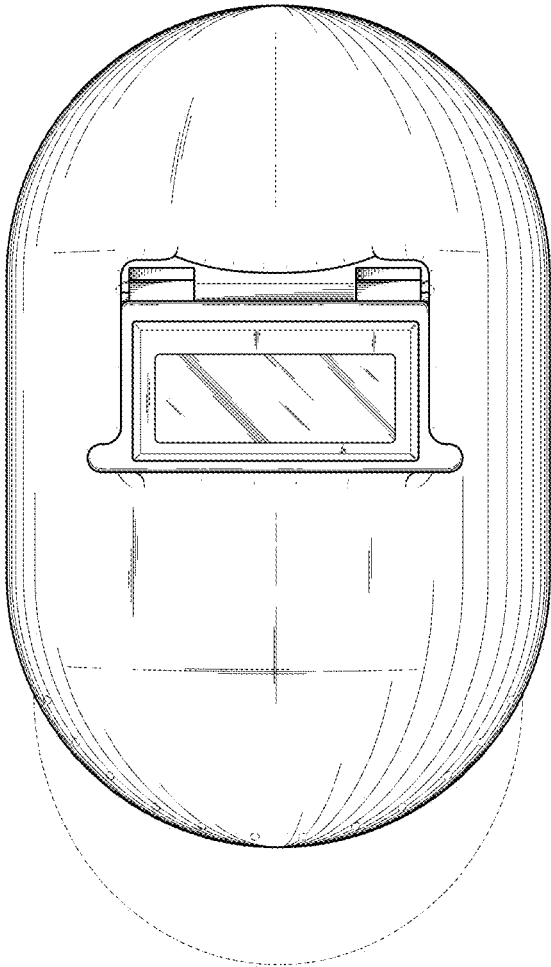


FIG. 15

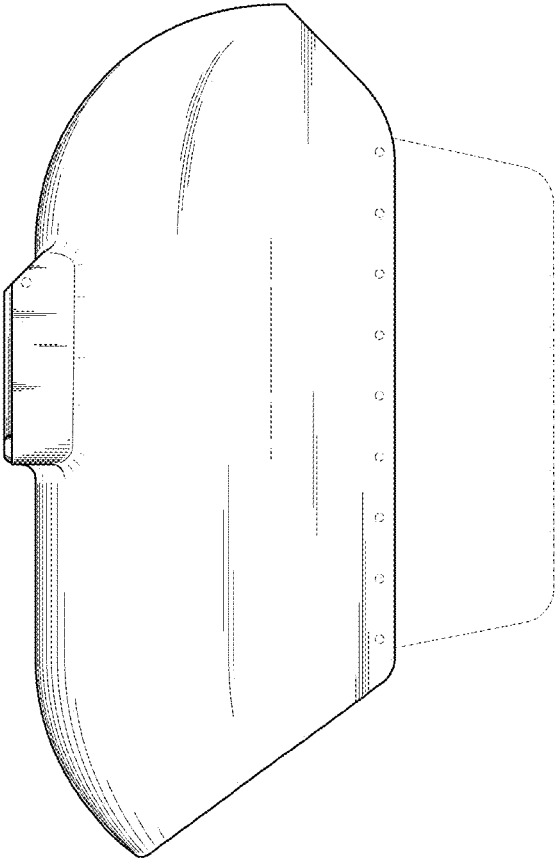


FIG. 16