



US00D846507S

(12) **United States Design Patent**
Altonen et al.

(10) **Patent No.:** **US D846,507 S**

(45) **Date of Patent:** **** Apr. 23, 2019**

(54) **CONTROL DEVICE**

(71) Applicant: **Lutron Technology Company LLC**,
Coopersburg, PA (US)

(72) Inventors: **Gregory S. Altonen**, Easton, PA (US);
Jason C. Killo, Emmaus, PA (US);
Brad M. Kreschollek, Bethlehem, PA (US);
Madia L. Rivera, Bethlehem, PA (US)

(73) Assignee: **Lutron Technology Company LLC**,
Coopersburg, PA (US)

(**) Term: **15 Years**

(21) Appl. No.: **29/633,659**

(22) Filed: **Jan. 15, 2018**

(51) **LOC (11) Cl.** **14-03**

(52) **U.S. Cl.**

USPC **D13/168**

(58) **Field of Classification Search**

USPC D13/162, 164, 168; D14/218, 495

CPC . H03J 1/0025; H01H 2009/187; G08C 17/00;

G08C 17/02; G08C 19/28; G08C 23/02;

G08C 23/04; H05B 39/088; H05K 5/0017

See application file for complete search history.

(56) **References Cited**

U.S. PATENT DOCUMENTS

D512,726 S *	12/2005	Hernandez	D14/489
D539,758 S *	4/2007	Blair	D13/162
D631,854 S *	2/2011	Blair	D13/168
D649,123 S *	11/2011	Jacoby	D13/164
D649,124 S *	11/2011	Jacoby	D13/168
D690,668 S	10/2013	Jacoby et al.		

D694,197 S	11/2013	Felegy, Jr. et al.	
D694,716 S *	12/2013	Felegy, Jr. D13/162
D774,470 S *	12/2016	Altonen D13/168
D795,202 S *	8/2017	Dimberg D13/168
D818,445 S *	5/2018	Altonen D13/168

OTHER PUBLICATIONS

Designer see Touch Engraving Schedule, Rev 5, Lutron Electronics Co., Inc., Dec. 2009.

U.S. Appl. No. 29/633,663, filed Jan. 15, 2018 (unpublished).

* cited by examiner

Primary Examiner — Selina Sikder

(74) *Attorney, Agent, or Firm* — Amy Yanek; Glen Farbanish; Philip Smith

(57) **CLAIM**

We claim the ornamental design for a control device, as shown and described.

DESCRIPTION

FIG. 1 is a perspective view of a control device according to a first embodiment of our new design.

FIG. 2 is a front view thereof.

FIG. 3 is a left side view thereof.

FIG. 4 is a right side view thereof.

FIG. 5 is a top view thereof.

FIG. 6 is a bottom view thereof.

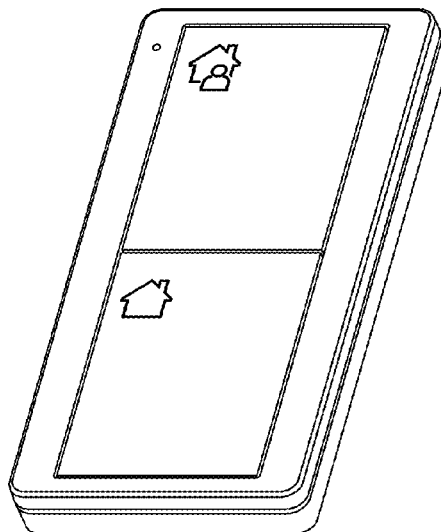
FIG. 7 is a perspective view of a control device according to a second embodiment of our new design; and,

FIG. 8 is a front view thereof.

The left side, right side, top and bottom views of the second embodiment are identical to the left side, right side, top, and bottom views of the first embodiment.

The rear views form no part of the claimed design and are omitted.

1 Claim, 6 Drawing Sheets



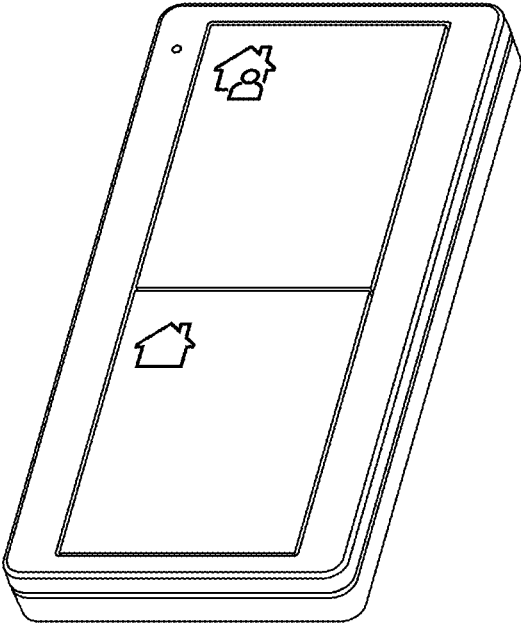


Fig. 1

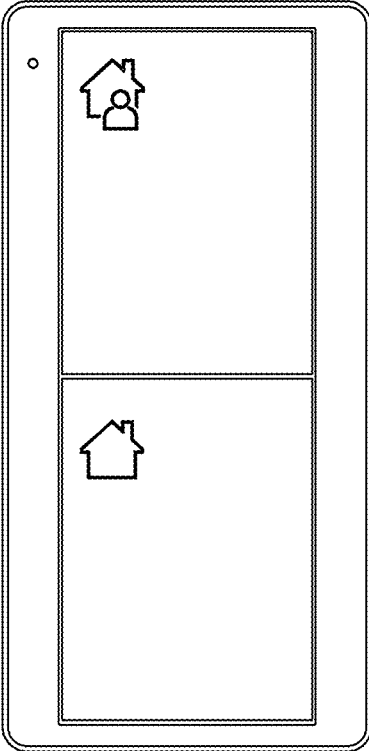


Fig. 2

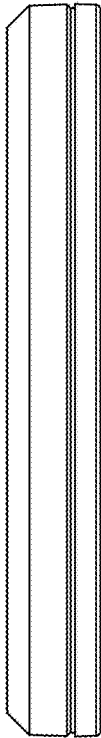


Fig. 3

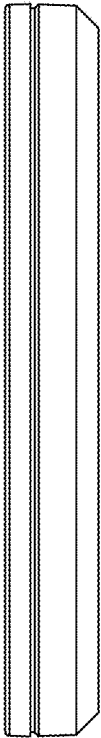


Fig. 4

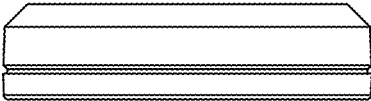


Fig. 5

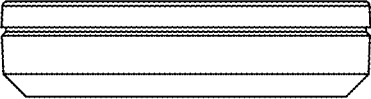


Fig. 6

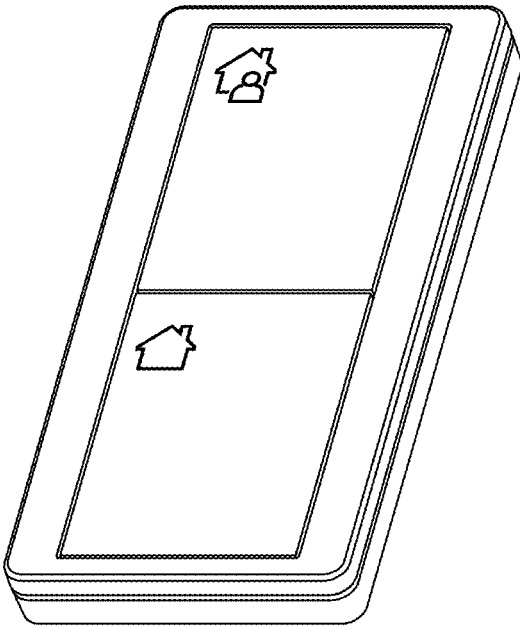


Fig. 7

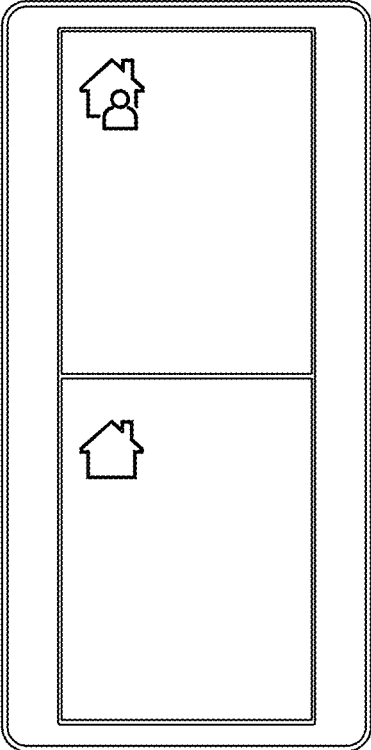


Fig. 8