



(12) **United States Design Patent**  
**Zhong**

(10) **Patent No.:** **US D850,807 S**  
(45) **Date of Patent:** **\*\* Jun. 11, 2019**

(54) **LEG REST DEVICE**

(71) Applicant: **Jing Zhong**, La Puente, CA (US)

(72) Inventor: **Jing Zhong**, La Puente, CA (US)

(\*\*) Term: **15 Years**

(21) Appl. No.: **29/630,172**

(22) Filed: **Dec. 19, 2017**

(51) **LOC (11) Cl.** ..... **06-01**

(52) **U.S. Cl.**  
USPC ..... **D6/349**

(58) **Field of Classification Search**  
USPC ..... D6/334, 349-353, 355, 364-365, 596,  
D6/601, 604, 691-691.9, 692-692.6,  
D6/716-716.1  
CPC ..... A47C 16/00; A47C 16/02-16/04; A47C  
13/00; A47C 11/00; A47C 12/00; A47K  
17/02; A47K 17/028; A47B 7/00-7/02  
See application file for complete search history.

(56) **References Cited**

**U.S. PATENT DOCUMENTS**

D367,390	S *	2/1996	Johnston	.....	D6/596
6,406,098	B1 *	6/2002	Linder	.....	A47C 3/16 220/592.2
D464,225	S *	10/2002	Boso	.....	D6/604
D514,860	S *	2/2006	Torres	.....	D6/604
D612,630	S *	3/2010	Coleman	.....	D6/393
D634,959	S *	3/2011	McNaughton	.....	D6/601
D661,762	S *	6/2012	Galinski	.....	D21/826
D672,182	S *	12/2012	Mischak	.....	D6/601
9,138,058	B2 *	9/2015	Koolhaas	.....	A47C 3/16
D764,189	S *	8/2016	Edwards	.....	D6/349
D790,238	S *	6/2017	Little	.....	D6/349
2003/0159218	A1 *	8/2003	Lin	.....	A47C 4/54 5/710

**OTHER PUBLICATIONS**

Aussie Plane Pal inventor defends product in 'copycat' spat. [online]  
Published on Jan. 28, 2018. Retrieved Feb. 9, 2018 from URL:

<http://www.smh.com.au/small-business/entrepreneur/copycat-claims-against-australiane-plane-pal-inventor-20171221-h08gyv.html>.  
\*  
The Original Fly Tot. [online] Published on Nov. 10, 2016. Retrieved Feb. 9, 2018 from URL: <https://www.fly-tot.com/the-original-fly-tot>.  
\*  
Plane Pal Pillow Only. [online] Retrieved Feb. 9, 2018 from URL: <https://www.plane-pal.com.au/collections/online-shop/products/plane-pal-pillow-only>.  
\*  
\* cited by examiner

*Primary Examiner* — Vy N Koenig  
(74) *Attorney, Agent, or Firm* — Raymond Y. Chan;  
David and Raymond Patent Firm

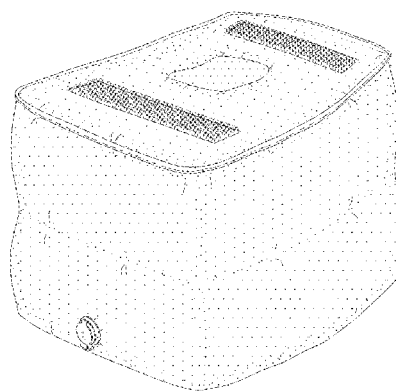
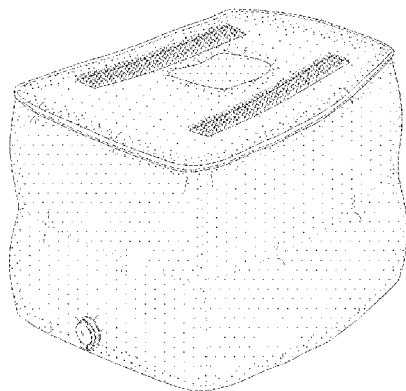
(57) **CLAIM**

The ornamental design for a leg rest device, as shown and described.

**DESCRIPTION**

FIG. 1 is a perspective view of the leg rest device of my new design;  
FIG. 2 is a front view thereof;  
FIG. 3 is a rear view thereof;  
FIG. 4 is a left view thereof;  
FIG. 5 is a right view thereof;  
FIG. 6 is a top view thereof;  
FIG. 7 is a bottom view thereof;  
FIG. 8 is a perspective view thereof with an optional leg rest stacked on top; and,  
FIG. 9 is a perspective view of the leg rest device of FIG. 1 with an alternative orientation of the fasteners.  
The broken lines shown in FIG. 8 represent environmental subject matter, specifically an optional stacked leg rest device, and form no part of the claimed design.

**1 Claim, 9 Drawing Sheets**



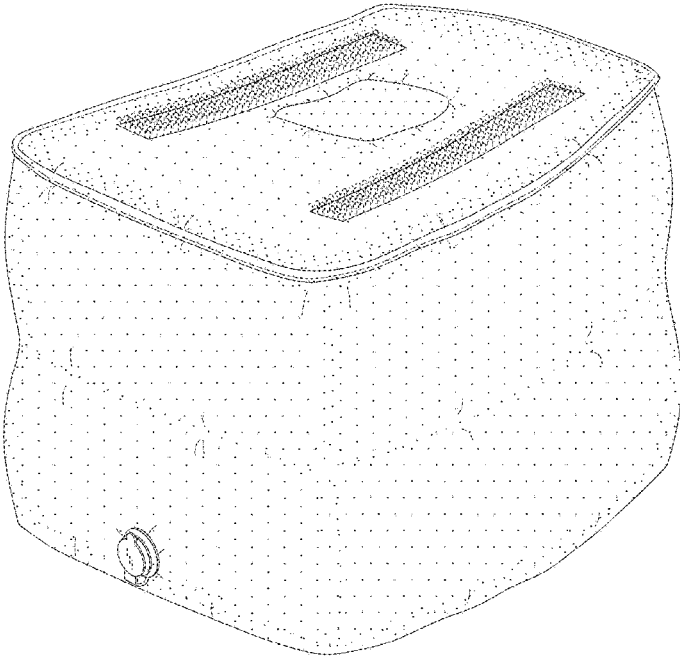


FIG.1

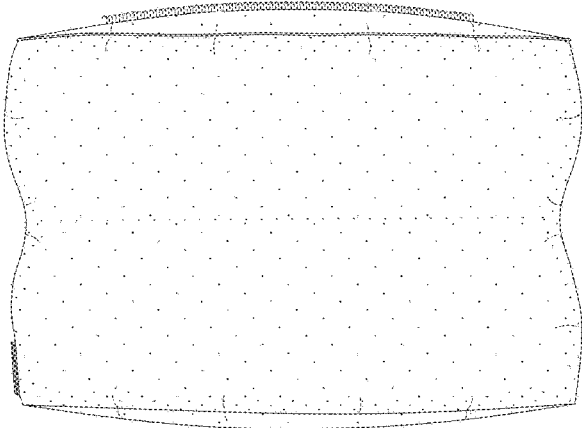


FIG.2

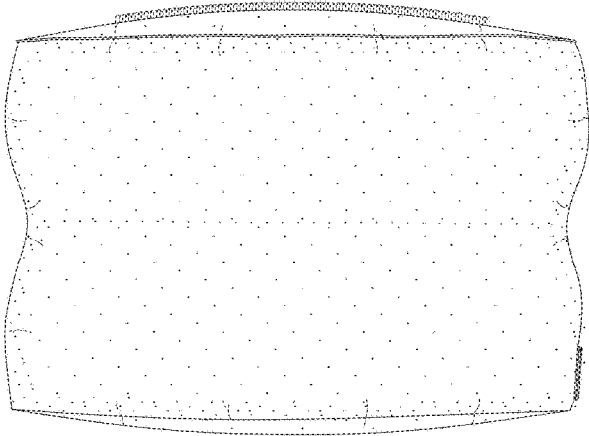


FIG.3

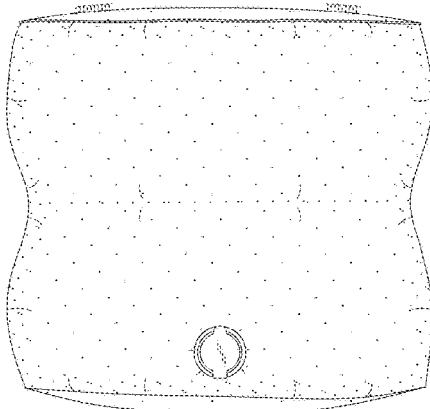


FIG.4

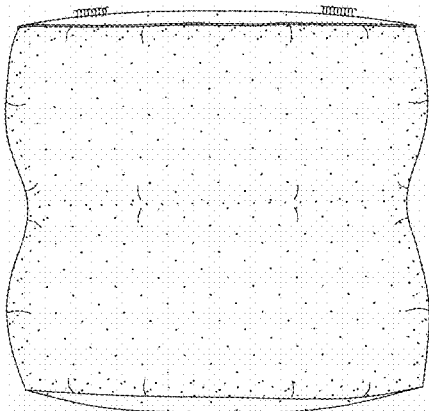


FIG.5

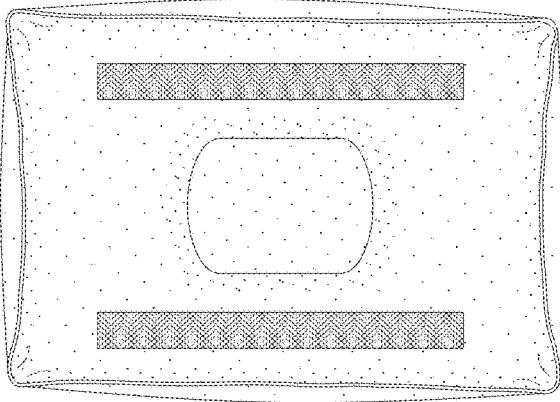


FIG.6

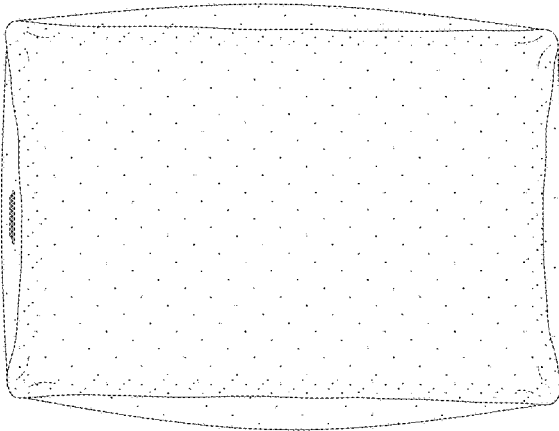


FIG.7



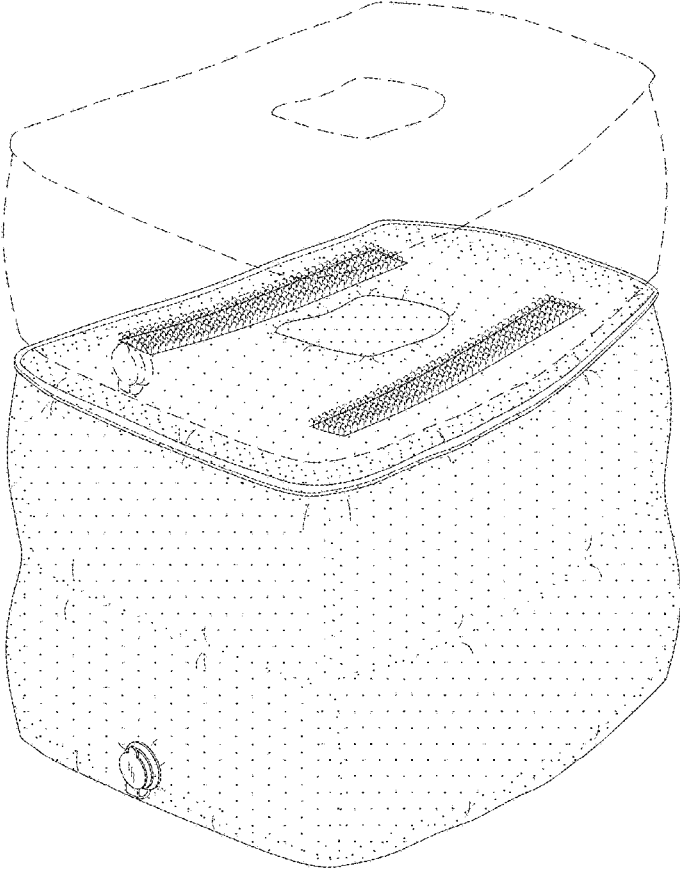


FIG.8

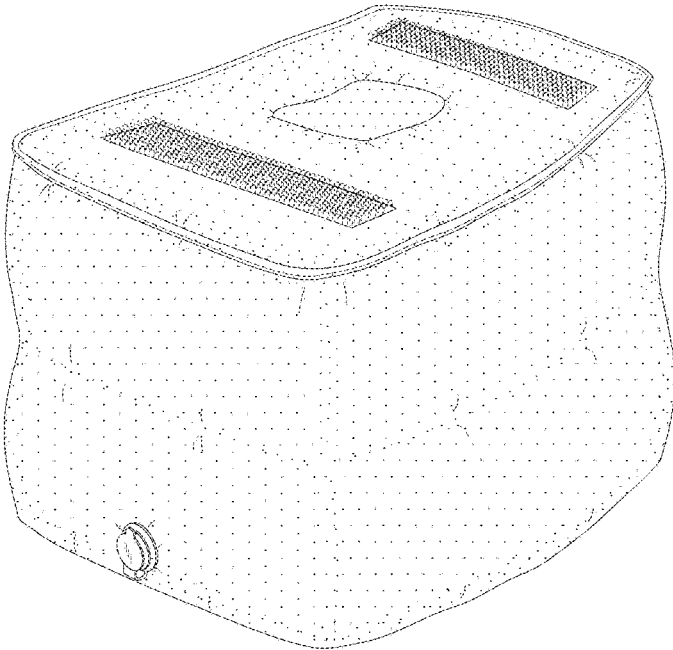


FIG.9