

(19) World Intellectual Property Organization
International Bureau



(43) International Publication Date
10 April 2008 (10.04.2008)

PCT

(10) International Publication Number
WO 2008/042228 A3

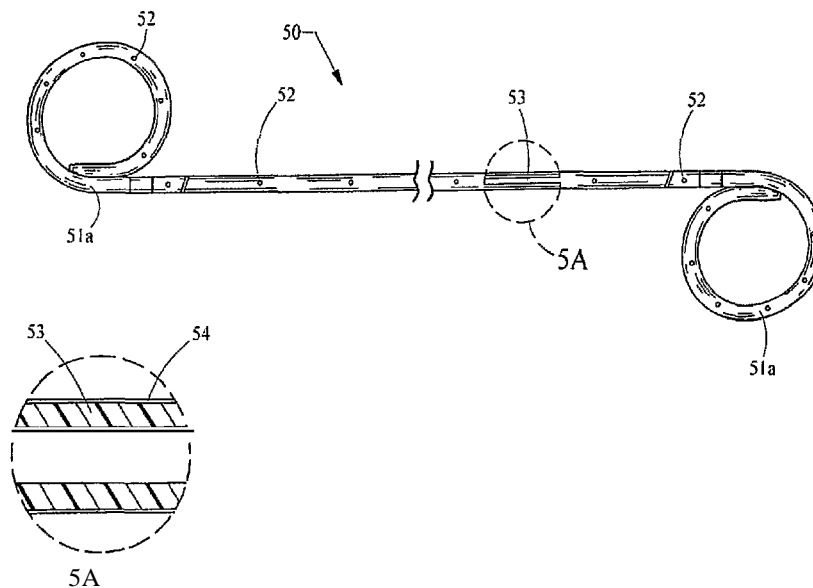
- (51) International Patent Classification:
A61L 31/16 (2006.01) A61L 31/10 (2006.01)
- (21) International Application Number:
PCT/US2007/020875
- (22) International Filing Date:
27 September 2007 (27.09.2007)
- (25) Filing Language: English
- (26) Publication Language: English
- (30) Priority Data:
60/847,857 28 September 2006 (28.09.2006) US
- (71) Applicant (for all designated States except US): MED
INSTITUTE, INC. [US/US]; 1400 Cumberland Avenue,
West Lafayette, IN 47906 (US).

- (81) Designated States (unless otherwise indicated, for every
kind of national protection available): AE, AG, AL, AM,
AT, AU, AZ, BA, BB, BG, BH, BR, BW, BY, BZ, CA, CH,
CN, CO, CR, CU, CZ, DE, DK, DM, DO, DZ, EC, EE, EG,
ES, FI, GB, GD, GE, GH, GM, GT, HN, HR, HU, ID, IL,
IN, IS, JP, KE, KG, KM, KN, KP, KR, KZ, LA, LC, LK,
LR, LS, LT, LU, LY, MA, MD, ME, MG, MK, MN, MW,
MX, MY, MZ, NA, NG, NI, NO, NZ, OM, PG, PH, PL,
PT, RO, RS, RU, SC, SD, SE, SG, SK, SL, SM, SV, SY,
TJ, TM, TN, TR, TT, TZ, UA, UG, US, UZ, VC, VN, ZA,
ZM, ZW
- (84) Designated States (unless otherwise indicated, for every
kind of regional protection available): ARIPO (BW, GH,
GM, KE, LS, MW, MZ, NA, SD, SL, SZ, TZ, UG, ZM,
ZW), Eurasian (AM, AZ, BY, KG, KZ, MD, RU, TJ, TM),
European (AT, BE, BG, CH, CY, CZ, DE, DK, EE, ES, FI,
FR, GB, GR, HU, IE, IS, IT, LT, LU, LV, MC, MT, NL, PL,
PT, RO, SE, SI, SK, TR), OAPI (BF, BJ, CF, CG, CI, CM,
GA, GN, GQ, GW, ML, MR, NE, SN, TD, TG).

- (72) Inventors; and
- (75) Inventors/Applicants (for US only): RUANE, Patrick,
H. [IE/US]; 26975 Hayward Blvd., Hayward, CA 94544
(US). ISCH, Andrew, P. [US/US]; 2116 Cliburn Rd.,
Lafayette, IN 47909 (US). PEREZ-SEGARRA, Waleska
[US/US]; 112 Villefranche Drive, West Lafayette, IN
47906 (US).
- (74) Agent: HUNT, James, B.; P.O. Box 2269, Bloomington,
IN 47402-2269 (US).

- Published:**
- with international search report
 - before the expiration of the time limit for amending the
claims and to be republished in the event of receipt of
amendments
- (88) Date of publication of the international search report:
9 October 2008

(54) Title: MEDICAL DEVICES INCORPORATING A BIOACTIVE AND METHODS OF PREPARING SUCH DEVICES



(57) Abstract: One embodiment provides a medical device comprising a base, material and a bioactive in contact with the base material, the bioactive having a proton binding site with a non-ionic form and an ionic form, the bioactive being less soluble in water when the proton binding site is in the non-ionic form than when the proton binding site is in the ionic form, wherein at least 5% w/w of the bioactive is present with the proton binding site in the non-ionic form and wherein the bioactive is not an anesthetic. Another embodiment provides such a medical device eg. ureteral stent where the bioactive is an anesthetic such as mepivacaine, ropivacaine, bupivacaine or lidocaine and where the device is not a ureteral stent. Another aspect provides method of manufacturing such devices.

WO 2008/042228 A3

INTERNATIONAL SEARCH REPORT

International application No
PCT/US2007/020875

A. CLASSIFICATION OF SUBJECT MATTER
INV. A61L31/16 A61L31/10

According to International Patent Classification (IPC) or to both national classification and IPC

B. FIELDS SEARCHED

Minimum documentation searched (classification system followed by classification symbols)
A61L

Documentation searched other than minimum documentation to the extent that such documents are included in the fields searched

Electronic data base consulted during the international search (name of data base and, where practical, search terms used)

C. DOCUMENTS CONSIDERED TO BE RELEVANT

Category*	Citation of document, with indication, where appropriate, of the relevant passages	Relevant to claim No.
X	US 6 368 658 B1 (SCHWARZ MARLENE [US] ET AL) 9 April 2002 (2002-04-09) column 3, lines 40-65 column 4, lines 1-5 column 4, lines 43-45 -----	1-19
X	US 6 395 326 B1 (CASTRO DANIEL [US] ET AL) 28 May 2002 (2002-05-28) column 7, lines 51-65 column 13, lines 20-36 column 3, lines 9-17 ----- -/-	1-19

Further documents are listed in the continuation of Box C.

See patent family annex.

* Special categories of cited documents :

- "A" document defining the general state of the art which is not considered to be of particular relevance
- "E" earlier document but published on or after the international filing date
- "L¹" document which may throw doubts on priority claim(s) or which is cited to establish the publication date of another citation or other special reason (as specified)
- "O" document referring to an oral disclosure, use, exhibition or other means
- "P" document published prior to the international filing date but later than the priority date claimed

- "T" later document published after the international filing date or priority date and not in conflict with the application but cited to understand the principle or theory underlying the invention
- "X" document of particular relevance; the claimed invention cannot be considered novel or cannot be considered to involve an inventive step when the document is taken alone
- "Y" document of particular relevance; the claimed invention cannot be considered to involve an inventive step when the document is combined with one or more other such documents, such combination being obvious to a person skilled in the art.
- "&" document member of the same patent family

Date of the actual completion of the international search

31 July 2008

Date of mailing of the international search report

13/08/2008

Name and mailing address of the ISA/

European Patent Office, P.B. 5818 Patentlaan 2
NL - 2280 HV Rijswijk
Tel. (+31-70) 340-2040, Tx. 31 651 epo nl,
Fax: (+31-70) 340-3016

Authorized officer

Ci smaru, L

INTERNATIONAL SEARCH REPORT

International application No PCT/US2007/020875

^Continuation). DOCUMENTS CONSIDERED TO BE RELEVANT		
Category*	Citation of document, with indication, where appropriate, of the relevant passages	Relevant to claim No.
A	<p>CHEW BEN H ET AL: "Technology insight: Novel ureteral stent materials and designs"</p> <p>NATURE CLINICAL PRACTICE UROLOGY, NATURE PUBLISHING GROUP, LONDON, GB, vol. 1, no. 1, 1 November 2004 (2004-11-01), pages 44-48, XP009103970</p> <p>ISSN: 1743-4270</p> <p>page 47, column 1</p> <p style="text-align: center;">-----</p>	
A	<p>CHEW BEN H ET AL: "New developments in ureteral stent design, materials and coatings"</p> <p>EXPERT REVIEW OF MEDICAL DEVICES, FUTURE DRUGS LTD., LONDON, GB, vol. 3, no. 3, 1 May 2006 (2006-05-01), pages 395-403, XP009103971</p> <p>ISSN: 1743-4440</p> <p>page 400, column 1</p> <p style="text-align: center;">-----</p>	

INTERNATIONAL SEARCH REPORT

Information on patent family members

International application No

PCT/US2007/020875

Patent document cited in search report	Publication date	Patent family member(s)	Publication date
US 6368658	B1	09-04-2002 NONE	
US 6395326	B1	28-05-2002 US 6616765 B1	09-09-2003