



US00D702792S

(12) **United States Design Patent**  
**Burt et al.**

(10) **Patent No.:** **US D702,792 S**

(45) **Date of Patent:** **\*\* Apr. 15, 2014**

(54) **FIREARM**

(75) Inventors: **Eric C. Burt**, Boulder, CO (US); **Ethan Lessard**, East Kingston, NH (US)

(73) Assignee: **RA Brands, L.L.C.**, Madison, NC (US)

(\*\*) Term: **14 Years**

(21) Appl. No.: **29/432,045**

(22) Filed: **Sep. 13, 2012**

(51) **LOC (10) Cl.** ..... **22-01**

(52) **U.S. Cl.**

USPC ..... **D22/103**

(58) **Field of Classification Search**

USPC ..... D22/103, 108; 42/1.01-1.07, 2, 10-26, 42/34, 36, 37, DIG. 1; 89/40.06, 41.19, 89/37.04, 33.04, 191.01, 200-204; D21/572-575; 124/67, 66, 72, 74  
See application file for complete search history.

(56) **References Cited**

**U.S. PATENT DOCUMENTS**

2,424,194	A	7/1947	Sampson et al.	
2,466,017	A	4/1949	Farber	
3,827,172	A	8/1974	Howe	
4,383,384	A	5/1983	Fox	
4,856,410	A *	8/1989	Anderson	89/161
5,826,363	A	10/1998	Olson	
6,490,822	B1	12/2002	Swan	
6,564,492	B2	5/2003	Weldle et al.	
6,694,660	B1	2/2004	Davies	
6,839,998	B1	1/2005	Armstrong	
D537,901	S	3/2007	Elkaim	
D606,614	S	12/2009	Fitzpatrick et al.	
D611,111	S *	3/2010	Hajjar et al.	D22/103
7,716,865	B2	5/2010	Daniel et al.	
7,770,317	B1	8/2010	Tankersley	
D637,678	S *	5/2011	Larson et al.	D22/103
D641,825	S	7/2011	Gridelet	
7,975,595	B2	7/2011	Robinson et al.	
8,061,072	B1	11/2011	Crose	
D653,300	S *	1/2012	Emde	D22/103
8,141,285	B2	3/2012	Brown	
8,191,300	B2	6/2012	Daniel	
8,276,304	B2	10/2012	Samson et al.	

8,336,243	B2	12/2012	Langevin et al.	
D676,921	S *	2/2013	Fitzpatrick et al.	D22/108
D680,611	S *	4/2013	Emde et al.	D22/103
D688,768	S *	8/2013	Fitzpatrick et al.	D22/108
D689,160	S *	9/2013	Emde	D22/108
2009/0100734	A1	4/2009	Swan et al.	
2011/0283582	A1 *	11/2011	Hunter et al.	42/69.02
2012/0180354	A1	7/2012	Sullivan et al.	
2012/0186123	A1	7/2012	Troy et al.	
2013/0047832	A1	2/2013	Hochstrate et al.	
2013/0125440	A1 *	5/2013	Zheng	42/14
2013/0180150	A1 *	7/2013	Dueck	42/90
2013/0185975	A1 *	7/2013	JOHNSON, Shawn	42/69.02

**FOREIGN PATENT DOCUMENTS**

CA	117291	3/1909
DE	1225517	9/1966
DE	102005054917	5/2007

**OTHER PUBLICATIONS**

<http://everything-airsoft.com/blog/2009/06/08/airsoft-globals-releases-custom-magpul-m4-casv/>.  
Color Image; Firearm carbine ACR 8 ss; 1 page; Mar. 8, 2013; [http://homefront.wikia.com/wiki/File:Firearm\\_carbine\\_ACR\\_8\\_ss.jpg](http://homefront.wikia.com/wiki/File:Firearm_carbine_ACR_8_ss.jpg).  
Barry, Max; NationStates; Awac States Log; 12 pages; Mar. 8, 2013; <http://forum.nationstates.net/viewtopic.php?f=23&t=72464&start=0>.  
Zimba, Jeff W.; Another Tactical Upgrade from MGI Military: The QCB Upper Receiver for the AR-15/M16/M4; The Small Arms Review, vol. 8 No. 3; pp. 37-40; Dec. 2004.  
Lewis, Jack & Steele, David E.; The Gun Digest Book of Assault Weapons, (5th ed. 2000); Krause Publications; Iola, Wisconsin; pp. 68-69, 125.  
Invitation to Pay Additional Fees and, Where Applicable, Protest Fee (Partial International Search Report) dated Nov. 15, 2013 for International Application No. PCT/US2013/055710.

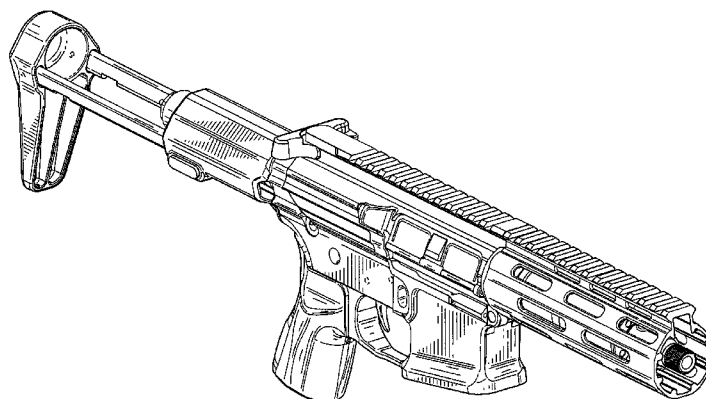
\* cited by examiner

*Primary Examiner* — Michael A Pratt

(74) *Attorney, Agent, or Firm* — Womble Carlyle Sandridge & Rice, LLP

(57) **CLAIM**

The ornamental design for a firearm, as shown and described.



**DESCRIPTION**

FIG. 1 is a front perspective view of a firearm with its stock in an extended configuration, in accordance with a first embodiment of the present invention;

FIG. 2 is a rear perspective view of the firearm of FIG. 1 with its stock in the extended configuration;

FIG. 3 is a right elevation view of the firearm of FIG. 1 with its stock in the extended configuration;

FIG. 4 is a left elevation view of the firearm of FIG. 1 with its stock in the extended configuration;

FIG. 5 is a top plan view of the firearm of FIG. 1 with its stock in the extended configuration;

FIG. 6 is a bottom plan view of the firearm of FIG. 1 with its stock in the extended configuration;

FIG. 7 is a front elevation view of the firearm of FIG. 1 with its stock in the extended configuration;

FIG. 8 is a rear elevation view of the firearm of FIG. 1 with its stock in the extended configuration;

FIG. 9 is a front perspective view of the firearm of FIG. 1 with its stock in a retracted configuration;

FIG. 10 is a rear perspective view of the firearm of FIG. 1 with its stock in the retracted configuration;

FIG. 11 is a right elevation view of the firearm of FIG. 1 with its stock in the retracted configuration;

FIG. 12 is a left elevation view of the firearm of FIG. 1 with its stock in the retracted configuration;

FIG. 13 is a top plan view of the firearm of FIG. 1 with its stock in the retracted configuration;

FIG. 14 is a bottom plan view of the firearm of FIG. 1 with its stock in the retracted configuration;

FIG. 15 is a front elevation view of the firearm of FIG. 1 with its stock in the retracted configuration;

FIG. 16 is a rear elevation view of the firearm of FIG. 1 with its stock in the retracted configuration;

FIG. 17 is a front perspective view of a firearm with its stock in an extended configuration, in accordance with a second embodiment of the present invention;

FIG. 18 is a rear perspective view of the firearm of FIG. 17 with its stock in the extended configuration;

FIG. 19 is a right elevation view of the firearm of FIG. 17 with its stock in the extended configuration;

FIG. 20 is a left elevation view of the firearm of FIG. 17 with its stock in the extended configuration;

FIG. 21 is a top plan view of the firearm of FIG. 17 with its stock in the extended configuration;

FIG. 22 is a bottom plan view of the firearm of FIG. 17 with its stock in the extended configuration;

FIG. 23 is a front elevation view of the firearm of FIG. 17 with its stock in the extended configuration;

FIG. 24 is a rear elevation view of the firearm of FIG. 17 with its stock in the extended configuration;

FIG. 25 is a front perspective view of the firearm of FIG. 17 with its stock in a retracted configuration;

FIG. 26 is a rear perspective view of the firearm of FIG. 17 with its stock in the retracted configuration;

FIG. 27 is a right elevation view of the firearm of FIG. 17 with its stock in the retracted configuration;

FIG. 28 is a left elevation view of the firearm of FIG. 17 with its stock in the retracted configuration;

FIG. 29 is a top plan view of the firearm of FIG. 17 with its stock in the retracted configuration;

FIG. 30 is a bottom plan view of the firearm of FIG. 17 with its stock in the retracted configuration;

FIG. 31 is a front elevation view of the firearm of FIG. 17 with its stock in the retracted configuration; and,

FIG. 32 is a rear elevation view of the firearm of FIG. 17 with its stock in the retracted configuration.

The broken lines shown herein are for illustrative purposes and form no part of the claimed design.

**1 Claim, 24 Drawing Sheets**

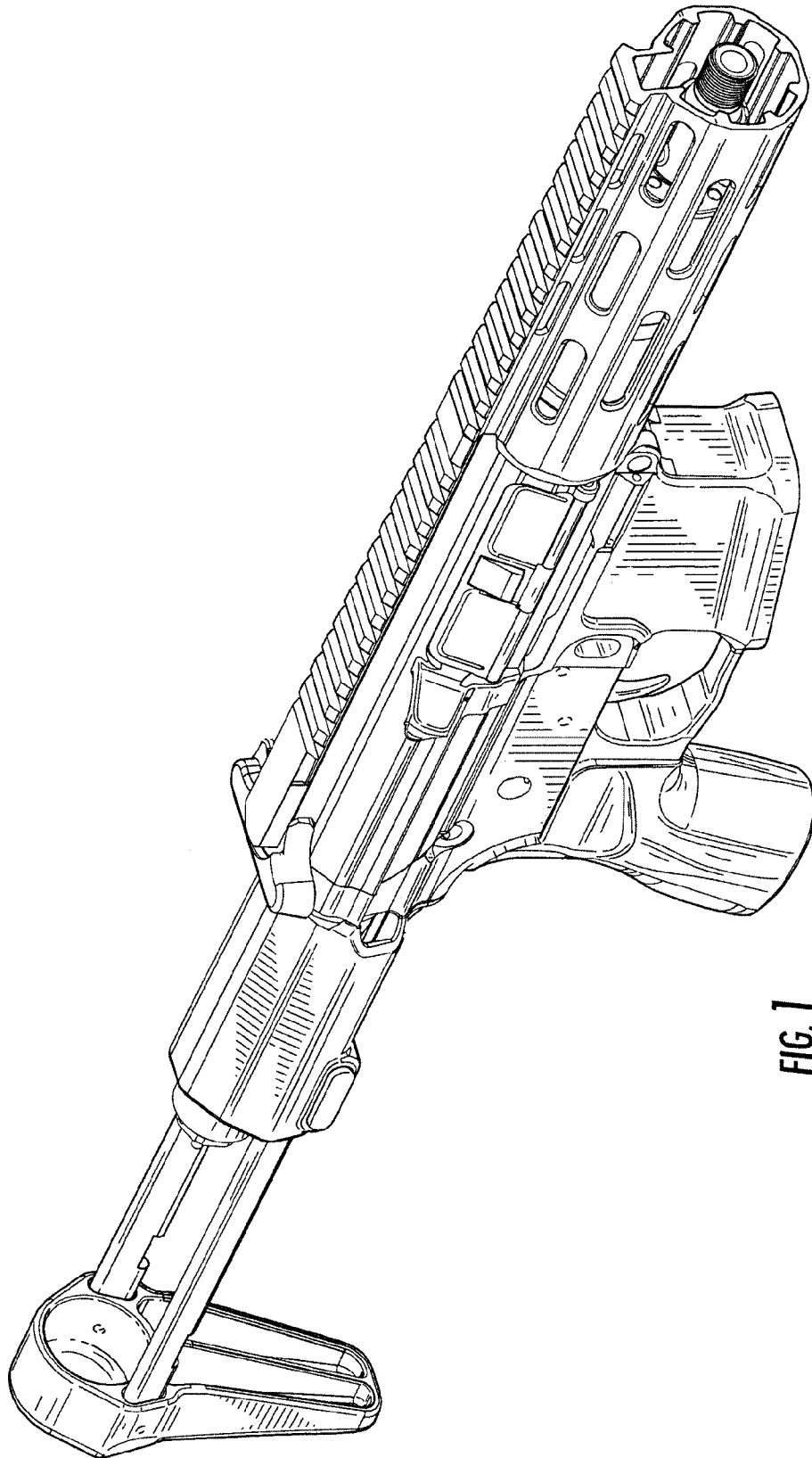


FIG. 1

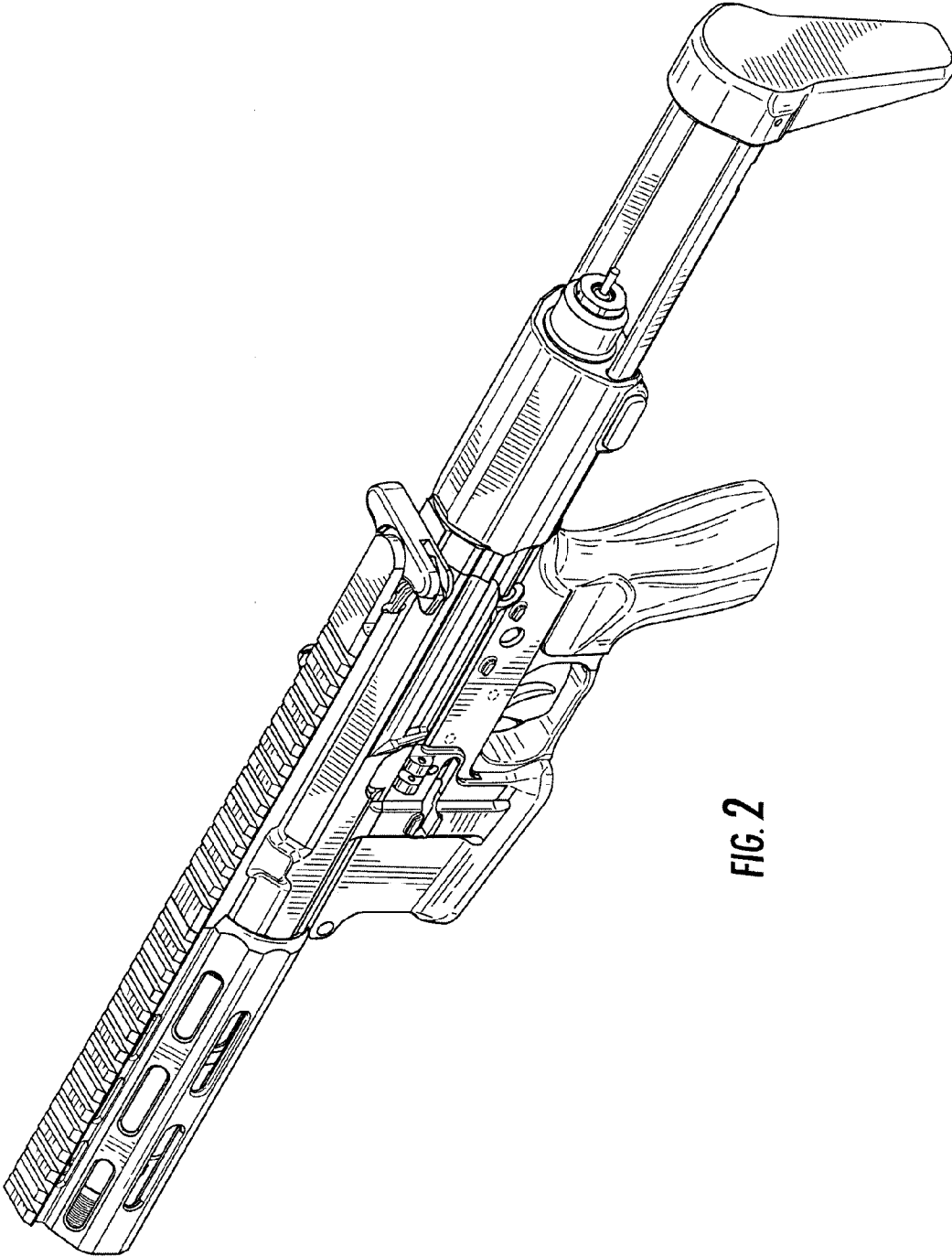


FIG. 2

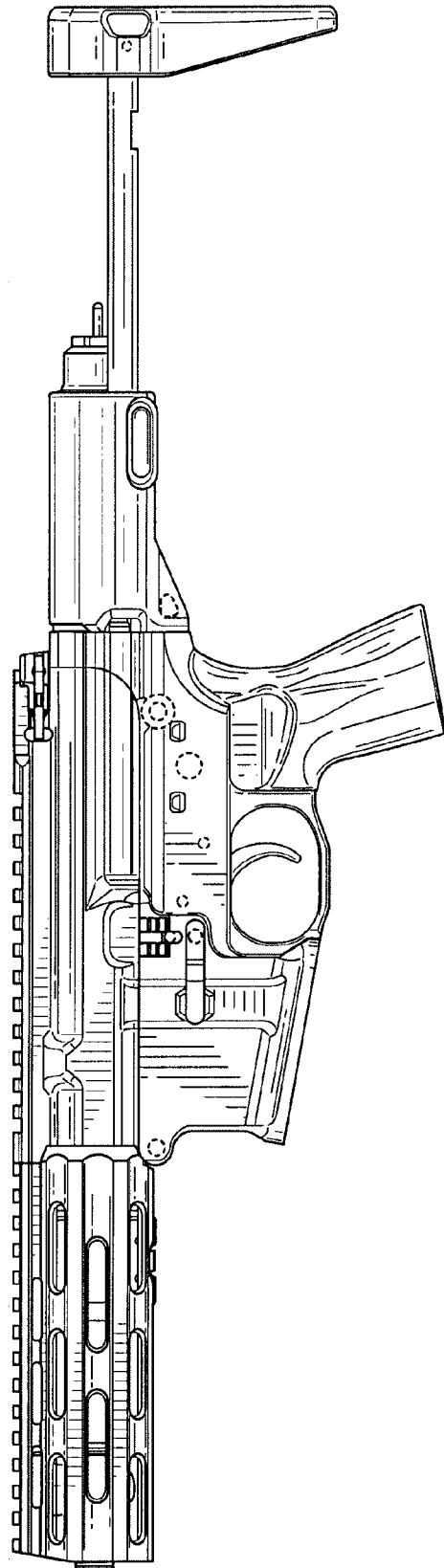


FIG. 3

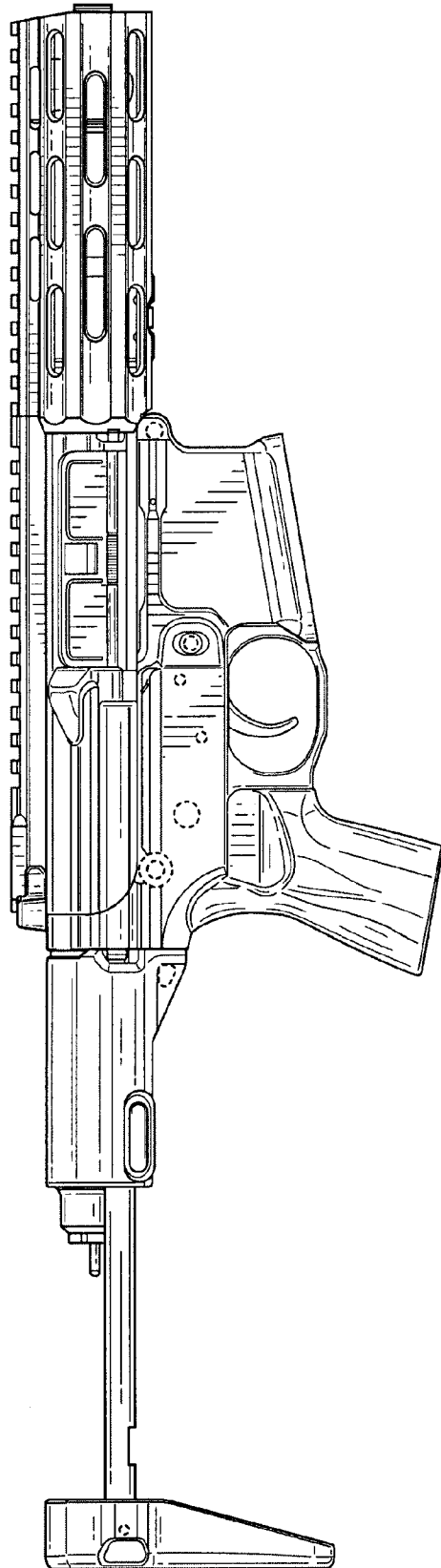


FIG. 4

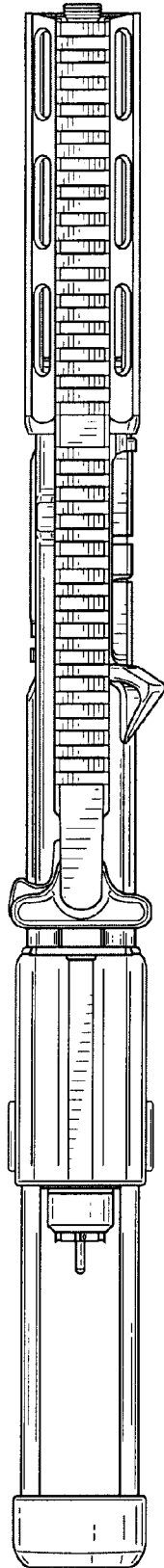


FIG. 5

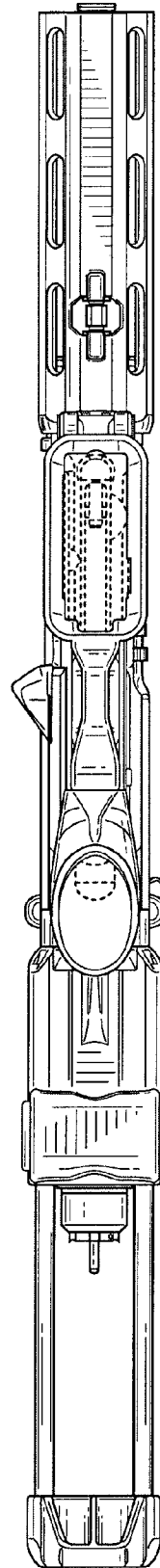
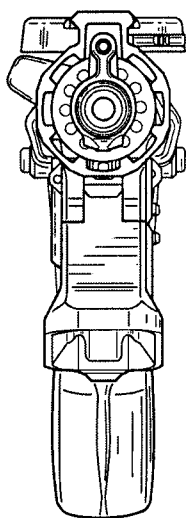
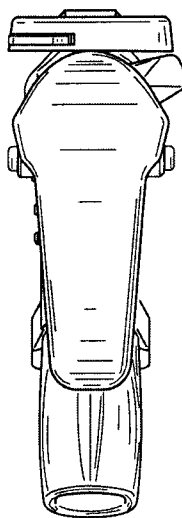


FIG. 6



**FIG. 7**



**FIG. 8**



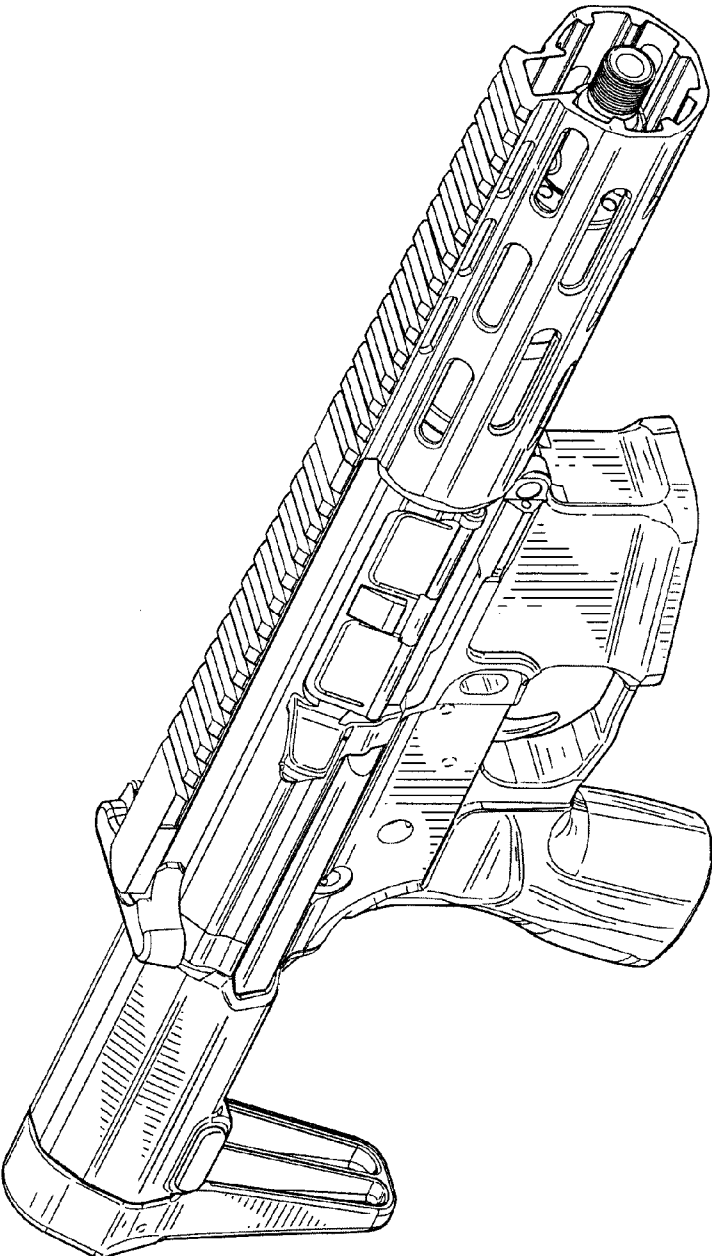


FIG. 9

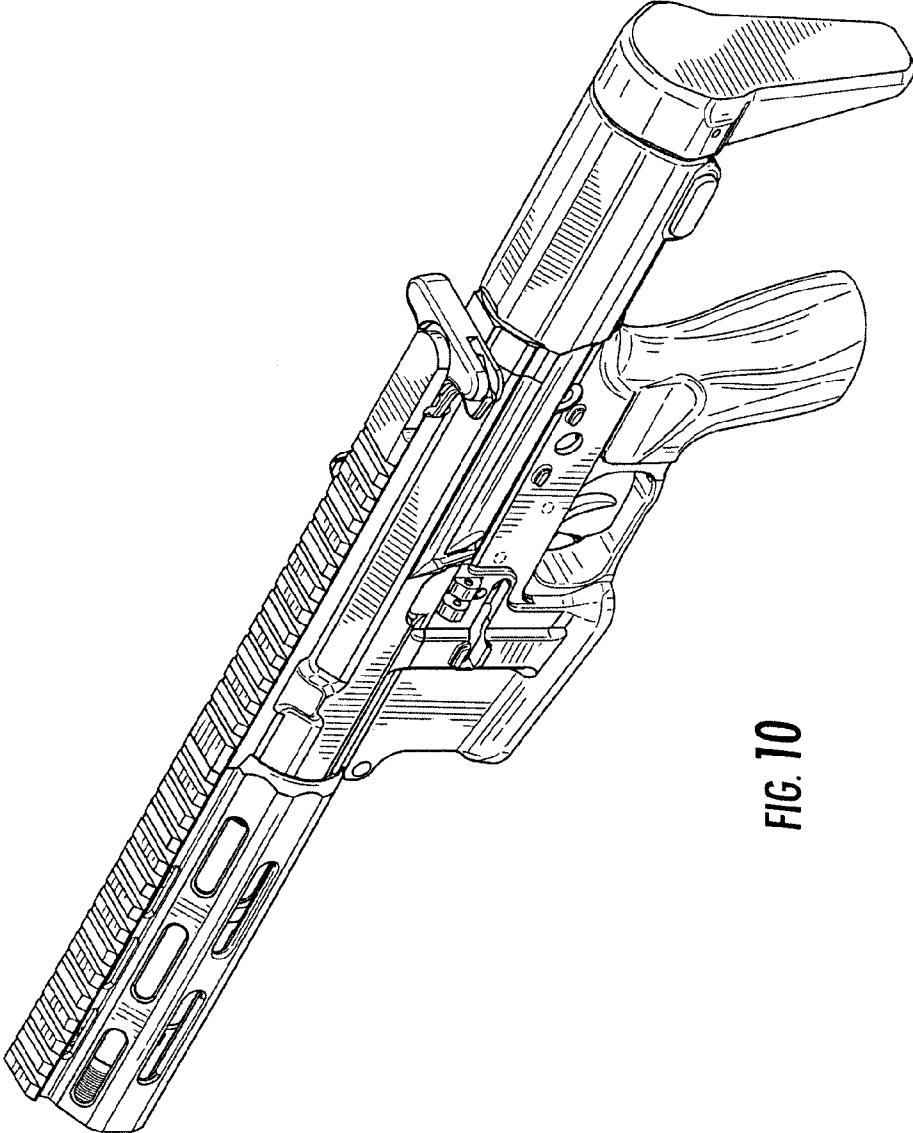


FIG. 10

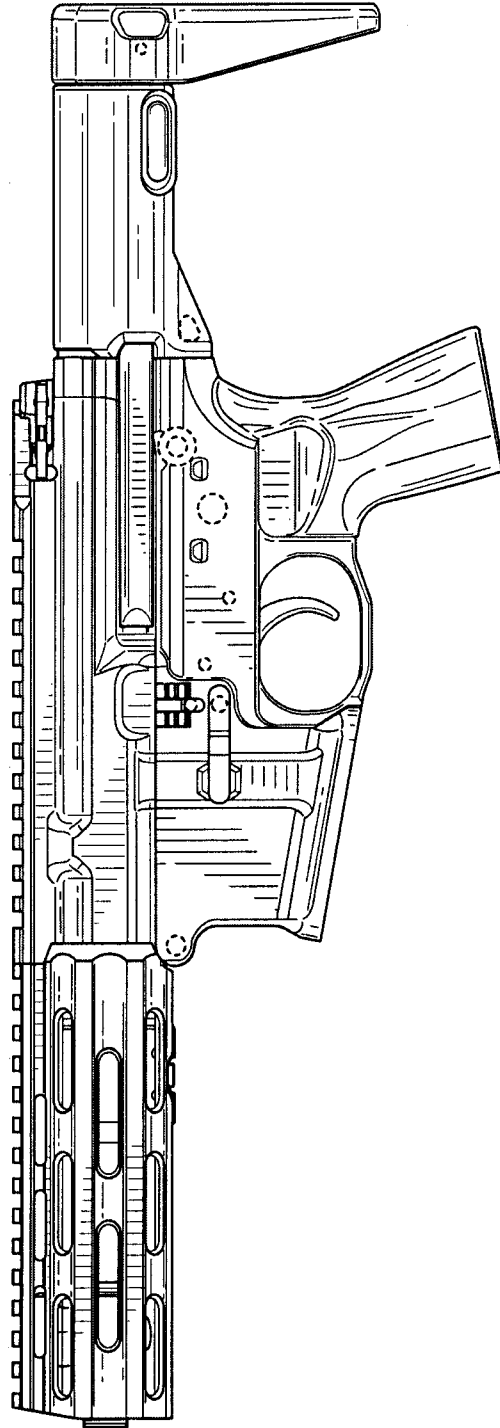


FIG. 11

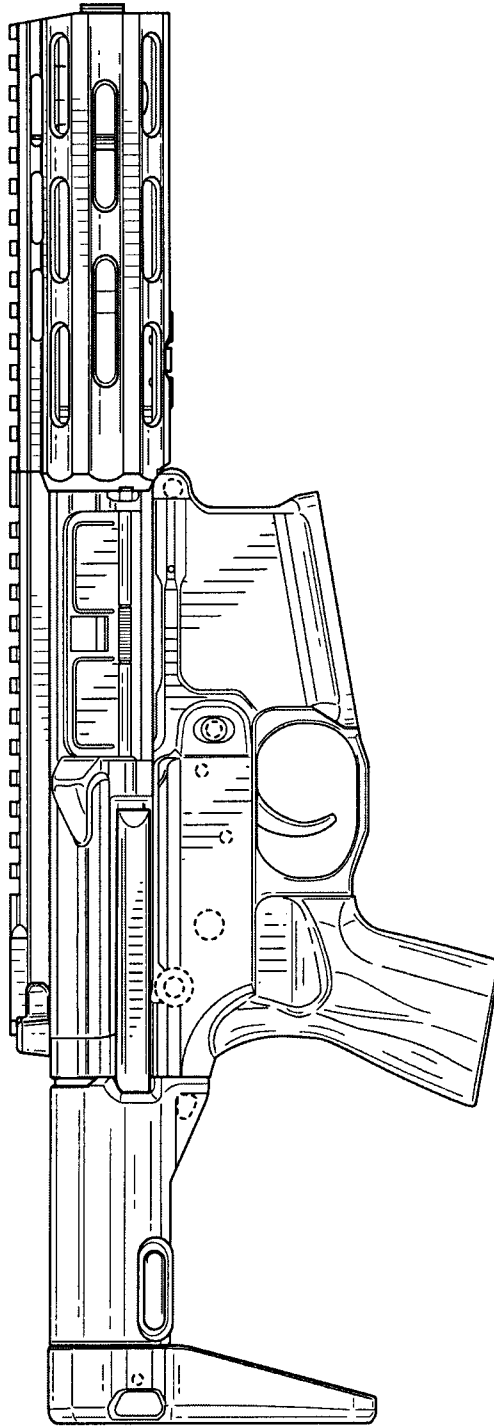


FIG. 12

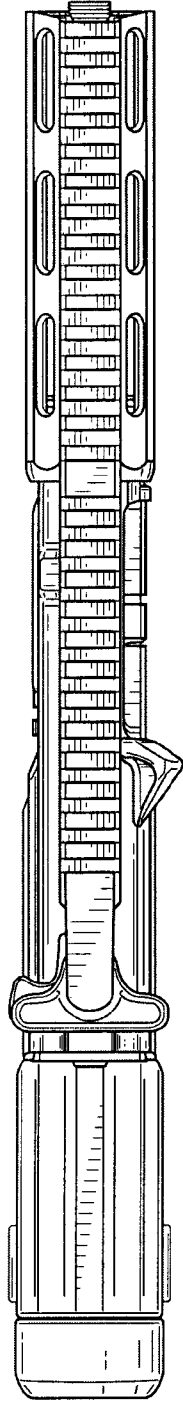


FIG. 13

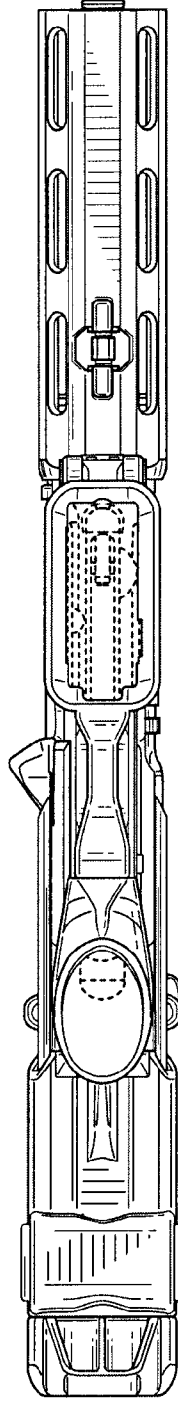
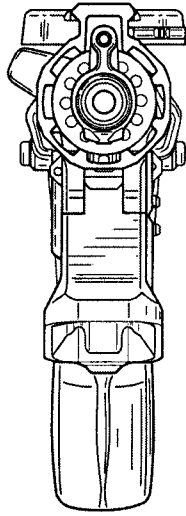
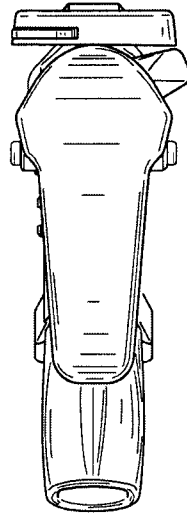


FIG. 14



**FIG. 15**



**FIG. 16**

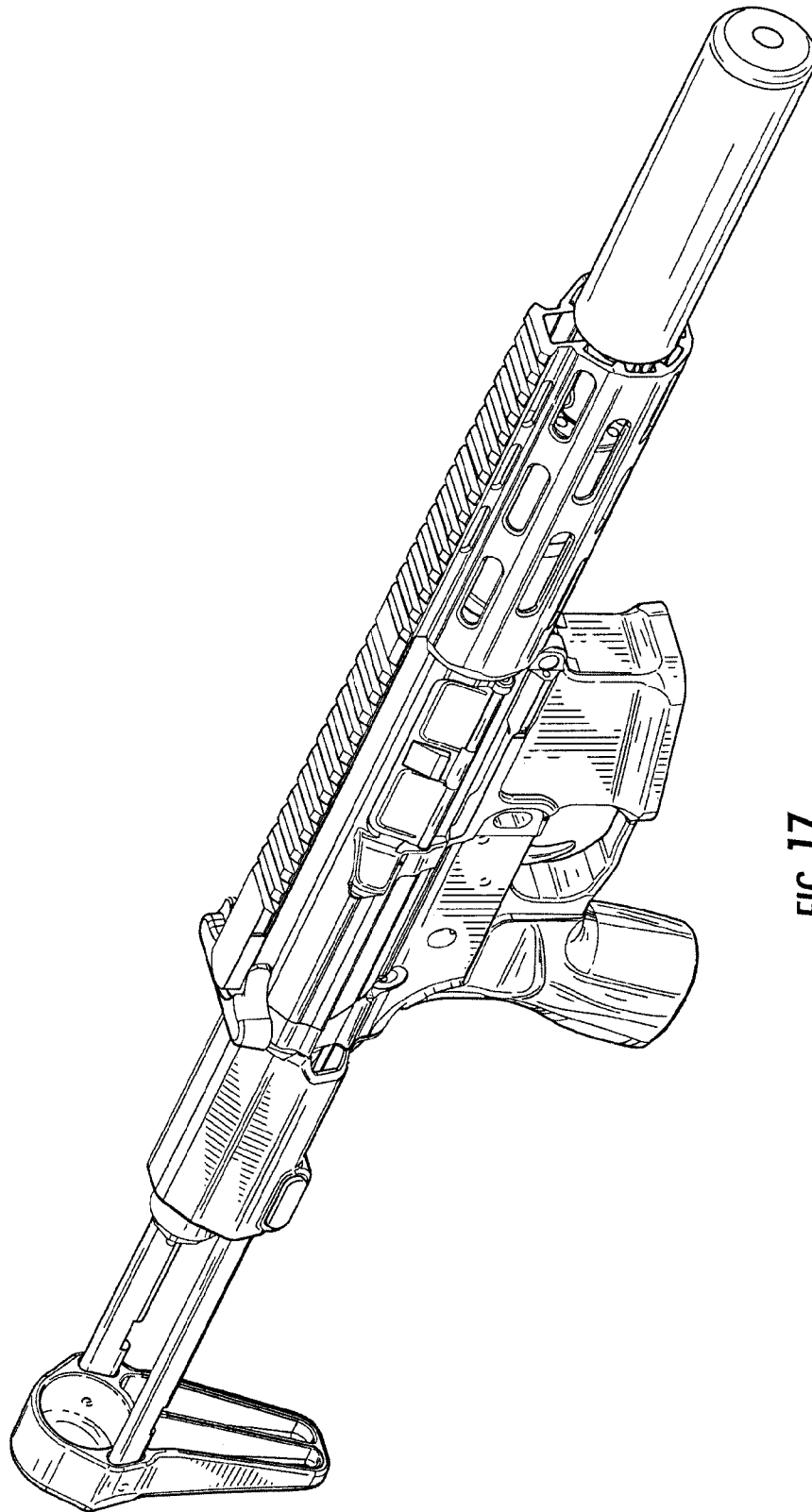


FIG. 17

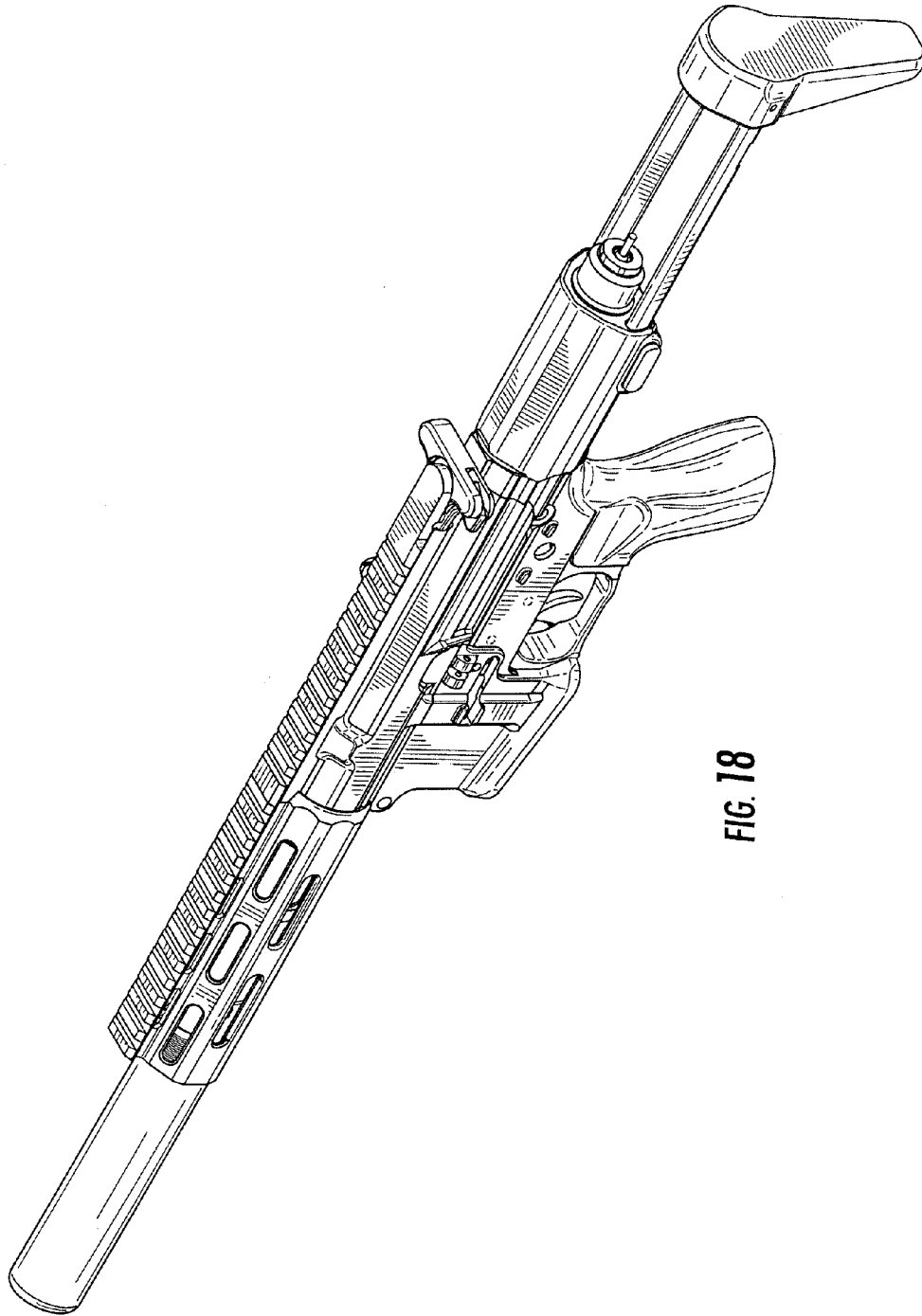


FIG 18



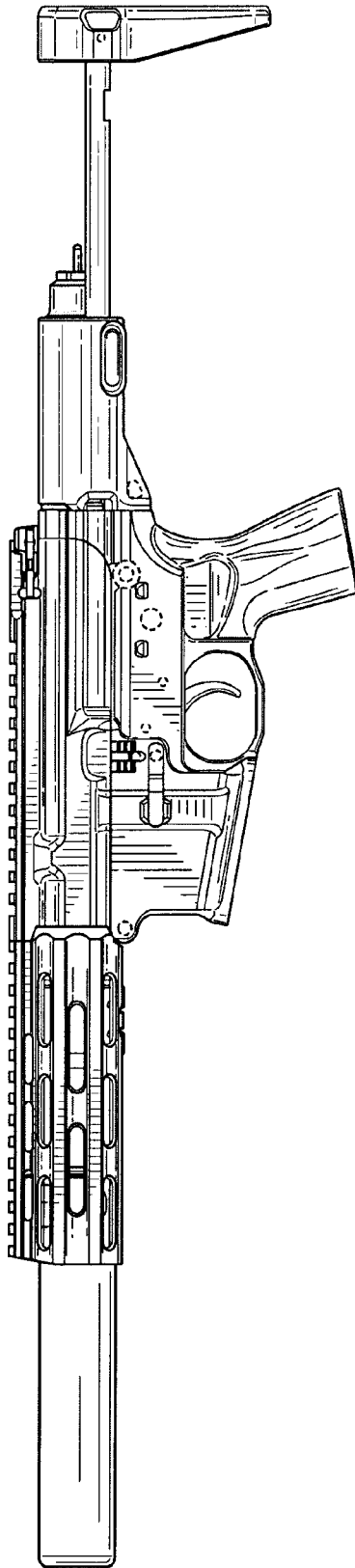


FIG. 19

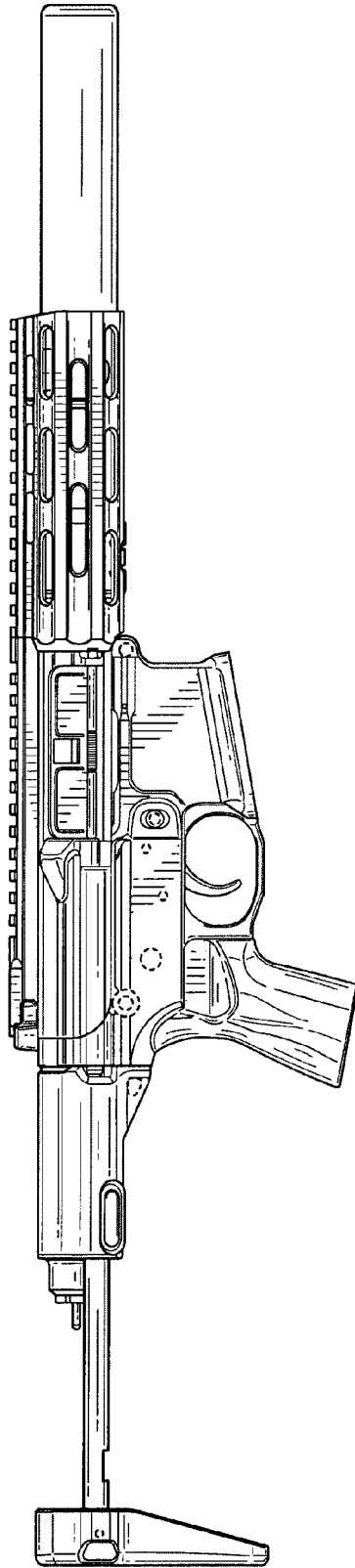


FIG. 20

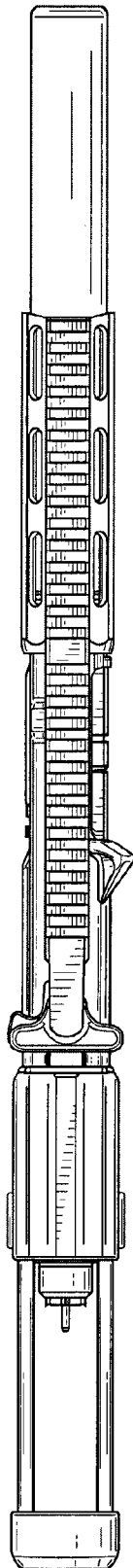


FIG. 21

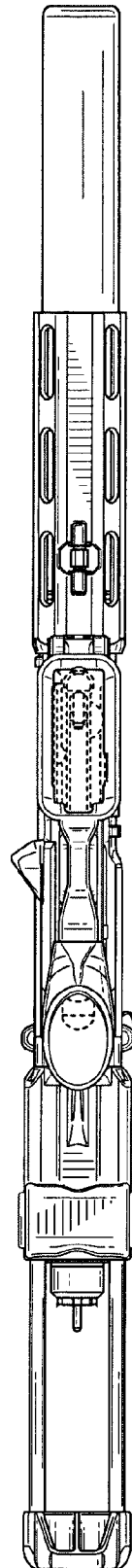
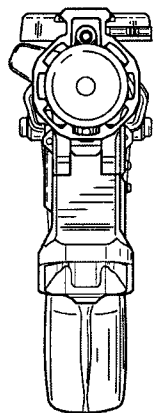
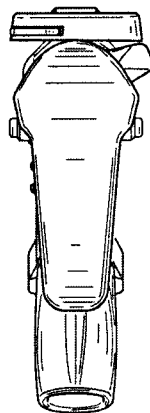


FIG. 22



**FIG. 23**



**FIG. 24**

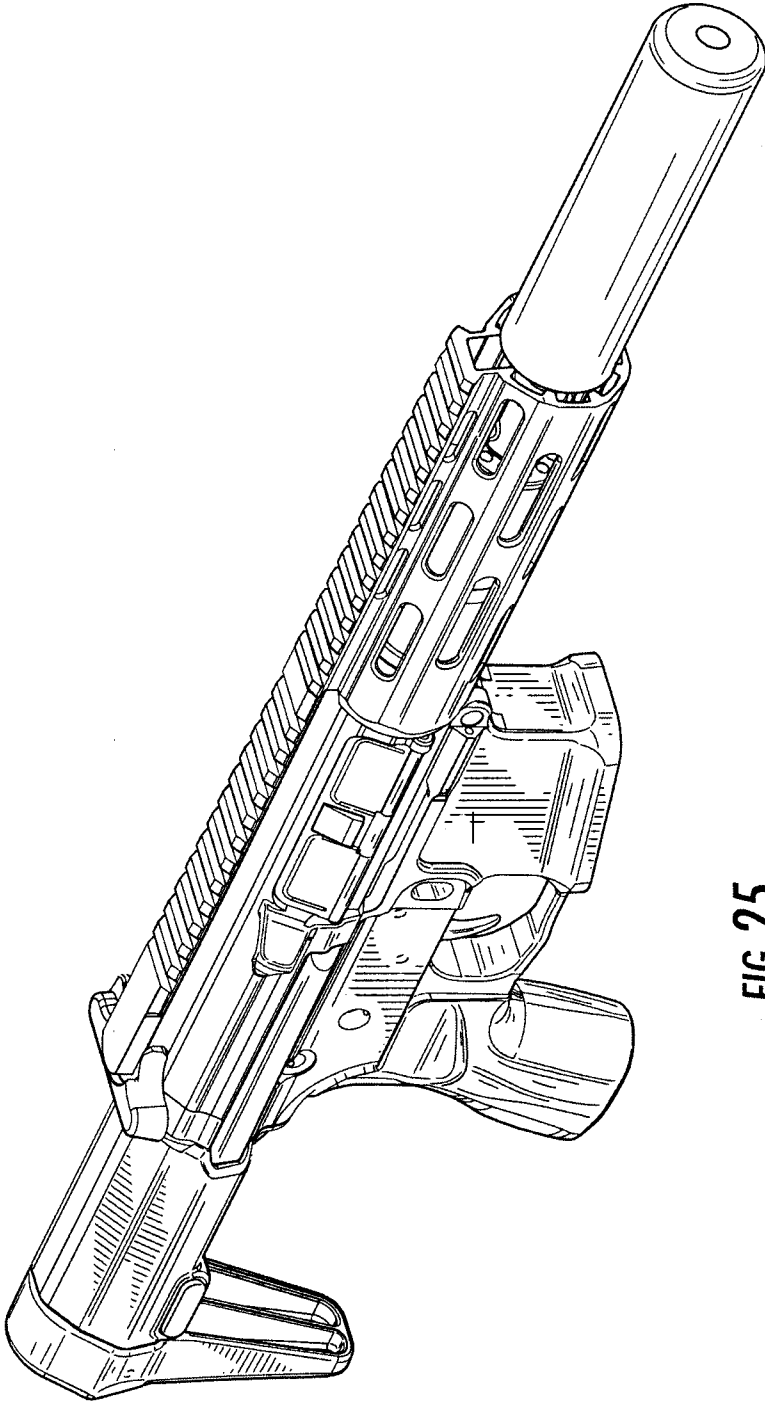


FIG. 25



FIG. 26

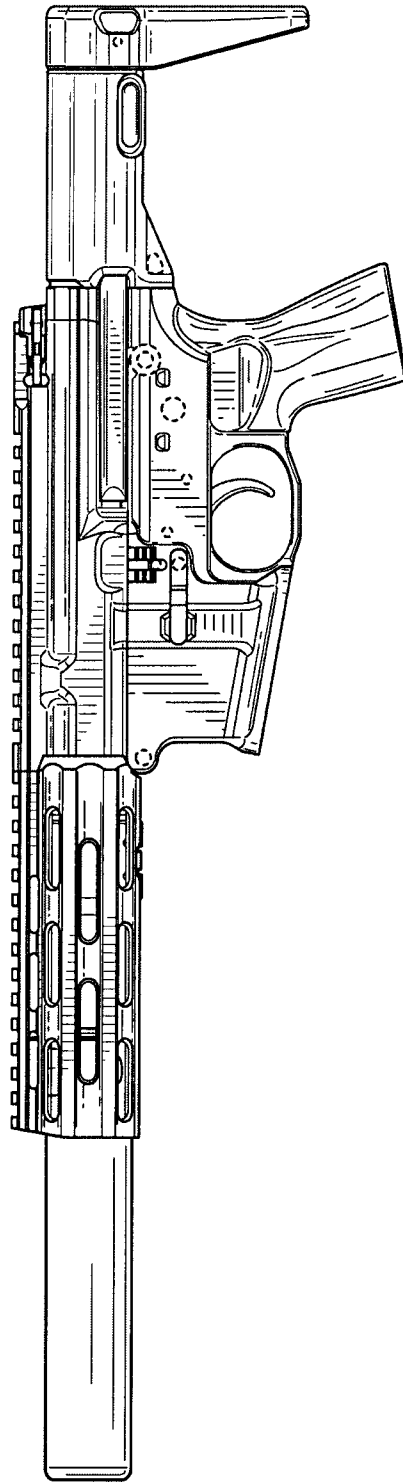


FIG. 27

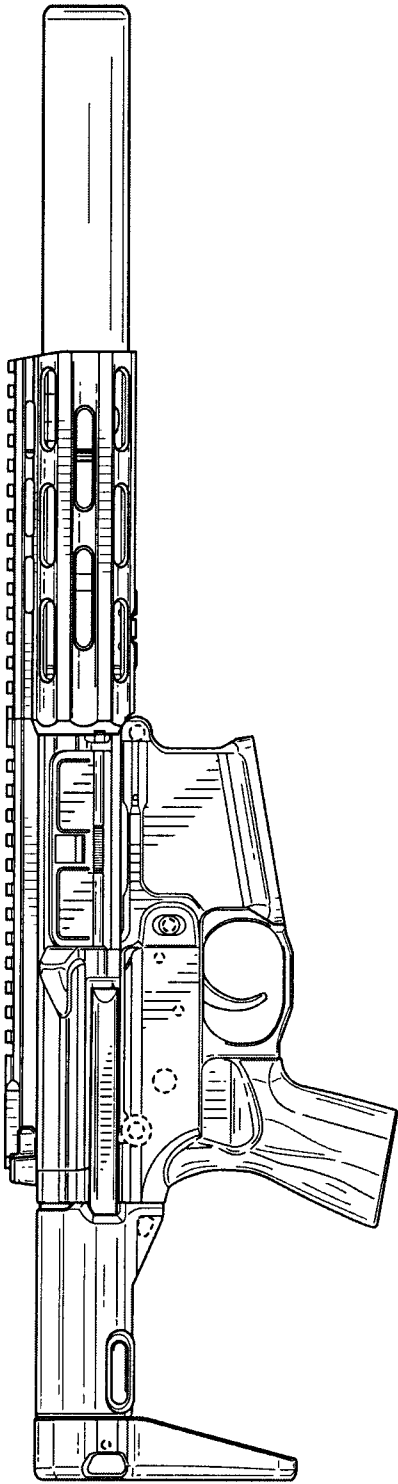


FIG. 28



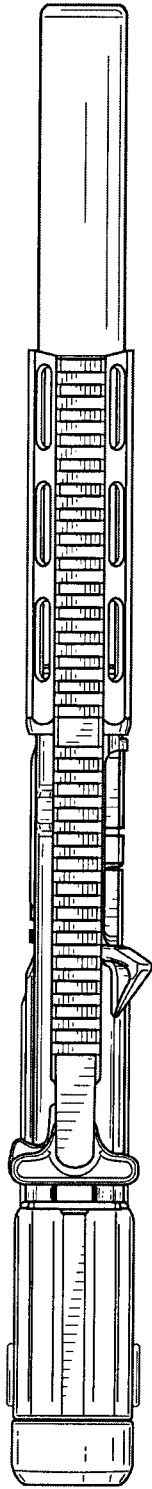


FIG. 29

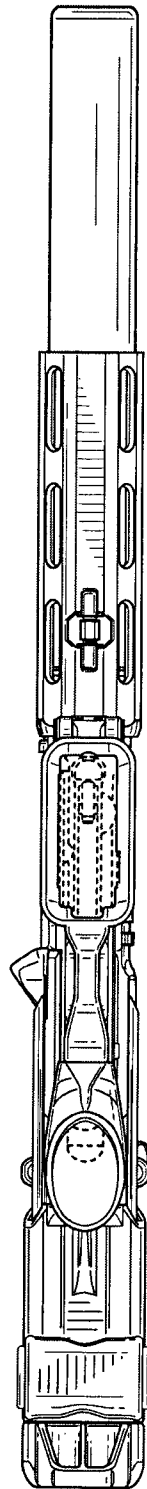
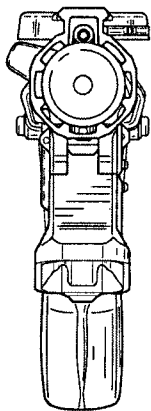
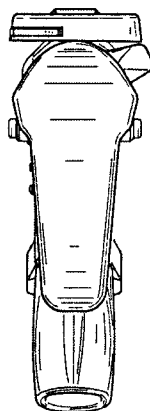


FIG. 30



**FIG. 31**



**FIG. 32**