



(12) **United States Design Patent**
Rollinson et al.

(10) **Patent No.:** **US D869,583 S**
(45) **Date of Patent:** **** Dec. 10, 2019**

(54) **PUTTER HEAD**

(71) Applicant: **Callaway Golf Company**, Carlsbad, CA (US)
(72) Inventors: **Augustin W. Rollinson**, Solana Beach, CA (US); **David Handy**, Carlsbad, CA (US)
(73) Assignee: **Callaway Golf Company**, Carlsbad, CA (US)
(**) Term: **15 Years**

(21) Appl. No.: **29/667,152**

(22) Filed: **Oct. 18, 2018**

(51) **LOC (12) Cl.** **21-02**

(52) **U.S. Cl.**
USPC **D21/743**

(58) **Field of Classification Search**
USPC D21/736-746, 759
CPC A63B 53/00; A63B 53/04; A63B 53/007; A63B 53/065; A63B 53/0487; A63B 60/00; A63B 60/46
See application file for complete search history.

(56) **References Cited**

U.S. PATENT DOCUMENTS

D207,227 S *	3/1967	Solheim	D21/739
D239,951 S *	5/1976	Carrier	D21/742
D389,207 S *	1/1998	Cameron	D21/742
D426,599 S *	6/2000	Morgan	D21/736
D443,906 S *	6/2001	Hettinger	D21/743
D449,085 S *	10/2001	Breier	D21/744
D485,320 S *	1/2004	Breier	D21/736
D498,276 S *	11/2004	Schweigert	D21/743
D521,580 S *	5/2006	Burrows	D21/736
D535,712 S *	1/2007	Toroussian	D21/749
D548,294 S *	8/2007	Nguyen	D21/736
D552,196 S *	10/2007	Hueber	D21/742

D562,921 S *	2/2008	Nguyen	D21/742
D574,909 S *	8/2008	Jones	D21/743
D583,887 S *	12/2008	Cameron	D21/743
D590,462 S *	4/2009	Hettinger	D21/743
D599,423 S *	9/2009	Serrano	D21/736
D620,993 S *	8/2010	Laub	D21/746
7,927,226 B1 *	4/2011	Twitty	A63B 53/0487 473/251
D638,892 S *	5/2011	Hettinger	D21/743
D643,893 S *	8/2011	Rollinson	D21/742
D648,407 S *	11/2011	Teramoto	D21/743
D650,456 S *	12/2011	Tang	D21/743
D691,225 S *	10/2013	Hilton	D21/736
9,033,812 B2 *	5/2015	Solheim	A63B 53/007 473/238
D769,383 S *	10/2016	Abbott	D21/743
D796,597 S *	9/2017	Serrano	D21/736
D817,424 S *	5/2018	Toulon	D21/759
D817,425 S *	5/2018	Toulon	D21/759

(Continued)

Primary Examiner — Mitchell I. Siegel

(74) *Attorney, Agent, or Firm* — Rebecca Hanovice; Michael Catania; Sonia Lari

(57) **CLAIM**

The ornamental design for a putter head, as shown and described.

DESCRIPTION

FIG. 1 is a rear perspective view of the putter head claimed herein;

FIG. 2 is a rear elevational view thereof;

FIG. 3 is a front elevational view thereof;

FIG. 4 is a right side elevational view thereof;

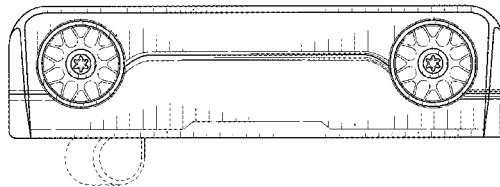
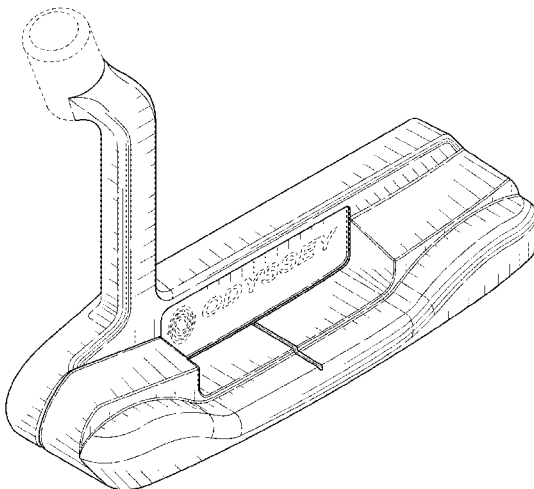
FIG. 5 is a left side elevational view thereof;

FIG. 6 is a top plan view thereof; and,

FIG. 7 is a bottom plan view thereof.

The broken lines shown are included for the purpose of illustrating unclaimed subject matter and forms no part of the claimed design.

1 Claim, 4 Drawing Sheets



(56)

References Cited

U.S. PATENT DOCUMENTS

D818,551 S *	5/2018	Toulon	D21/759
D832,379 S *	10/2018	Jertson	D21/736
D837,315 S *	1/2019	Rollinson	D21/743
D852,301 S *	6/2019	Serrano	D21/743
D857,135 S *	8/2019	Serrano	D21/736

* cited by examiner

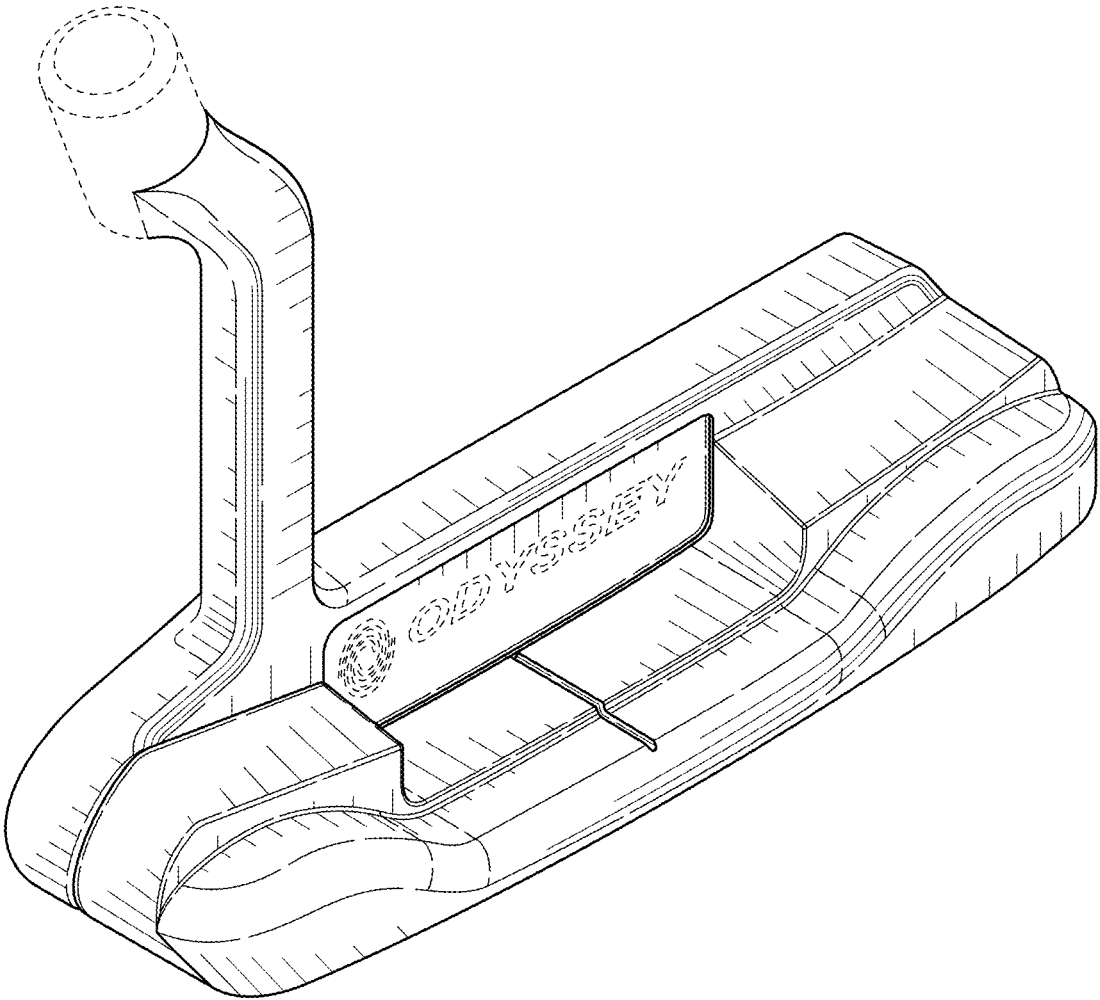


FIG. 1

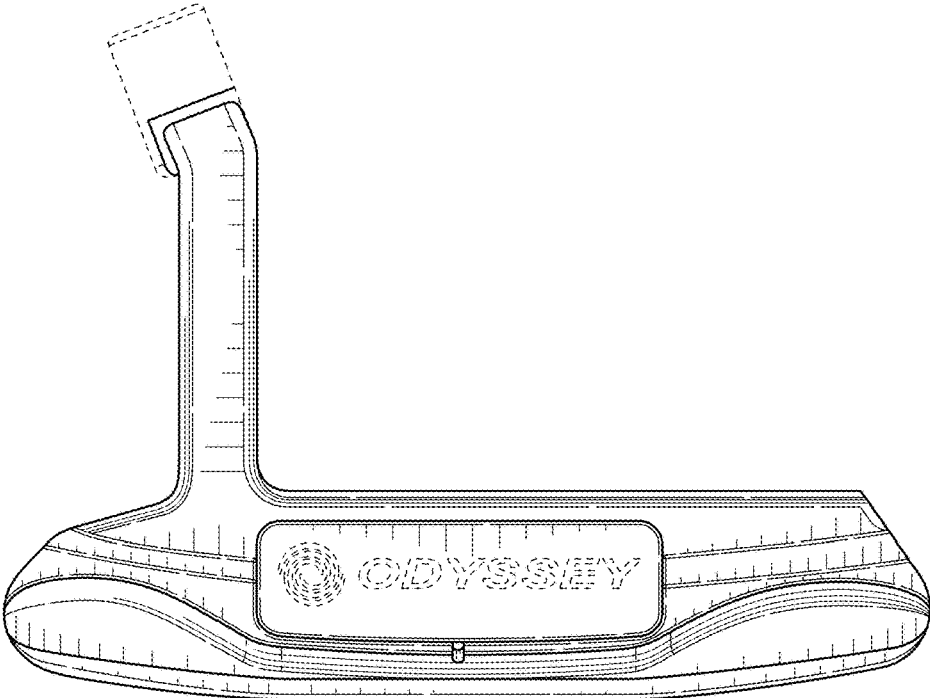


FIG. 2

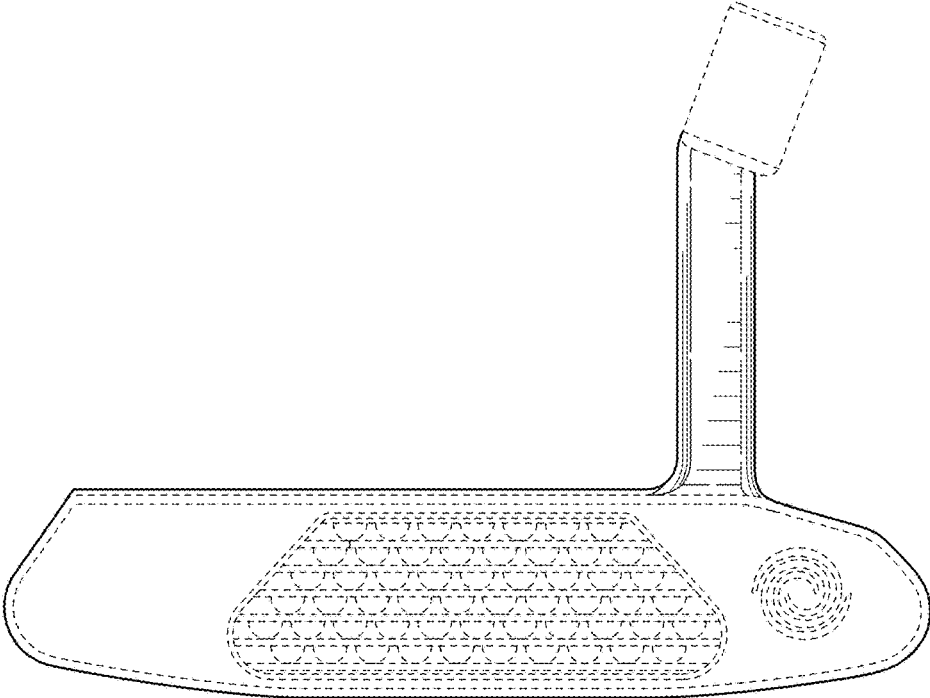


FIG. 3

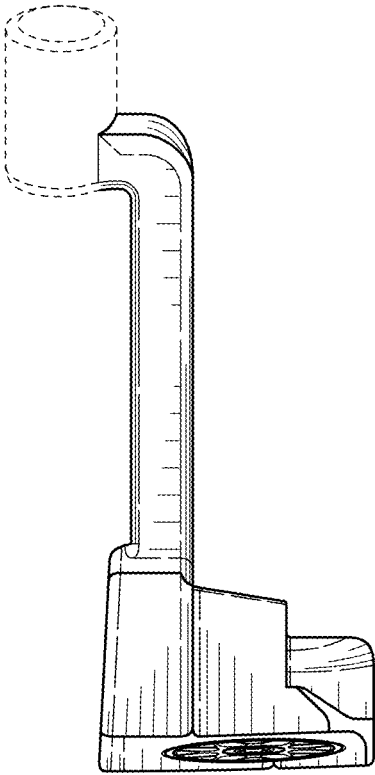


FIG. 4

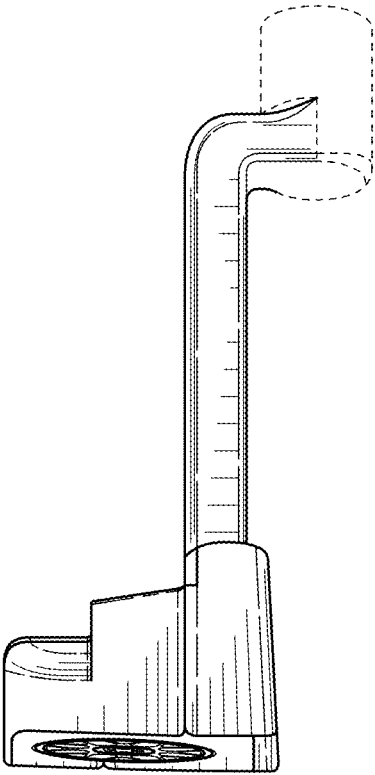


FIG. 5

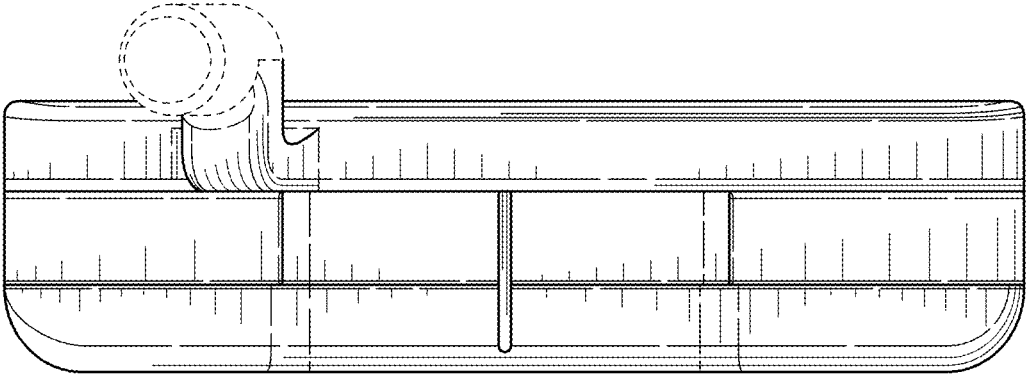


FIG. 6

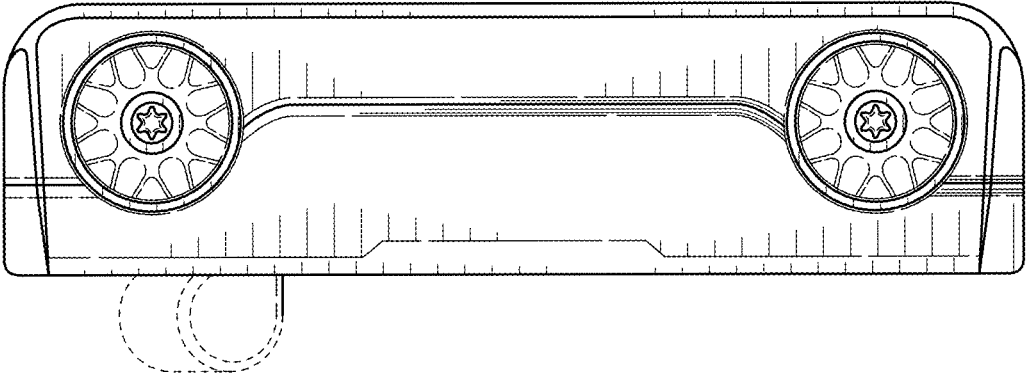


FIG. 7