



US00D769173S

(12) **United States Design Patent**
Chung

(10) **Patent No.:** **US D769,173 S**

(45) **Date of Patent:** **** Oct. 18, 2016**

(54) **AUTOMOTIVE WHEEL**

(71) Applicant: **Suny Chung**, Anaheim, CA (US)

(72) Inventor: **Suny Chung**, Anaheim, CA (US)

(**) Term: **15 Years**

(21) Appl. No.: **29/542,065**

(22) Filed: **Oct. 9, 2015**

(51) **LOC (10) Cl.** **12-16**

(52) **U.S. Cl.**
USPC **D12/211**

(58) **Field of Classification Search**
USPC D12/204, 205, 206, 207, 208, 209, 210,
D12/211, 212, 213
CPC B60B 7/00; B60B 7/01; B60B 7/02;
B60B 7/04; B60B 7/06; B60B 3/02; B60B
3/04; B60B 3/06; B60B 3/10; B60B 1/00;
B60B 1/08; B60B 1/10; B60B 1/12
See application file for complete search history.

(56) **References Cited**

U.S. PATENT DOCUMENTS

D458,208 S *	6/2002	Hartl	D12/211
D480,037 S *	9/2003	Takechi	D12/211
D495,985 S *	9/2004	Lai	D12/209
D497,869 S *	11/2004	Guevara	D12/211
D505,651 S *	5/2005	Arellano	D12/211
D515,996 S *	2/2006	Baumgartner	D12/209
D596,100 S *	7/2009	Aroney	D12/211
D627,701 S *	11/2010	Hilpert	D12/211
D641,302 S *	7/2011	Ettensberger	D12/211
D682,765 S *	5/2013	Alfonso	D12/211
D682,766 S *	5/2013	Zhao	D12/211
D690,643 S *	10/2013	Kern	D12/211
D703,124 S *	4/2014	Gallert	D12/209

D703,602 S *	4/2014	Kern	D12/211
D712,329 S *	9/2014	Borkert	D12/209
D730,261 S *	5/2015	Johnson	D12/211
D731,944 S *	6/2015	Kern	D12/211
D736,136 S *	8/2015	Hale, Jr.	D12/213
D741,776 S *	10/2015	Zhao	D12/211
D749,030 S *	2/2016	Zhao	D12/211
D753,041 S *	4/2016	Kim	D12/209
D755,103 S *	5/2016	Hans	D12/211
D755,106 S *	5/2016	Tanaka	D12/213
D758,277 S *	6/2016	Alfonso	D12/211
D758,278 S *	6/2016	Behmer	D12/211
D764,366 S *	8/2016	Zhao	D12/208

OTHER PUBLICATIONS

<http://www.thewheelconnection.com/wheels/Speedy/Bullett/Machined?brandsearch=1>—Retrieved Aug. 29, 2016.*
<http://www.ityre.com/en/disks/catalog/oxigin/4937/>—Retrieved Aug. 29, 2016.*

* cited by examiner

Primary Examiner — Manpreet Matharu

Assistant Examiner — Mojtaba Tehrani

(57) **CLAIM**

The ornamental design for an automotive wheel, as shown and described.

DESCRIPTION

FIG. 1 is a perspective view of an automotive wheel, showing my new design; and, FIG. 2 is a front view thereof. The broken line showing of the rear portion of the wheel is included for the purpose of illustrating environment and forms no part of the claimed design.

1 Claim, 2 Drawing Sheets

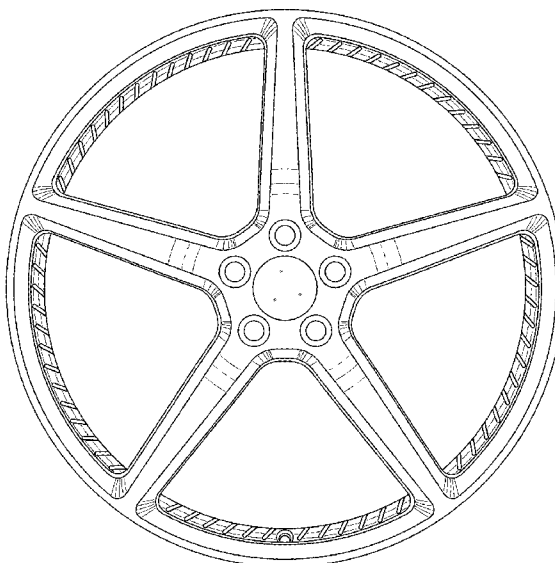
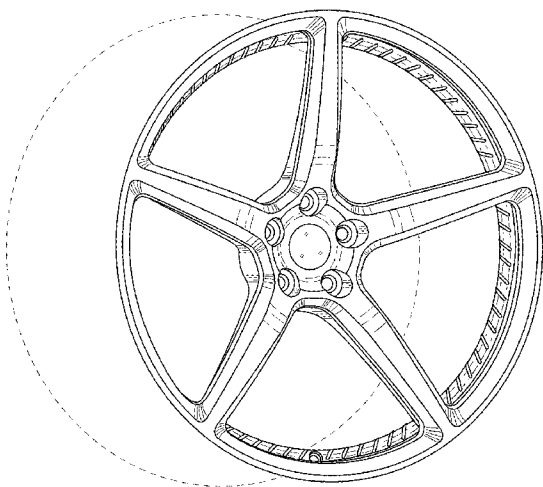


FIGURE 1

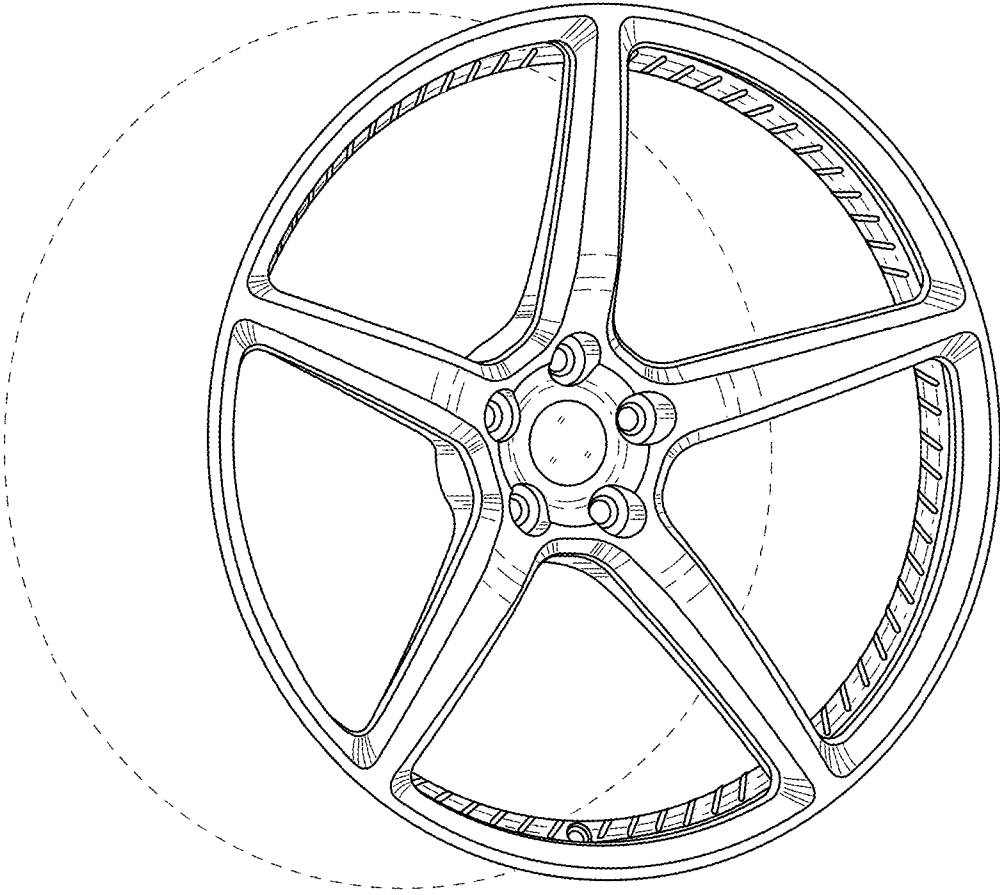


FIGURE 2

