



US00D812836S

(12) **United States Design Patent**
Wohlstadter et al.

(10) **Patent No.:** **US D812,836 S**

(45) **Date of Patent:** **** Mar. 13, 2018**

(54) **CART**

D455,881 S * 4/2002 Aryans D34/12
D478,199 S * 8/2003 Presnell D34/20
D487,604 S * 3/2004 Van Landingham, Jr. D34/12

(71) Applicant: **Meso Scale Technologies, LLC.**,
Rockville, MD (US)

(Continued)

(72) Inventors: **Jacob N. Wohlstadter**, Potomac, MD
(US); **Rodger Darin Osborne**, Stuart,
FL (US); **Jennifer Parker**, Frederick,
MD (US); **Aaron Leimkuehler**, Upper
St. Clair, PA (US); **Manish Kochar**,
Rockville, MD (US); **Peter Bosco**,
Rockville, MD (US); **Michael Wade**,
Urbana, MD (US)

FOREIGN PATENT DOCUMENTS

CN 302517429 S 7/2013
CN 302864165 S 7/2014
TW D154013 S 6/2013

(73) Assignee: **Meso Scale Technologies, LLC.**,
Rockville, MD (US)

OTHER PUBLICATIONS

Taiwan IPO Search Report dated Aug. 25, 2017 received in Taiwan
Design Patent Application No. 106300422, together with an Eng-
lish-language translation.

(Continued)

(**) Term: **15 Years**

Primary Examiner — Cynthia Ramirez

Assistant Examiner — Michael A Maharajh

(21) Appl. No.: **29/571,985**

(74) *Attorney, Agent, or Firm* — Scully, Scott, Murphy &
Presser, P.C.

(22) Filed: **Jul. 22, 2016**

(57) **CLAIM**

The ornamental design for a cart, as shown and described.

(51) **LOC (11) Cl.** **12-02**

(52) **U.S. Cl.**
USPC **D34/12; D34/14; D34/17**

DESCRIPTION

(58) **Field of Classification Search**
USPC 180/20; 280/19, 33.991, 33.992, 33.995,
280/33.996, 33.997, 47.24, 47.27, 47.34,
280/47.35, 47.38, 638, 647, 651, 659,
280/79.11, 79.2, 79.3; 312/249.8, 249;
D12/129; D34/12, 14, 15, 16, 17, 18, 19,
D34/20, 21, 22–27
CPC .. B62B 5/06; B62B 3/005; B62B 5/00; B62B
11/00
See application file for complete search history.

FIG. 1 is a perspective view of the cart showing a first
embodiment of our new and ornamental design;
FIG. 2 is a top view thereof;
FIG. 3 is a back view thereof;
FIG. 4 is a front view thereof;
FIG. 5 is side view thereof;
FIG. 6 is a perspective view of the cart showing a second
embodiment of our new and ornamental design;
FIG. 7 is a top view thereof;
FIG. 8 is a back view thereof;
FIG. 9 is a front view thereof; and,
FIG. 10 is a side view thereof.

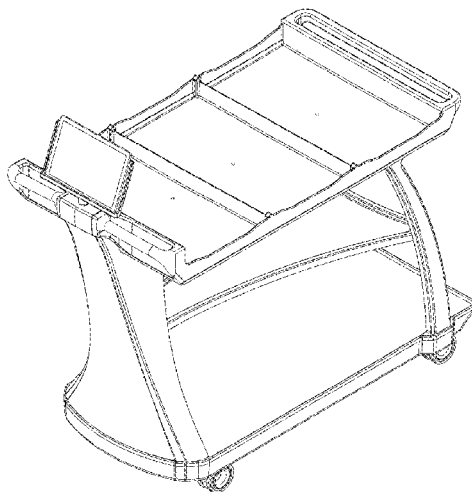
The portions of the cart shown in broken lines shown in the
figures attached hereto form no part of the claimed design.

(56) **References Cited**

U.S. PATENT DOCUMENTS

D323,915 S * 2/1992 Welch D34/20
D361,187 S * 8/1995 Snell D34/19

1 Claim, 6 Drawing Sheets



(56)

References Cited

U.S. PATENT DOCUMENTS

D491,709	S *	6/2004	Wise	D34/18
D546,017	S *	7/2007	Wise	D34/19
7,401,796	B1 *	7/2008	Greco	A47B 21/00
					280/47.34
D608,969	S *	1/2010	Wise	D34/12
D618,418	S *	6/2010	Catron	D34/12
D618,419	S *	6/2010	Catron	D34/12
D653,830	S *	2/2012	Maddux	D34/17
8,602,426	B2 *	12/2013	Long	B62B 5/065
					280/33.997
D796,145	S *	8/2017	Ruttan	D34/19
2004/0212162	A1 *	10/2004	Calmeise	B62B 3/006
					280/47.35
2011/0272901	A1 *	11/2011	Inderbitzin	A61G 12/001
					280/29

OTHER PUBLICATIONS

Taiwan IPO Search Report dated Aug. 25, 2017 received in Taiwan Design Patent Application No. 106300423, together with an English-language translation.

* cited by examiner

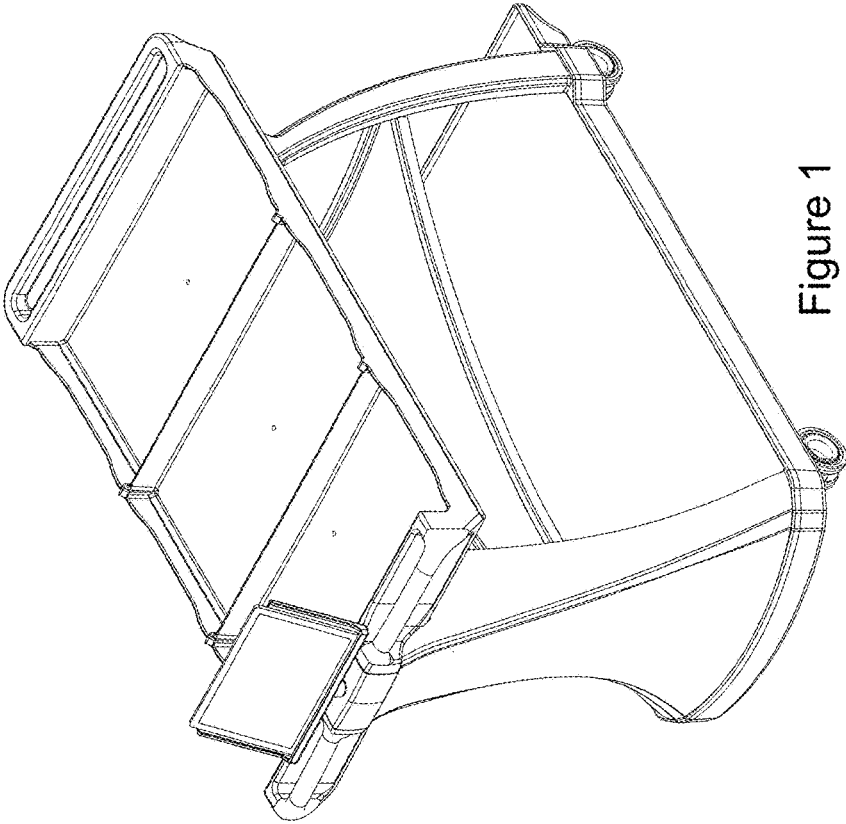


Figure 1

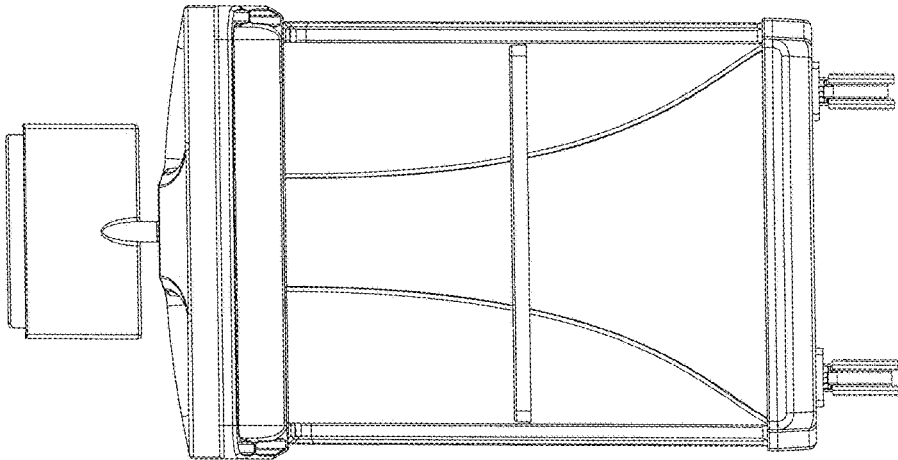


Figure 3

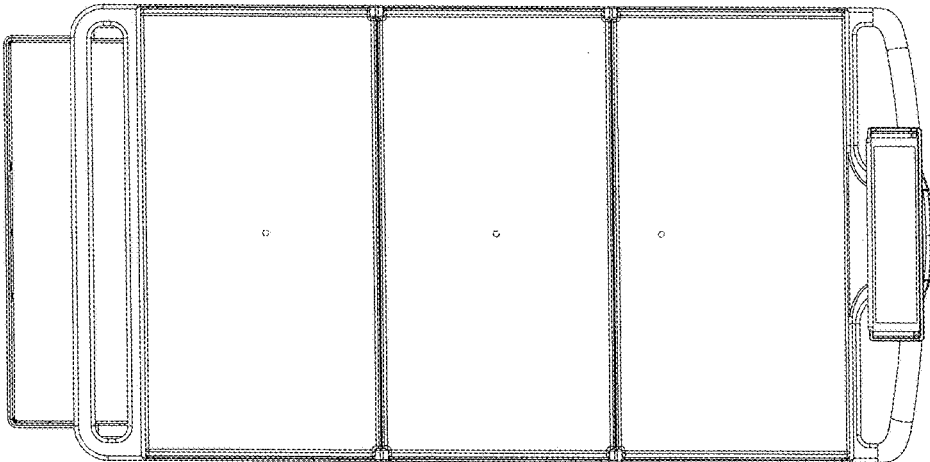


Figure 2

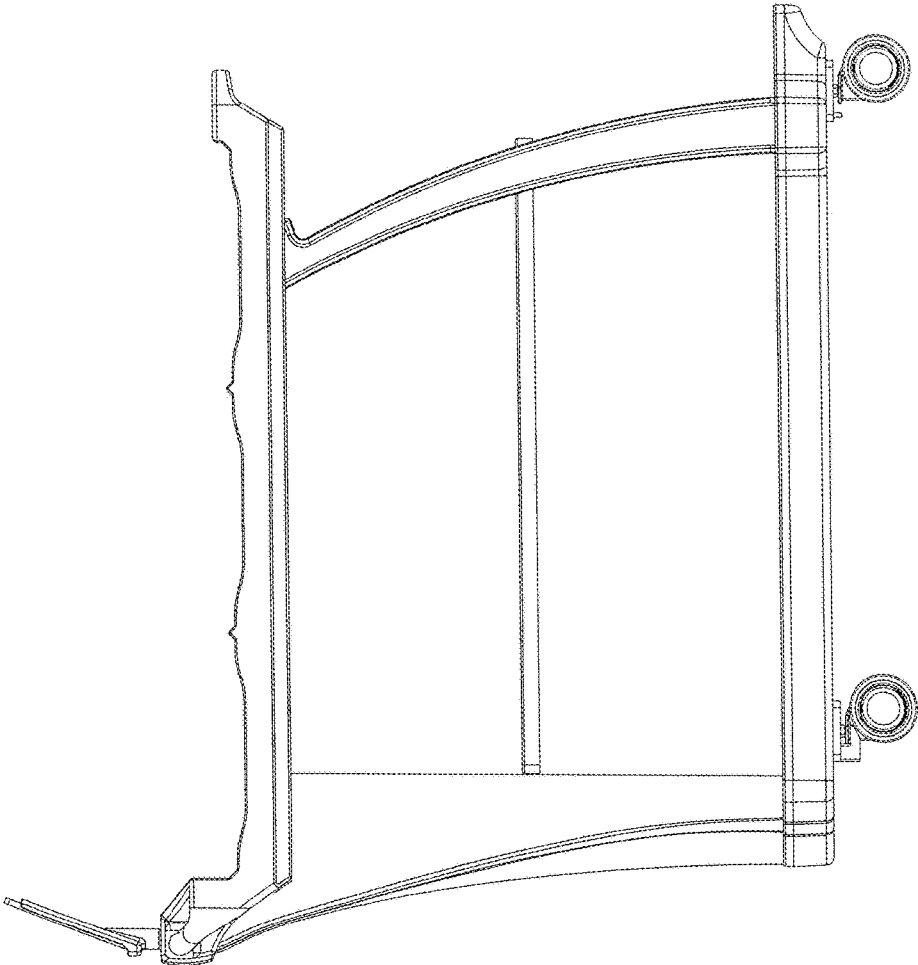


Figure 5

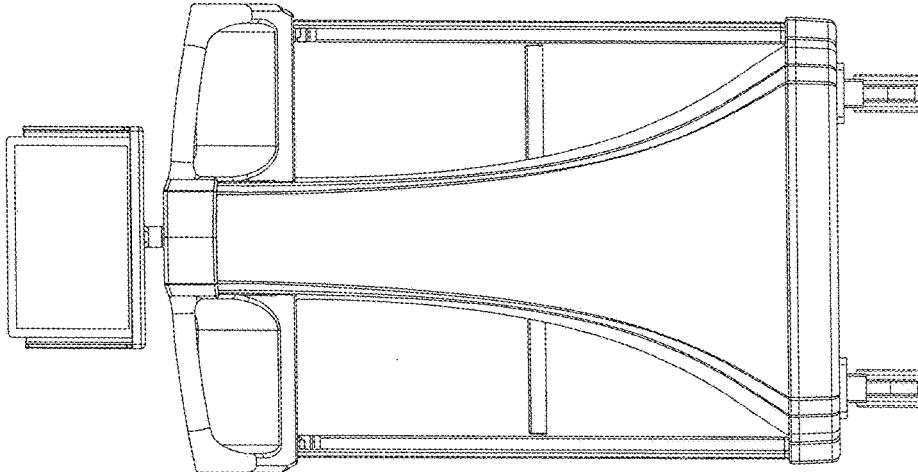


Figure 4

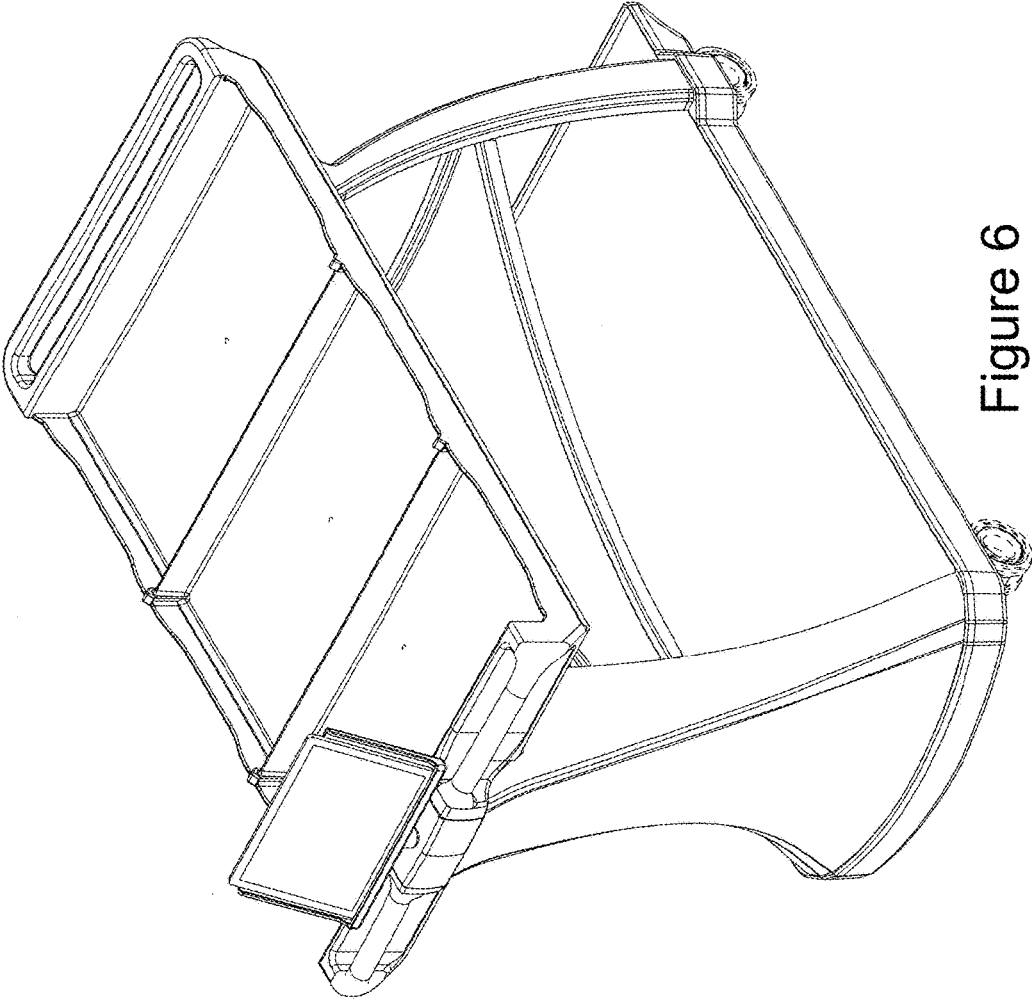


Figure 6

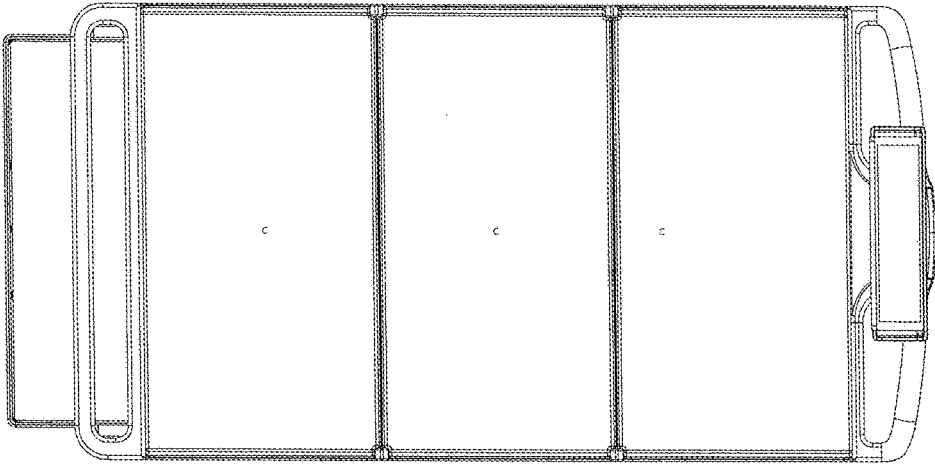


Figure 7

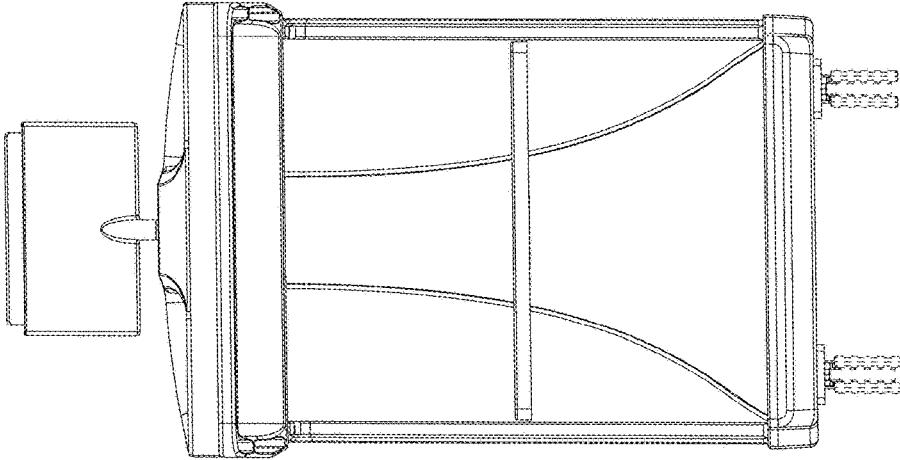


Figure 8

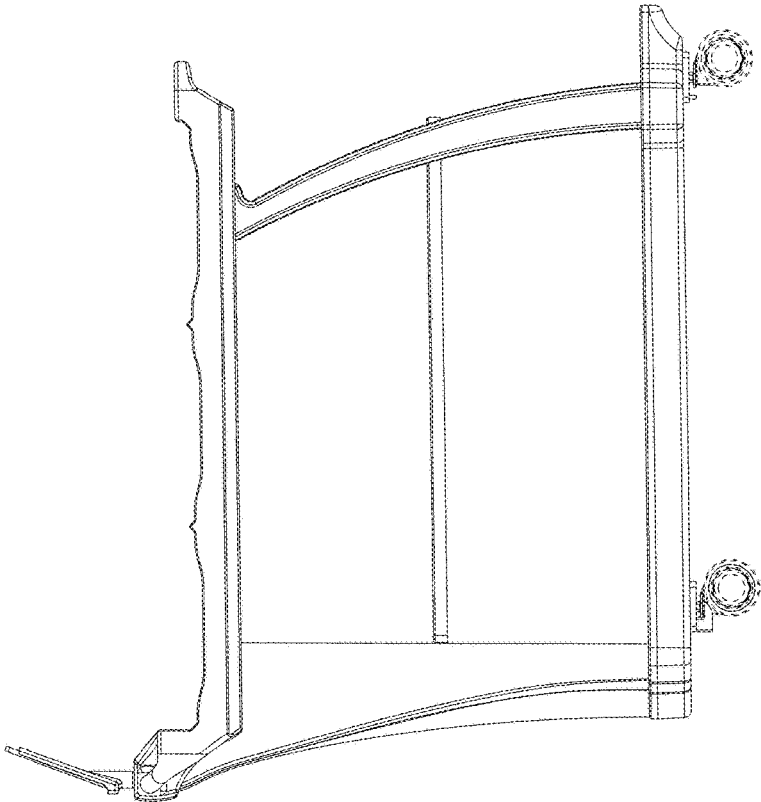


Figure 10

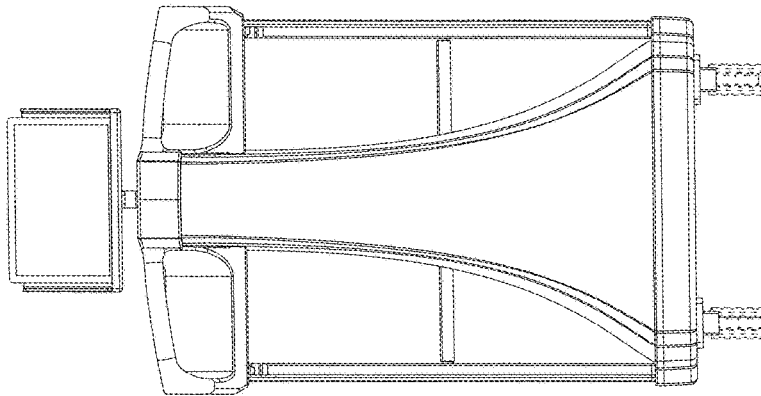


Figure 9