



(12) **United States Design Patent**
Spring

(10) **Patent No.:** **US D1,027,290 S**
(45) **Date of Patent:** **** May 14, 2024**

(54) **SMOKING APPARATUS**
(71) Applicant: **Michael Spring**, Tukwila, WA (US)
(72) Inventor: **Michael Spring**, Tukwila, WA (US)
(**) Term: **15 Years**
(21) Appl. No.: **29/852,820**

D961,151 S * 8/2022 Cleveland D27/163
D977,187 S * 1/2023 Santos D27/162
D991,550 S * 7/2023 Hurley D27/163
D1,001,354 S * 10/2023 Qin D27/162
2003/0079755 A1* 5/2003 Liu A24F 1/20
131/342
2004/0173223 A1* 9/2004 Hu A24F 5/06
131/226
2009/0258117 A1* 10/2009 Lee A24F 1/32
426/514
2017/0099874 A1* 4/2017 Reimann A24F 1/32

(22) Filed: **Sep. 9, 2022**
(51) **LOC (14) Cl.** **27-02**
(52) **U.S. Cl.**
USPC **D27/162**
(58) **Field of Classification Search**
USPC D27/101, 163, 167, 169, 170, 171, 172,
D27/180, 181, 183, 193, 194
CPC A24F 7/00; A24F 7/02; A24F 7/04; A24F
1/00; A24F 1/08; A24F 1/18; A24F 1/28
See application file for complete search history.

OTHER PUBLICATIONS

Silicone Rubber Tobacco Pipe found on line (Nov. 3, 2023) <https://www.ebay.com/itm/392781717845> (Date not available).*

* cited by examiner

Primary Examiner — Rebecca Tsehaye
(74) *Attorney, Agent, or Firm* — Alloy Patent Law;
Walker Griffin Weitzel

(56) **References Cited**

U.S. PATENT DOCUMENTS

6,745,777 B2* 6/2004 Liu A24F 7/04
131/225
D582,094 S * 12/2008 Lee D27/163
D650,520 S * 12/2011 Timmermans D27/163
D790,765 S * 6/2017 Beer D27/101
D825,101 S * 8/2018 Hoch D27/162
D838,409 S * 1/2019 Reimann D27/162
10,231,483 B2* 3/2019 Garcia A24F 1/00
D847,418 S * 4/2019 Reimann D27/164
D904,679 S * 12/2020 Grigenas D27/162
D907,845 S * 1/2021 Collins D27/162
D909,671 S * 2/2021 Hoch D27/162
D926,364 S * 7/2021 Folmann D27/163
D932,688 S * 10/2021 Shigapov D27/162
D957,043 S * 7/2022 McCracken D27/162
D959,737 S * 8/2022 Kang D27/163

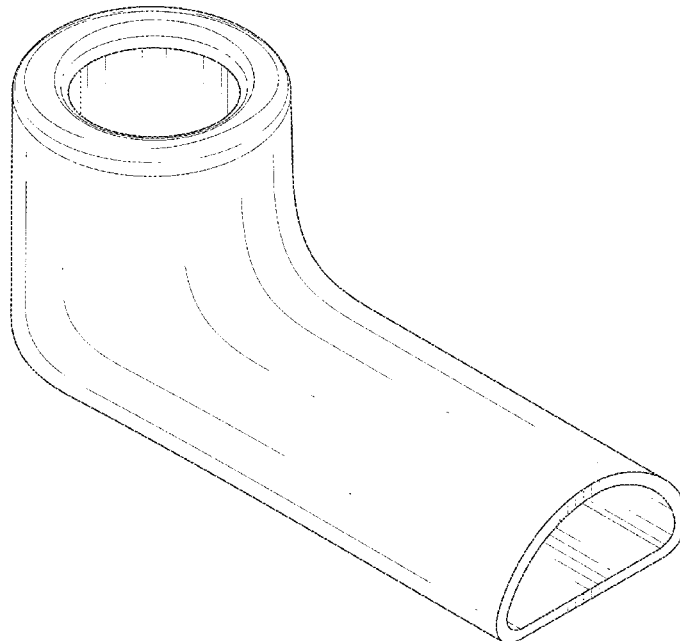
(57) **CLAIM**

The ornamental design for a smoking apparatus, as shown and described.

DESCRIPTION

FIG. 1 is a top-left-front isometric view of a smoking apparatus;
FIG. 2 is a bottom-left-front isometric view thereof;
FIG. 3 is a back view thereof;
FIG. 4 is a front view thereof;
FIG. 5 is a left view thereof;
FIG. 6 is a right view thereof;
FIG. 7 is a top view thereof; and,
FIG. 8 is a bottom view thereof.

1 Claim, 7 Drawing Sheets



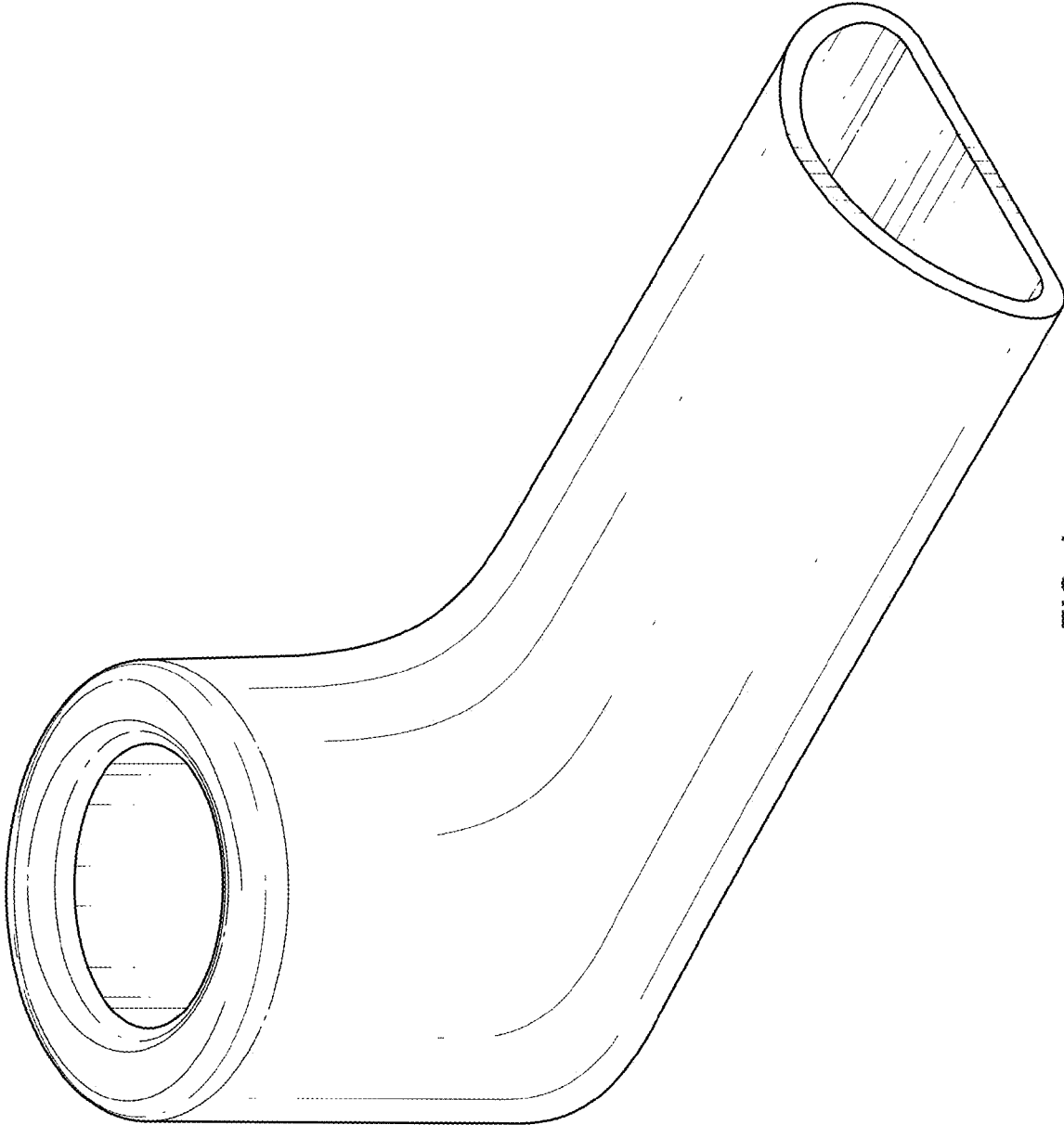


FIG. 1

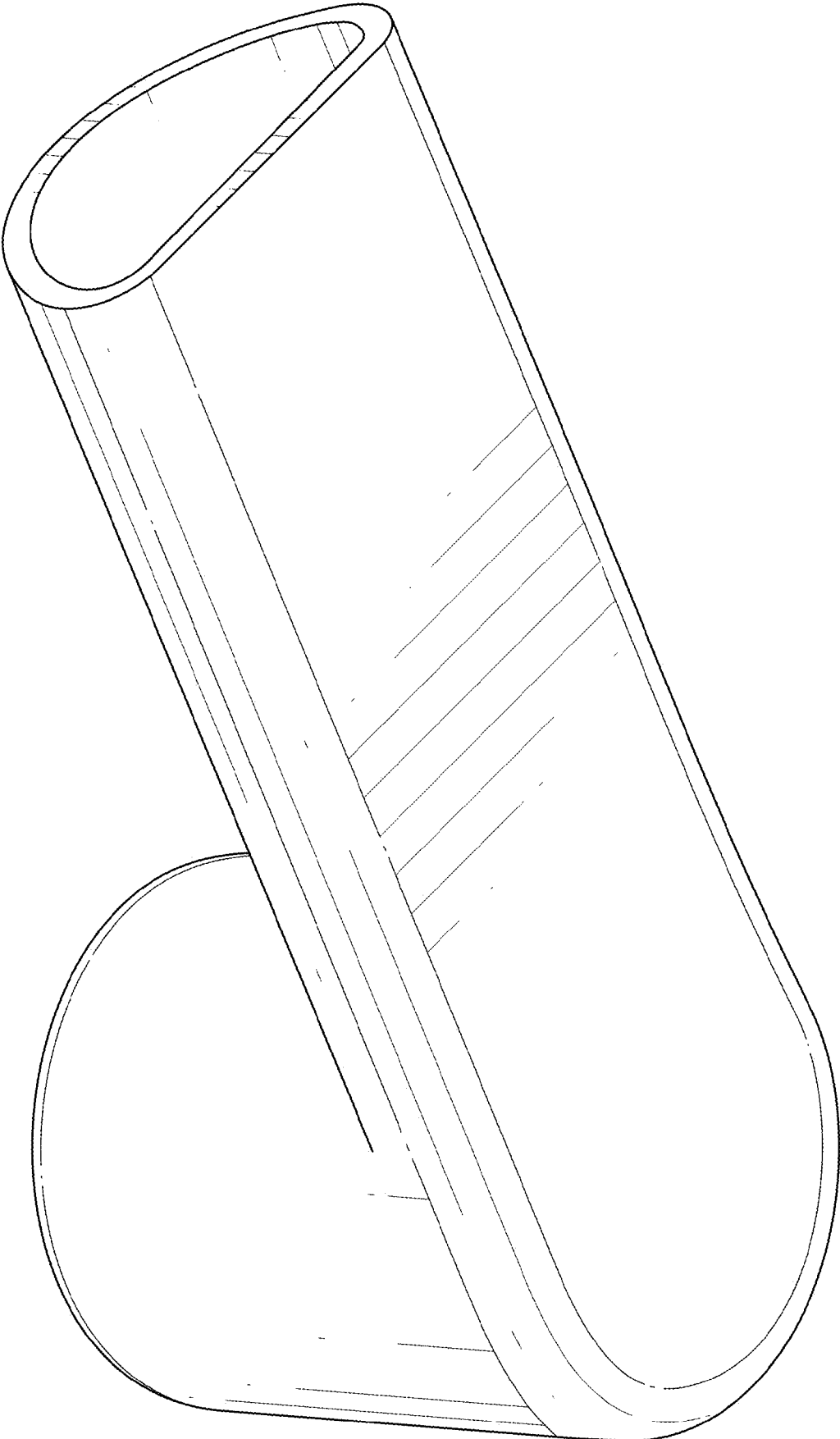


FIG. 2

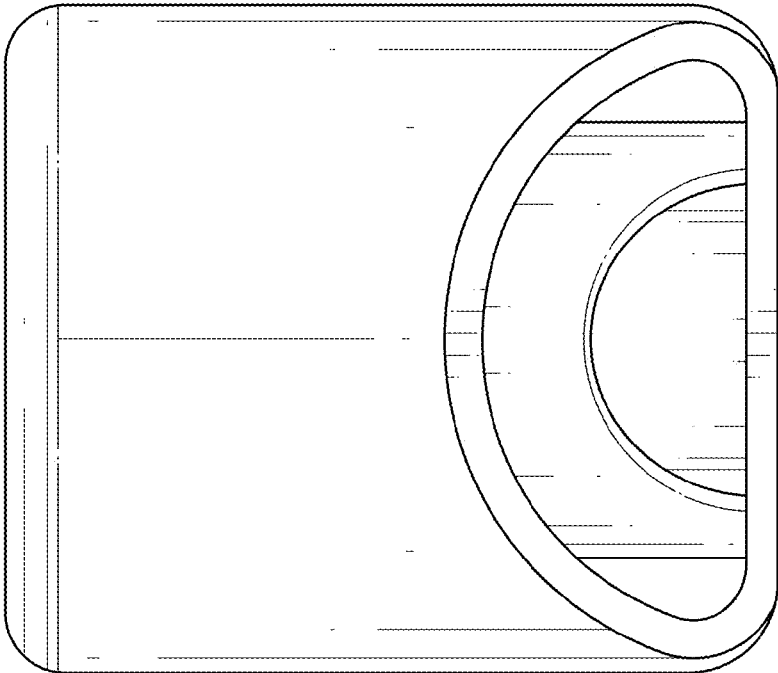


FIG. 4

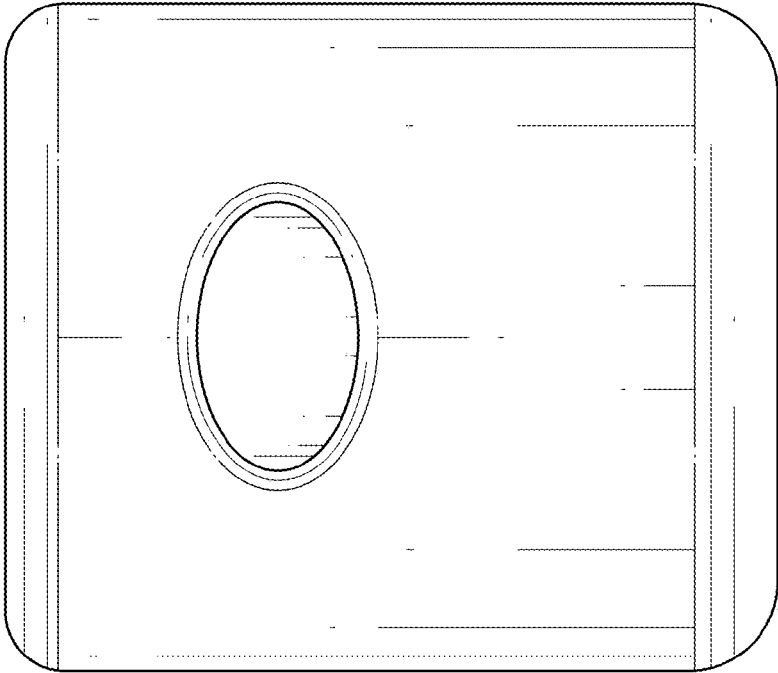


FIG. 3

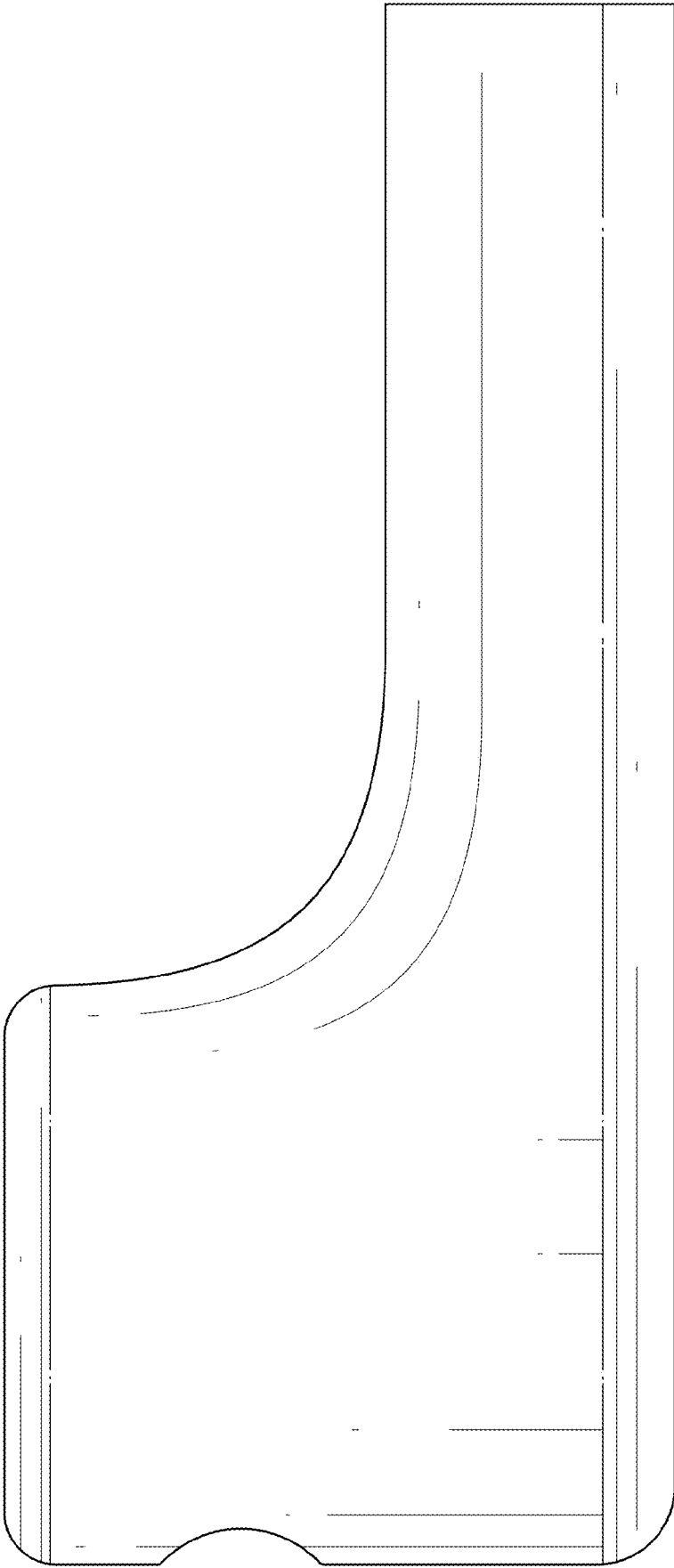


FIG. 5

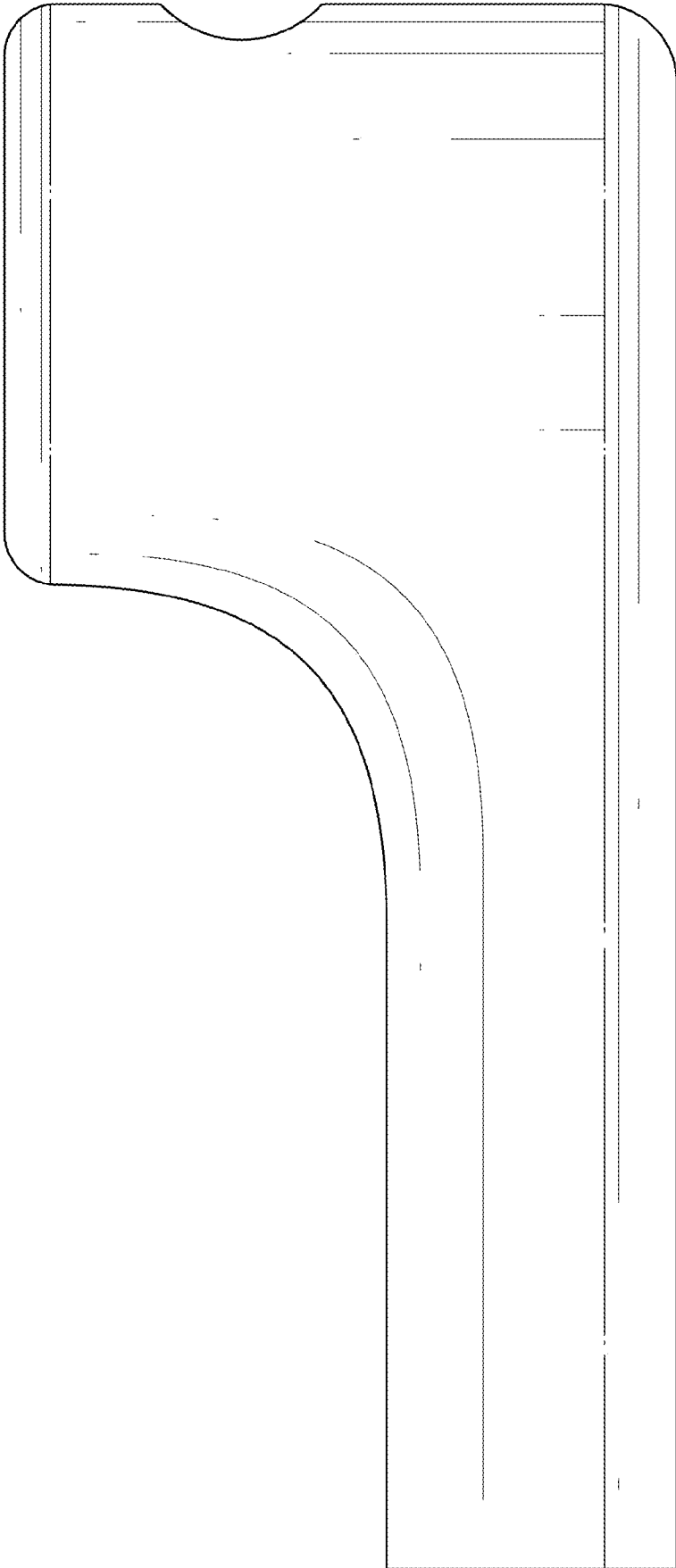


FIG. 6

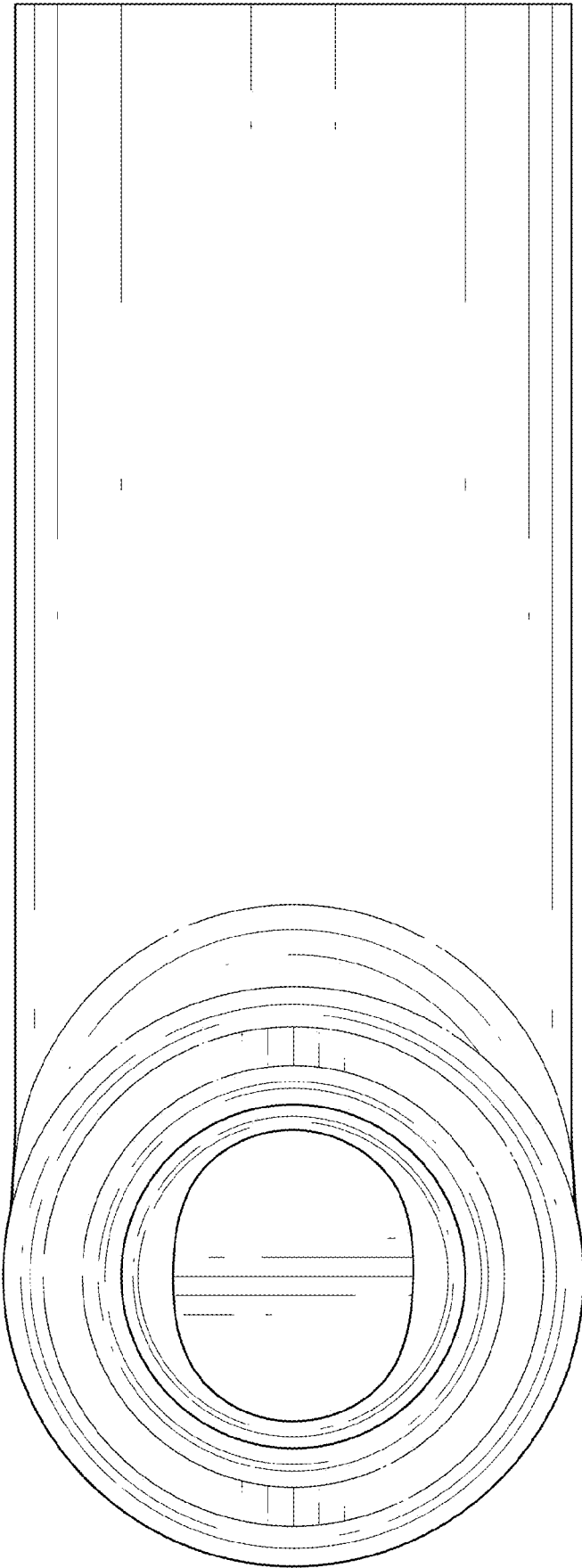


FIG. 7

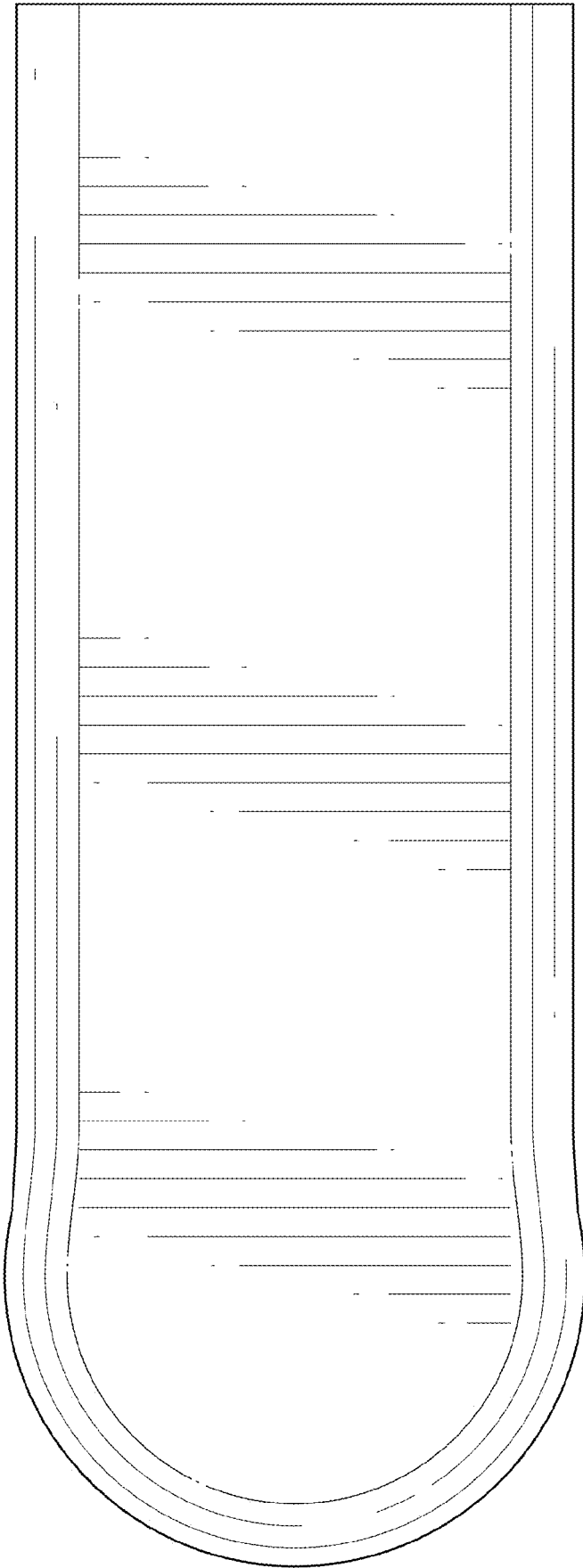


FIG. 8