

(19) World Intellectual Property Organization
International Bureau



(43) International Publication Date
27 September 2001 (27.09.2001)

PCT

(10) International Publication Number
WO 01/72001 A3

(51) International Patent Classification⁷: **H04Q 7/22**,
H04L 12/28, 12/56, H04M 15/00, H04L 29/06

(74) Agents: **HACKNEY, Nigel, J.** et al.; Mewburn Ellis, York House, 23 Kingsway, London, Greater London WC2B 6HP (GB).

(21) International Application Number: PCT/GB01/01235

(22) International Filing Date: 21 March 2001 (21.03.2001)

(25) Filing Language: English

(26) Publication Language: English

(81) Designated States (*national*): AE, AG, AL, AM, AT, AU, AZ, BA, BB, BG, BR, BY, BZ, CA, CH, CN, CO, CR, CU, CZ, DE, DK, DM, DZ, EE, ES, FI, GB, GD, GE, GH, GM, HR, HU, ID, IL, IN, IS, JP, KE, KG, KP, KR, KZ, LC, LK, LR, LS, LT, LU, LV, MA, MD, MG, MK, MN, MW, MX, MZ, NO, NZ, PL, PT, RO, RU, SD, SE, SG, SI, SK, SL, TJ, TM, TR, TT, TZ, UA, UG, US, UZ, VN, YU, ZA, ZW.

(30) Priority Data:
0006678.7 21 March 2000 (21.03.2000) GB
0018484.6 26 July 2000 (26.07.2000) GB
0018420.0 28 July 2000 (28.07.2000) GB

(84) Designated States (*regional*): ARIPO patent (GH, GM, KE, LS, MW, MZ, SD, SL, SZ, TZ, UG, ZW), Eurasian patent (AM, AZ, BY, KG, KZ, MD, RU, TJ, TM), European patent (AT, BE, CH, CY, DE, DK, ES, FI, FR, GB, GR, IE, IT, LU, MC, NL, PT, SE, TR), OAPI patent (BF, BJ, CF, CG, CI, CM, GA, GN, GW, ML, MR, NE, SN, TD, TG).

(71) Applicant (*for all designated States except US*): **MAGIC4 LIMITED** [GB/GB]; Chadwick Road, Birchwood Park, Warrington, Cheshire WA3 6AE (GB).

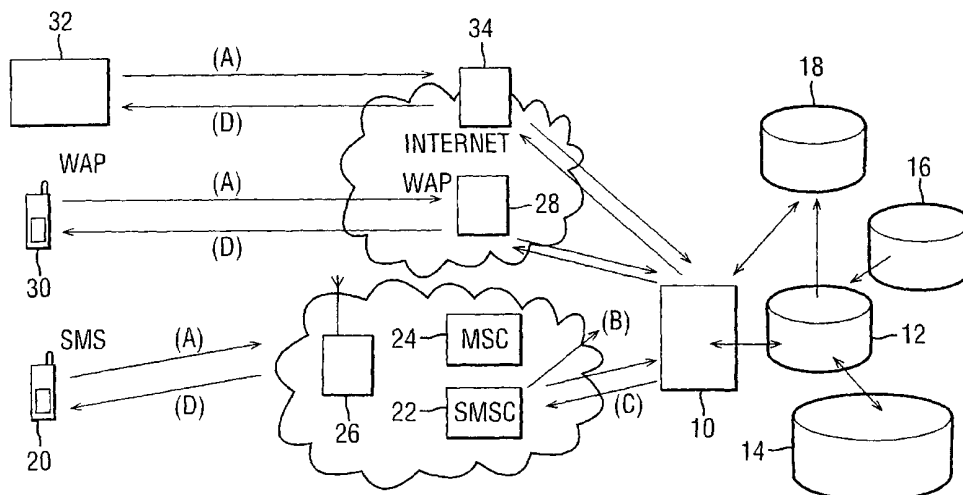
Published:
— with international search report

(72) Inventor; and
(75) Inventor/Applicant (*for US only*): **JONES, BARRY** [GB/GB]; 33 Henmark Close, Callands, Warrington, Cheshire WA5 5TG (GB).

(88) Date of publication of the international search report:
27 December 2001

[Continued on next page]

(54) Title: METHOD OF, AND MEANS FOR CHARGING OF DELIVERING MOBILE OR WIRELESS INFORMATION SERVICES



(57) Abstract: A method of charging of information services in which a subscriber station (20, 30, 32) contacts an internet server (10) using a non-premium rate link in order to request connection to an information service provider. The internet server (10) effects a connection between the subscriber station (20, 30, 32) and the information service provider using a premium rate link which is maintained until the link is broken. The user of the premium rate link is billed by a network provider who remits the payment to the information service provider. Also, a method of delivering subscription service information from an information content provider (14) to a subscriber (20, 30, 32), involves a subscriber forwarding an information request to a server (10), the server contacting the information content provider (14) having a data base holding the information being requested giving contact details of the subscriber, and the information content provider communicating directly with the subscriber to supply information request by the subscriber.



WO 01/72001 A3



For two-letter codes and other abbreviations, refer to the "Guidance Notes on Codes and Abbreviations" appearing at the beginning of each regular issue of the PCT Gazette.

INTERNATIONAL SEARCH REPORT

International Application No
PCT/GB 01/01235

A. CLASSIFICATION OF SUBJECT MATTER
 IPC 7 H04Q7/22 H04L12/28 H04L12/56 H04M15/00 H04L29/06

According to International Patent Classification (IPC) or to both national classification and IPC

B. FIELDS SEARCHED

Minimum documentation searched (classification system followed by classification symbols)
 IPC 7 H04Q H04L H04M

Documentation searched other than minimum documentation to the extent that such documents are included in the fields searched

Electronic data base consulted during the international search (name of data base and, where practical, search terms used)

EPO-Internal, WPI Data, COMPENDEX, INSPEC

C. DOCUMENTS CONSIDERED TO BE RELEVANT

Category *	Citation of document, with indication, where appropriate, of the relevant passages	Relevant to claim No.
------------	--	-----------------------

X	WO 98 34422 A (NOKIA MOBILE PHONES LTD ;HUBER ROLF (FI); WELLS MARK (US)) 6 August 1998 (1998-08-06) page 3, line 4 -page 6, line 7 figures 2-4 page 8, line 21 -page 12, line 30 page 14, line 23 -page 32, line 20 ---	1-13, 15-18
X	WO 97 32439 A (DECKER PETER ;KAARTINEN KALEVI (DE); GUSTAFSSON PATRIK (FI); NOKIA) 4 September 1997 (1997-09-04) page 3, line 17 -page 4, line 27 page 8, line 16 -page 10, line 13 page 15, line 13 -page 28, line 26 figures 2-8 -----	1-13, 15-18

Further documents are listed in the continuation of box C.

Patent family members are listed in annex.

* Special categories of cited documents :

"A" document defining the general state of the art which is not considered to be of particular relevance
 "E" earlier document but published on or after the international filing date
 "L" document which may throw doubts on priority claim(s) or which is cited to establish the publication date of another citation or other special reason (as specified)
 "O" document referring to an oral disclosure, use, exhibition or other means
 "P" document published prior to the international filing date but later than the priority date claimed

"T" later document published after the international filing date or priority date and not in conflict with the application but cited to understand the principle or theory underlying the invention
 "X" document of particular relevance: the claimed invention cannot be considered novel or cannot be considered to involve an inventive step when the document is taken alone
 "Y" document of particular relevance: the claimed invention cannot be considered to involve an inventive step when the document is combined with one or more other such documents, such combination being obvious to a person skilled in the art.
 "Z" document member of the same patent family

Date of the actual completion of the international search

Date of mailing of the international search report

29 June 2001

04.09.01

Name and mailing address of the ISA

European Patent Office, P.B. 5813 Patentlaan 2
 NL - 2230 HV Rijswijk
 Tel. (+31-70) 340-2040, Tx. 31 551 epo.nl
 Fax: (+31-70) 340-3016

Authorized officer

Körbler, G

INTERNATIONAL SEARCH REPORT

International application No.
PCT/GB 01/01235

Box I Observations where certain claims were found unsearchable (Continuation of item 1 of first sheet)

This International Search Report has not been established in respect of certain claims under Article 17(2)(a) for the following reasons:

1. Claims Nos.:
because they relate to subject matter not required to be searched by this Authority, namely:

2. Claims Nos.:
because they relate to parts of the International Application that do not comply with the prescribed requirements to such an extent that no meaningful international Search can be carried out, specifically:

3. Claims Nos.:
because they are dependent claims and are not drafted in accordance with the second and third sentences of Rule 6.4(a).

Box II Observations where unity of invention is lacking (Continuation of item 2 of first sheet)

This International Searching Authority found multiple inventions in this international application, as follows:

see additional sheet

1. As all required additional search fees were timely paid by the applicant, this International Search Report covers all searchable claims.
2. As all searchable claims could be searched without effort justifying an additional fee, this Authority did not invite payment of any additional fee.
3. As only some of the required additional search fees were timely paid by the applicant, this International Search Report covers only those claims for which fees were paid, specifically claims Nos.:
4. No required additional search fees were timely paid by the applicant. Consequently, this International Search Report is restricted to the invention first mentioned in the claims: it is covered by claims Nos.:

1-13,15-18

Remark on Protest

- The additional search fees were accompanied by the applicant's protest.

 No protest accompanied the payment of additional search fees.

FURTHER INFORMATION CONTINUED FROM PCT/ISA/ 210

This International Searching Authority found multiple (groups of) inventions in this international application, as follows:

1. Claims: 1-13,15-18

Method and system of delivering subscription service information from an information content provider to a user via a server.

2. Claim : 14

Method of charging a user for use of an information service from an information content provider via a server.

INTERNATIONAL SEARCH REPORT

Information on patent family members

International Application No

PCT/GB 01/01235

Patent document cited in search report	Publication date	Patent family member(s)	Publication date
WO 9834422 A	06-08-1998	US 6125281 A	26-09-2000
		AU 6214998 A	25-08-1998
		EP 0956719 A	17-11-1999
		US 6078820 A	20-06-2000

WO 9732439 A	04-09-1997	FI 960895 A	27-08-1997
		AU 723988 B	07-09-2000
		AU 1881497 A	16-09-1997
		AU 4733599 A	11-11-1999
		BR 9707868 A	27-07-1999
		CA 2247449 A	04-09-1997
		CN 1212109 A	24-03-1999
		EP 0882375 A	09-12-1998
		JP 2000505621 T	09-05-2000
		US 6188909 B	13-02-2001
