



US00D748174S

(12) **United States Design Patent**
Hassan et al.

(10) **Patent No.:** **US D748,174 S**

(45) **Date of Patent:** **** Jan. 26, 2016**

- (54) **HEAVY DUTY CONTACT TIP**
- (71) Applicant: **Victor Equipment Company**, Denton, TX (US)
- (72) Inventors: **Khalid Hassan**, Denton, TX (US);
David Wilton, Chesterfield, MO (US)
- (73) Assignee: **Victor Equipment Company**, Denton, TX (US)
- (**) Term: **14 Years**
- (21) Appl. No.: **29/508,005**
- (22) Filed: **Nov. 1, 2014**
- (51) **LOC (10) Cl.** **15-09**
- (52) **U.S. Cl.**
USPC **D15/144**
- (58) **Field of Classification Search**
USPC D15/144, 144.1, 144.2; 219/70, 137.44,
219/137.52; D8/29.1, 30
See application file for complete search history.

(56) **References Cited**

U.S. PATENT DOCUMENTS

D231,834 S *	6/1974	Gulrich	D15/144
D269,519 S *	6/1983	Braun	D15/138
D371,058 S *	6/1996	Walters	219/119
D414,788 S *	10/1999	Shintani	D15/144
D420,374 S *	2/2000	Zigliotto	D15/144
D446,795 S *	8/2001	Shintani	D15/144
D451,113 S *	11/2001	Shintani	D15/144
D499,124 S *	11/2004	Kuraoka	D15/144
D517,576 S *	3/2006	Conway	D15/144

D517,577 S *	3/2006	Conway	D15/144
D527,401 S *	8/2006	Mizuno	D15/144
D535,672 S *	1/2007	MacKenzie	D15/144
D536,009 S *	1/2007	MacKenzie	D15/144
D653,270 S *	1/2012	Furujo	D15/144
D654,939 S *	2/2012	Furujo	D15/144
D654,940 S *	2/2012	Furujo	D15/144
D669,509 S *	10/2012	Krink	D15/144.1
D697,956 S *	1/2014	Davis	D15/144
D714,372 S *	9/2014	Savill, Jr.	D15/144
D719,200 S *	12/2014	Hassan	D15/144
D720,784 S *	1/2015	Hassan	D15/144
D721,111 S *	1/2015	Hassan	D15/144
D726,794 S *	4/2015	Kang	D15/144
D728,647 S *	5/2015	Savill, Jr.	D15/144
D728,649 S *	5/2015	Hassan	D15/144
D733,776 S *	7/2015	Buttiker	D15/144
D735,787 S *	8/2015	Hassan	D15/144
D736,285 S *	8/2015	Hassan	D15/144

* cited by examiner

Primary Examiner — Patricia Palasik

(74) *Attorney, Agent, or Firm* — Kacvinsky Daisak Bluni PLLC

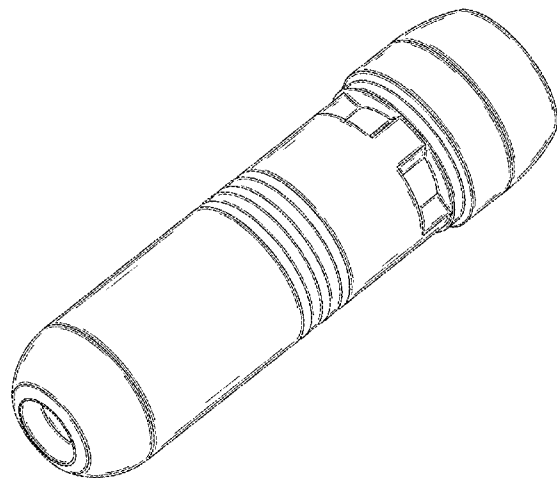
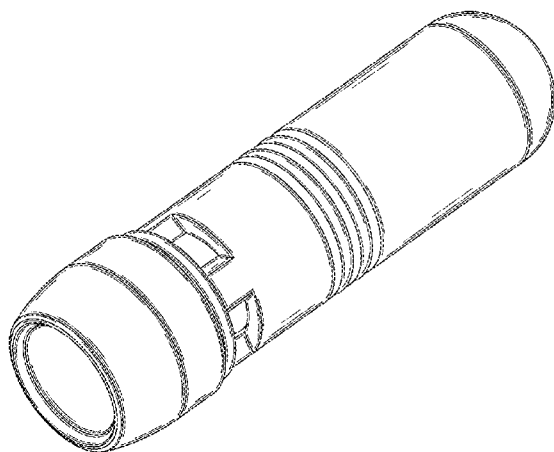
(57) **CLAIM**

The ornamental design for a heavy duty contact tip, as shown and described.

DESCRIPTION

FIG. 1 is a perspective view of the heavy duty contact tip; FIG. 2 is another perspective view; FIG. 3 is a side view; FIG. 4 is a front view; and, FIG. 5 is a rear view.

1 Claim, 5 Drawing Sheets



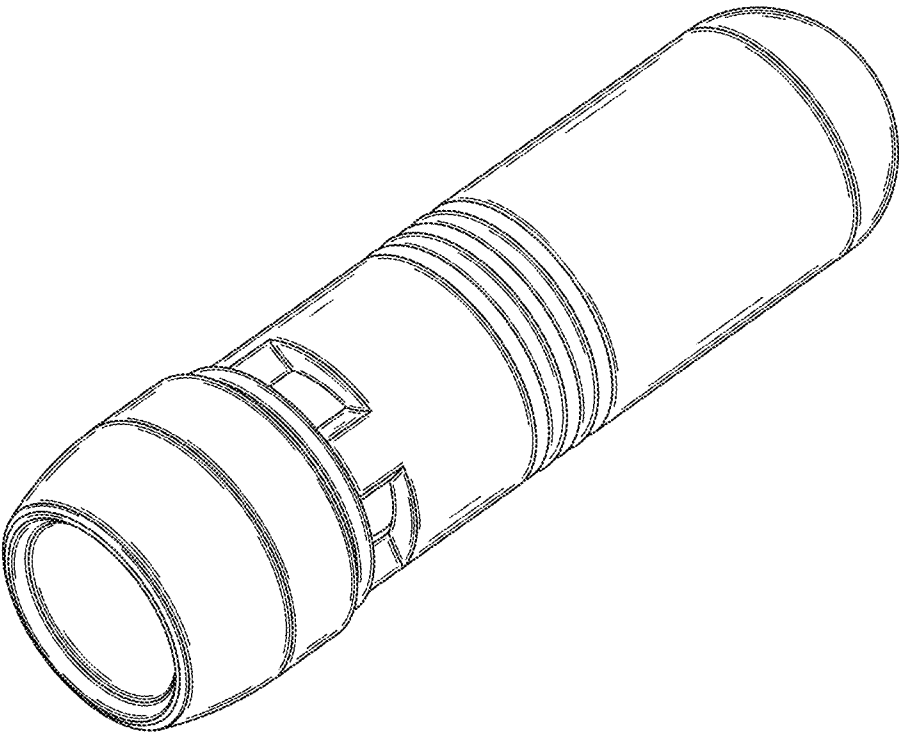


FIG. 1

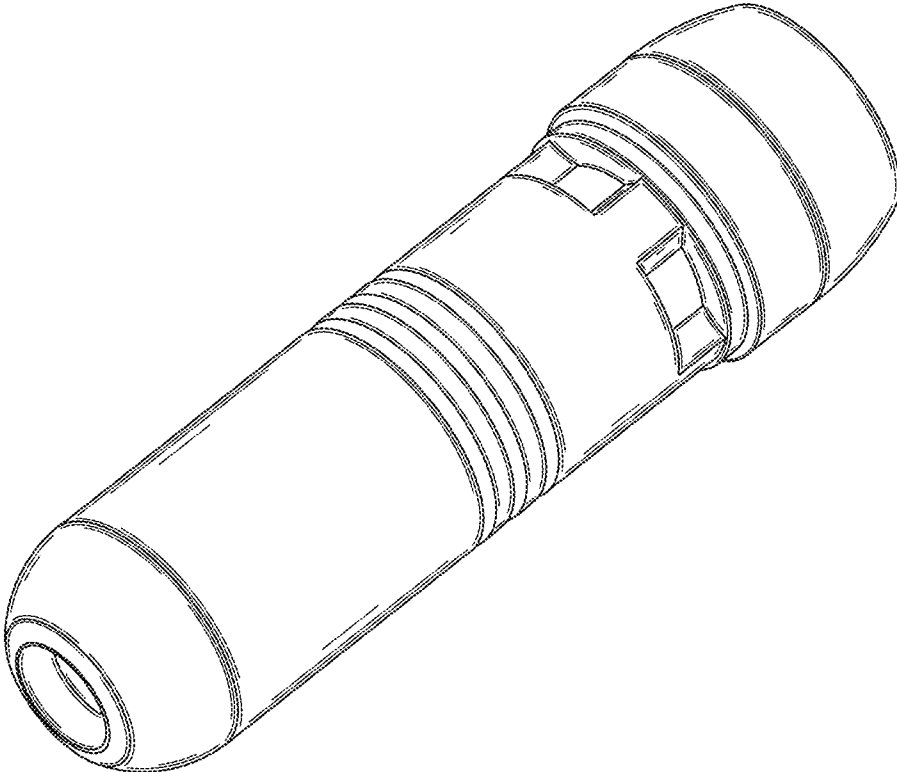


FIG. 2

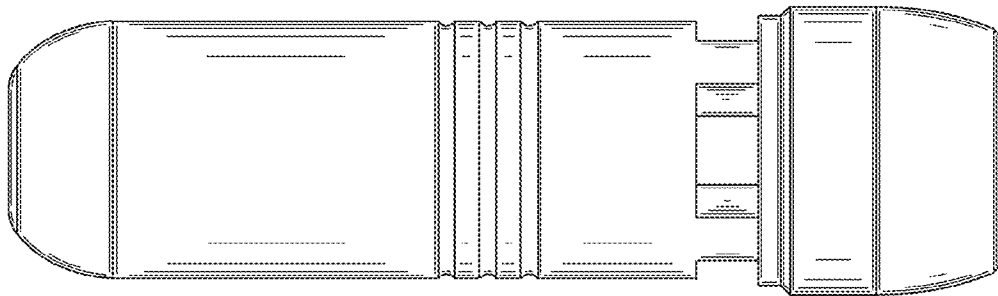


FIG. 3

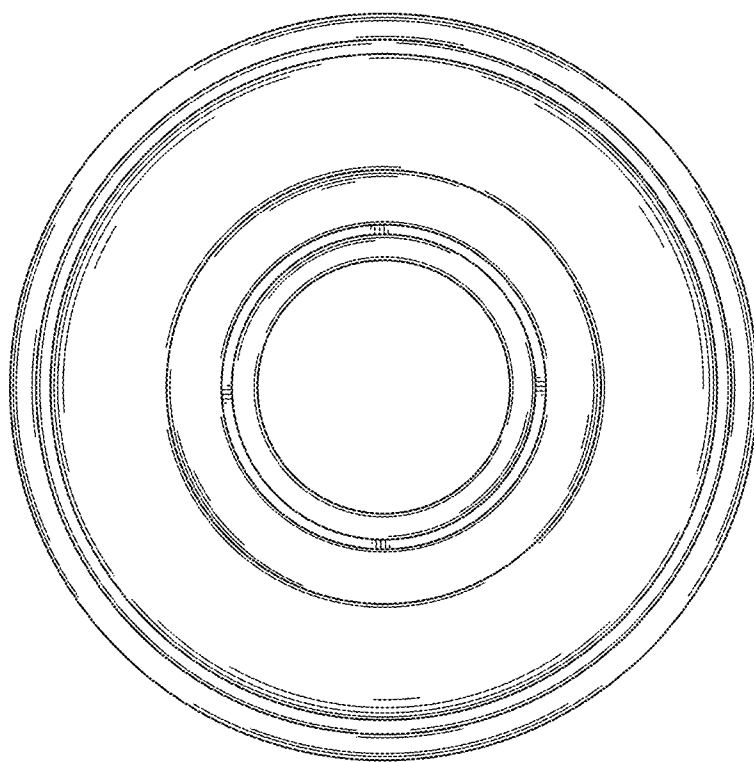


FIG. 4

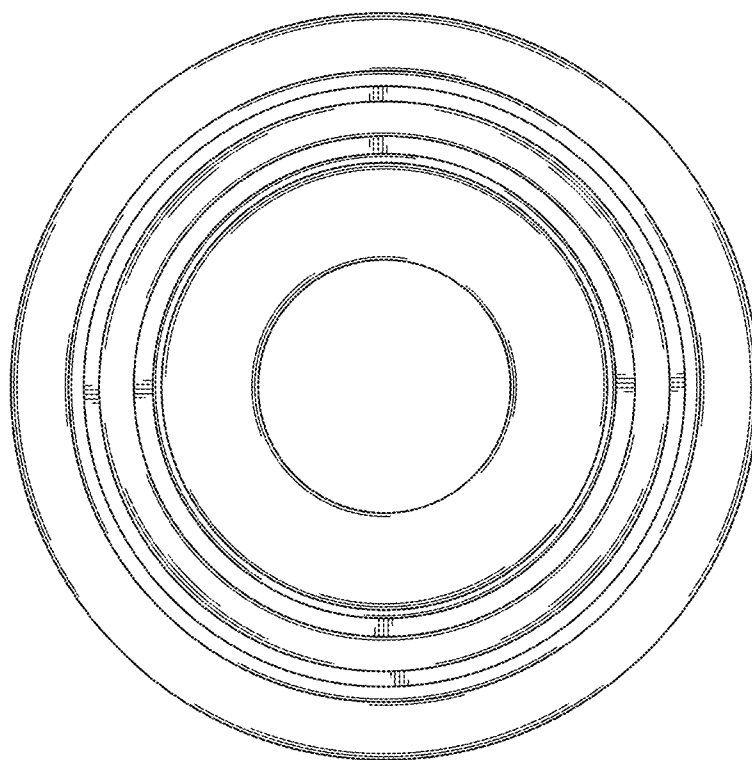


FIG. 5