



US00D419288S

United States Patent [19]
Hartfield

[11] **Patent Number: Des. 419,288**
[45] **Date of Patent: ** Jan. 25, 2000**

[54] **KNEE CRUTCH**

5,746,236 5/1998 Tilsley et al. 135/66

[76] Inventor: **Sheila Hartfield**, 7945 S. Caldwell Ave., Whittier, Calif. 90602

Primary Examiner—Louis S. Zarfaz
Assistant Examiner—Catherine R. Oliver

[**] Term: **14 Years**

[57] **CLAIM**

The ornamental design for a knee crutch, as shown.

[21] Appl. No.: **29/094,730**

DESCRIPTION

[22] Filed: **Oct. 8, 1998**

[51] **LOC (7) Cl.** **03-03**

[52] **U.S. Cl.** **D3/7**

[58] **Field of Search** D3/5, 7, 8, 9, D3/10, 17; 135/65, 66, 67, 68, 69, 72, 84

FIG. 1 is a front elevational view of the knee crutch of the present invention;

FIG. 2 is a rear elevational view of the knee crutch of FIG. 1;

FIG. 3 is a left side elevational view of the knee crutch of FIG. 1;

FIG. 4 is a right side elevational view of the knee crutch of FIG. 1;

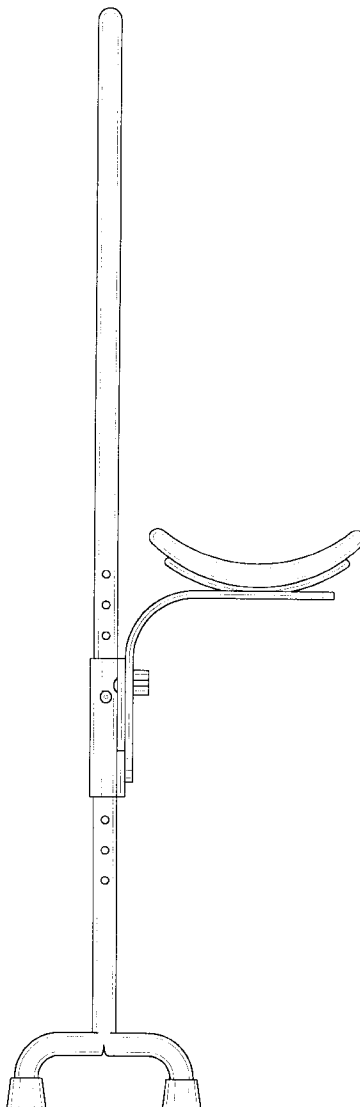
FIG. 5 is a top plan view of the knee crutch of FIG. 1; and, FIG. 6 is a bottom plan view of the knee crutch of FIG. 1.

[56] **References Cited**

U.S. PATENT DOCUMENTS

D. 291,148	8/1987	Rizzo	D3/7
4,141,375	2/1979	Tykwinski	135/66
4,291,715	9/1981	Monte	135/68
4,924,894	5/1990	Martinez	135/65

1 Claim, 3 Drawing Sheets



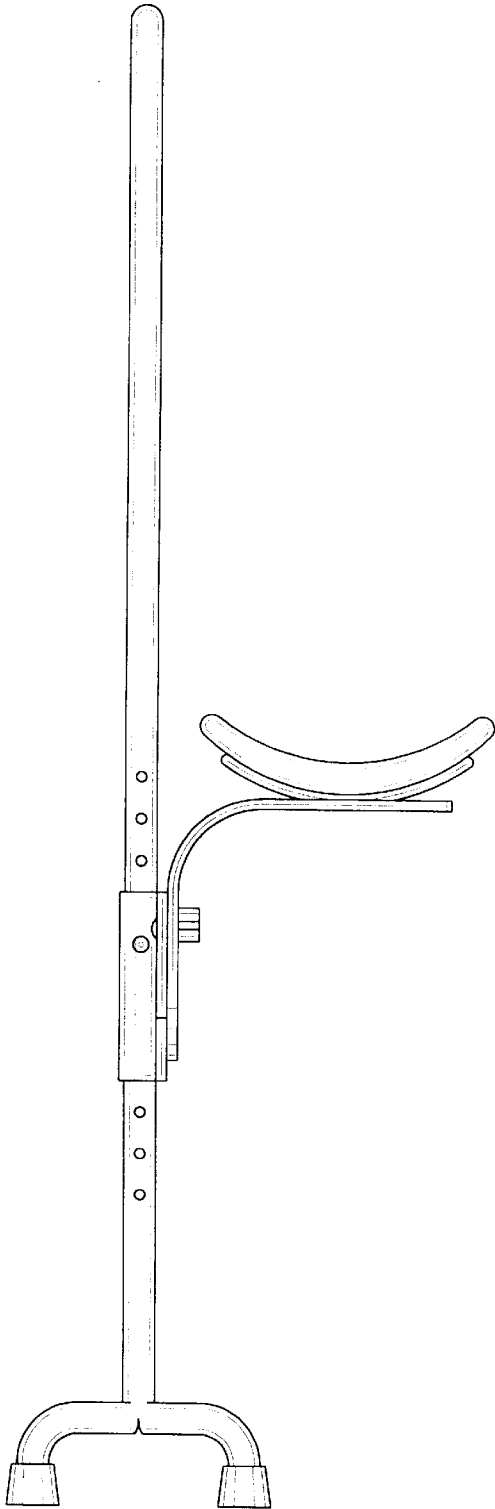


Fig. 1

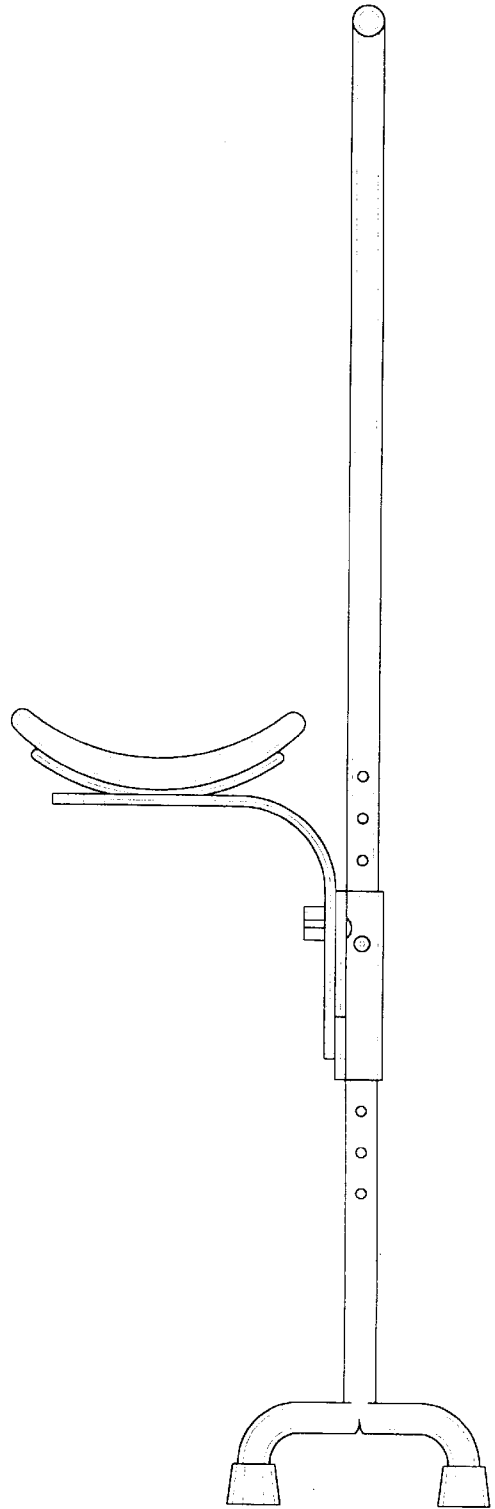


Fig. 2

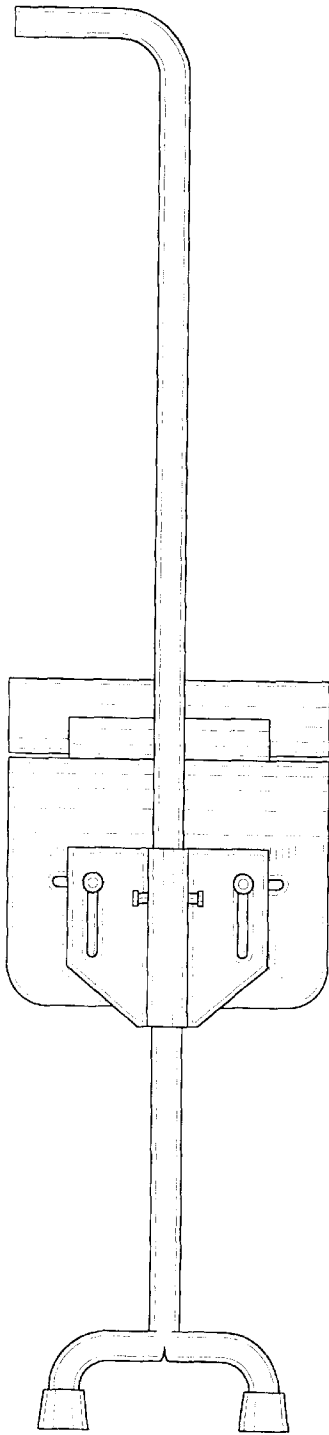


Fig. 3

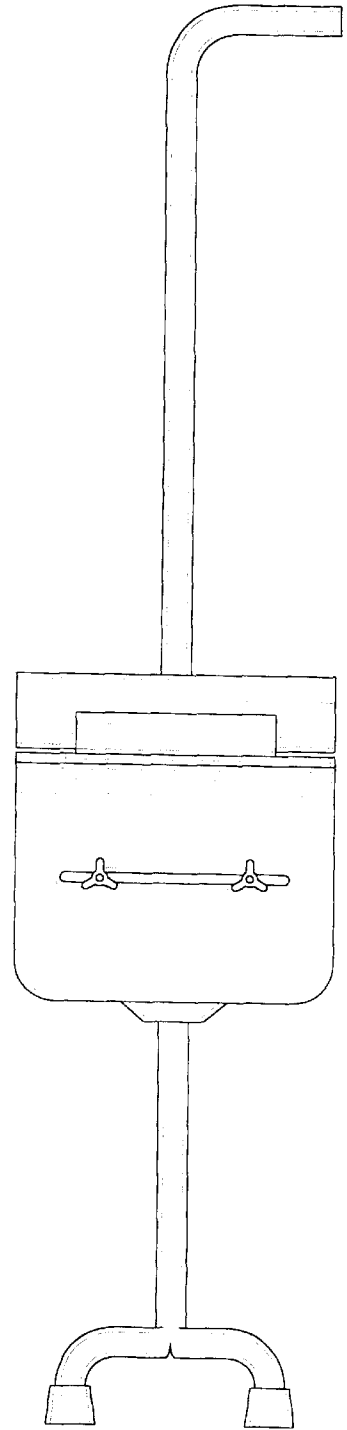


Fig. 4

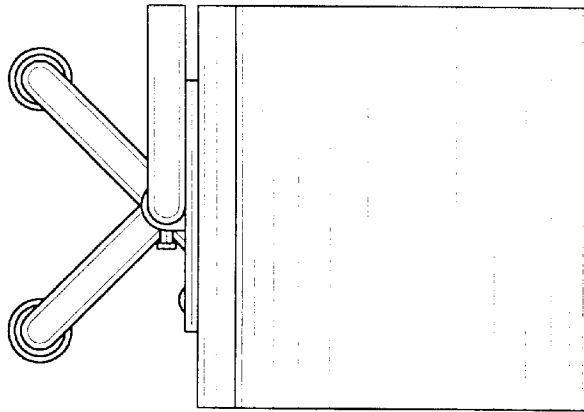


Fig. 5

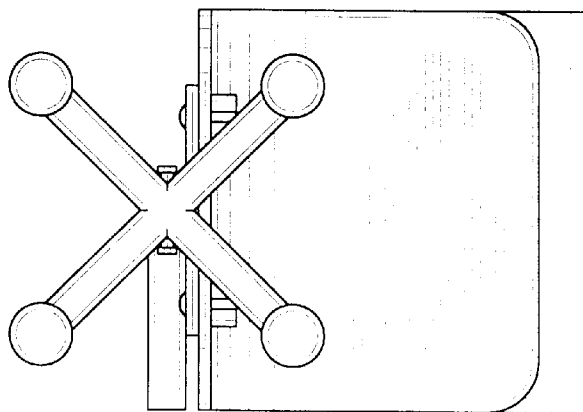


Fig. 6