



US00D652374S

(12) **United States Design Patent**
Mercer

(10) **Patent No.:** **US D652,374 S**

(45) **Date of Patent:** **** Jan. 17, 2012**

(54) **FLOAT MOUNTED SOLAR CHLORINE GENERATOR**

(76) Inventor: **Richard D Mercer**, Spring, TX (US)

(**) Term: **14 Years**

(21) Appl. No.: **29/392,613**

(22) Filed: **May 24, 2011**

(51) **LOC (9) Cl.** **13-02**

(52) **U.S. Cl.** **D13/102**

(58) **Field of Classification Search** D13/102,
D13/101, 118, 184, 199; D23/207, 208;
136/200, 206, 244-251, 256; 204/229.8,
204/267, 271, 272, 273; 244/172.7, 172.8

See application file for complete search history.

(56) **References Cited**

U.S. PATENT DOCUMENTS

4,097,356 A	6/1978	Yates	
4,217,331 A	8/1980	Schaub	
4,248,715 A	2/1981	Olivier	
4,250,126 A	2/1981	Yates	
4,256,552 A	3/1981	Sweeney	
D261,415 S	10/1981	Yates	
4,321,416 A *	3/1982	Tennant	136/244
4,337,136 A	6/1982	Dahlgren	
4,630,634 A	12/1986	Sasaki	
4,724,059 A	2/1988	Collier	
5,037,519 A	8/1991	Wiscombe	
5,053,205 A	10/1991	Taylor	
5,055,183 A	10/1991	Buchan	
5,059,296 A	10/1991	Sherman	
5,085,753 A	2/1992	Sherman	

5,362,368 A	11/1994	Lynn	
5,795,459 A	8/1998	Sweeney	
D451,979 S	12/2001	VanErdewyk	
6,508,929 B1	1/2003	Mercer	
6,730,509 B2	5/2004	VanErdewyk	
D534,488 S *	1/2007	Rosene et al.	D13/102
D541,138 S	4/2007	Whalen	
D559,943 S	1/2008	Mercer	
7,388,146 B2 *	6/2008	Fraas et al.	136/246
D600,200 S *	9/2009	Dimov et al.	D13/102

* cited by examiner

Primary Examiner — Derrick Holland

(74) *Attorney, Agent, or Firm* — Kenneth L Nash

(57) **CLAIM**

The ornamental design for a float mounted solar chlorine generator, as shown and described.

DESCRIPTION

FIG. 1 is a perspective view of a float mounted solar chlorine generator showing my new design.

FIG. 2 is a front elevational view thereof.

FIG. 3 is a rear elevational view thereof.

FIG. 4 is a left side elevational view thereof.

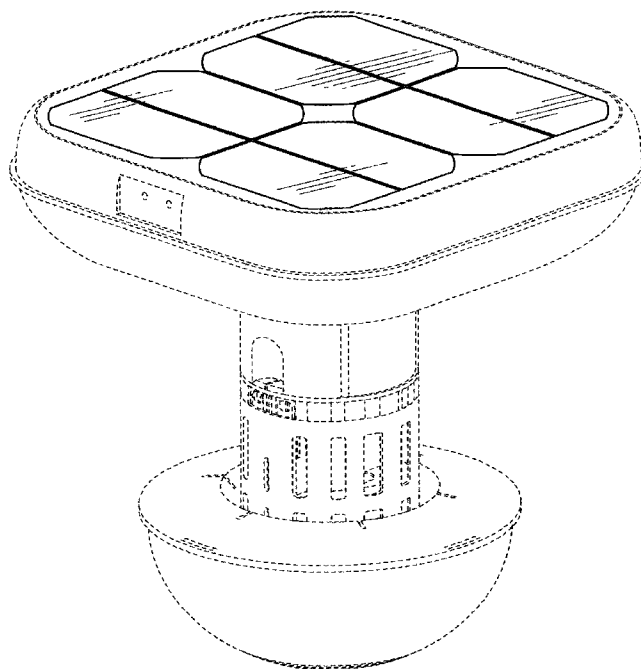
FIG. 5 is a right side elevational view thereof.

FIG. 6 is a top plan view thereof; and,

FIG. 7 is a bottom plan view thereof.

The broken lines shown represent unclaimed subject matter only and form no part of the claim. Where broken lines abut a claimed surface it is understood that those broken lines represent an unclaimed boundary between claimed and unclaimed surfaces. None of the broken lines form any part of the claimed design.

1 Claim, 4 Drawing Sheets



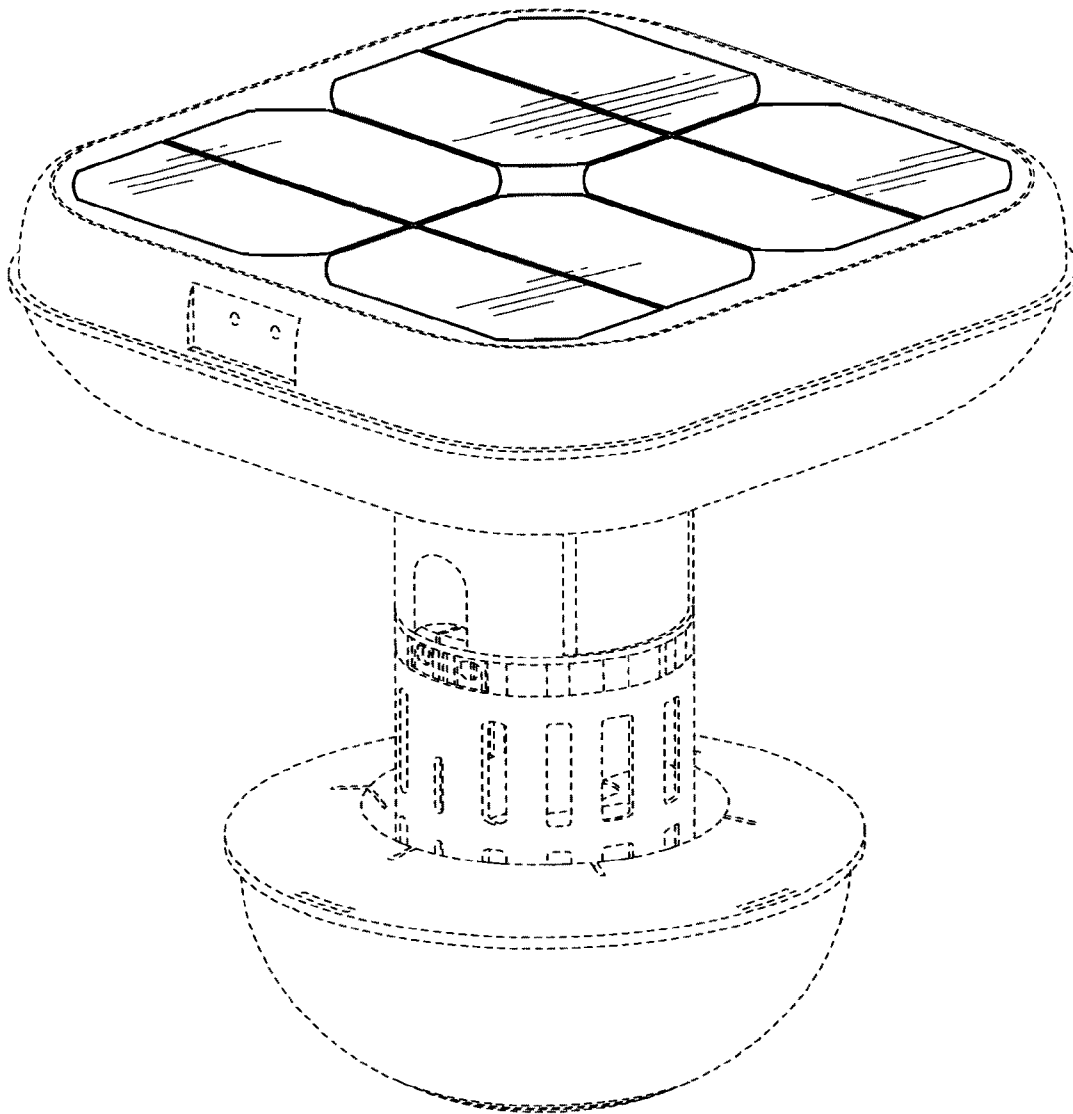


FIG. 1

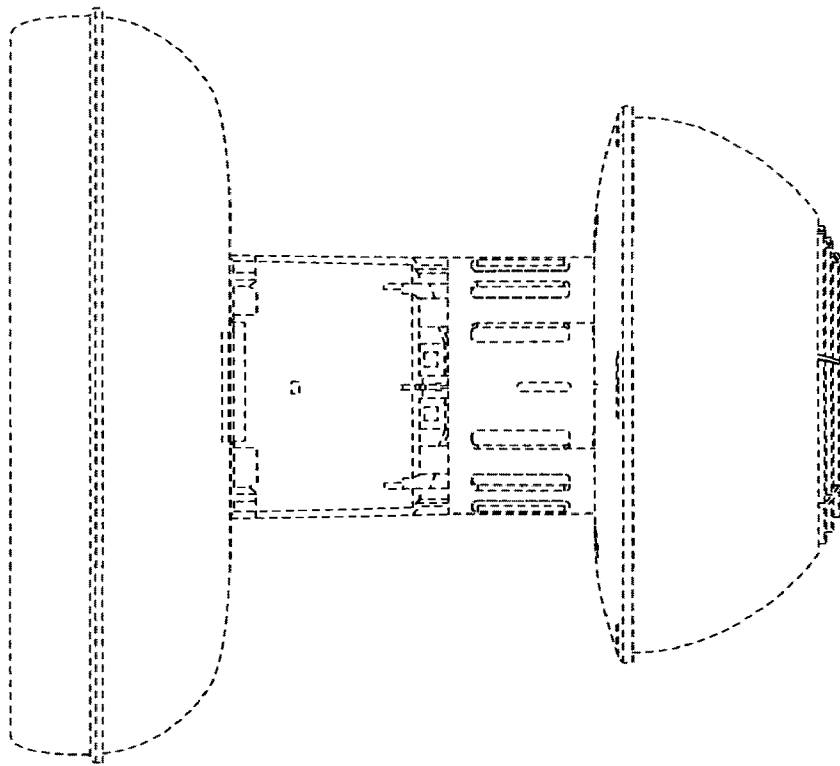


FIG. 3

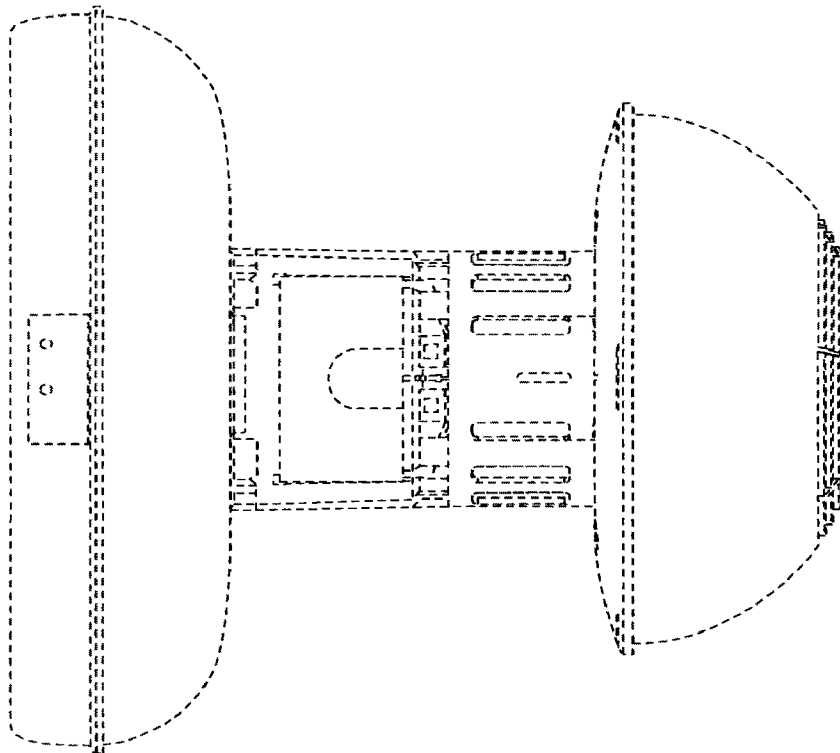


FIG. 2

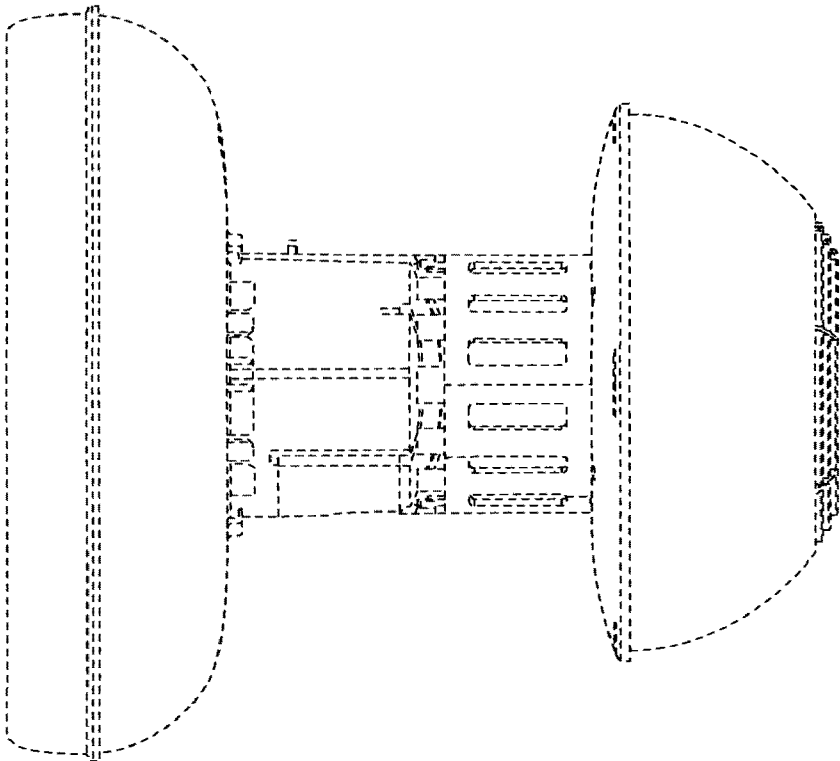


FIG. 5

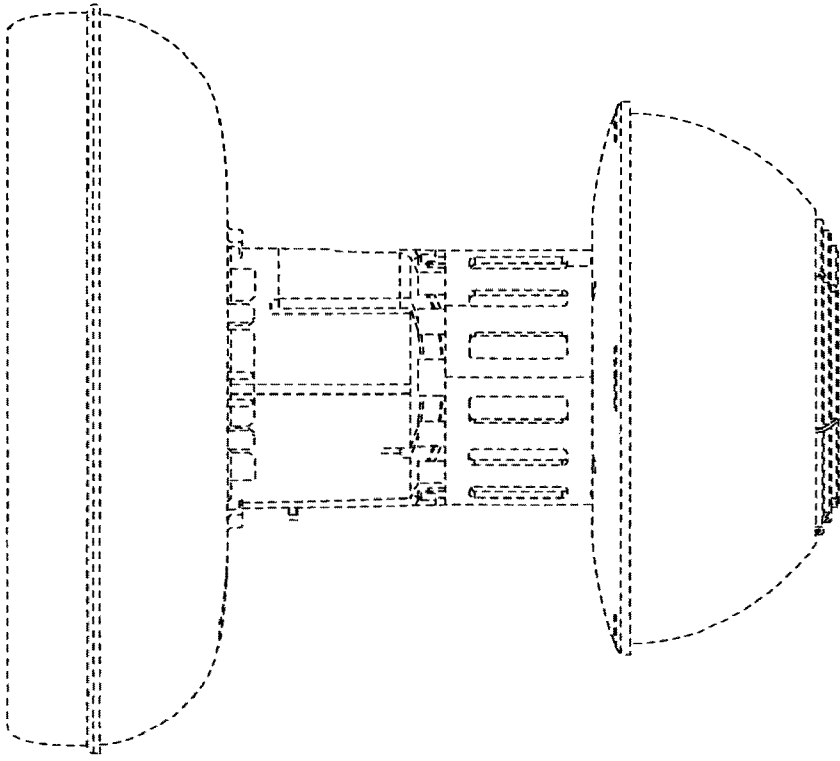


FIG. 4

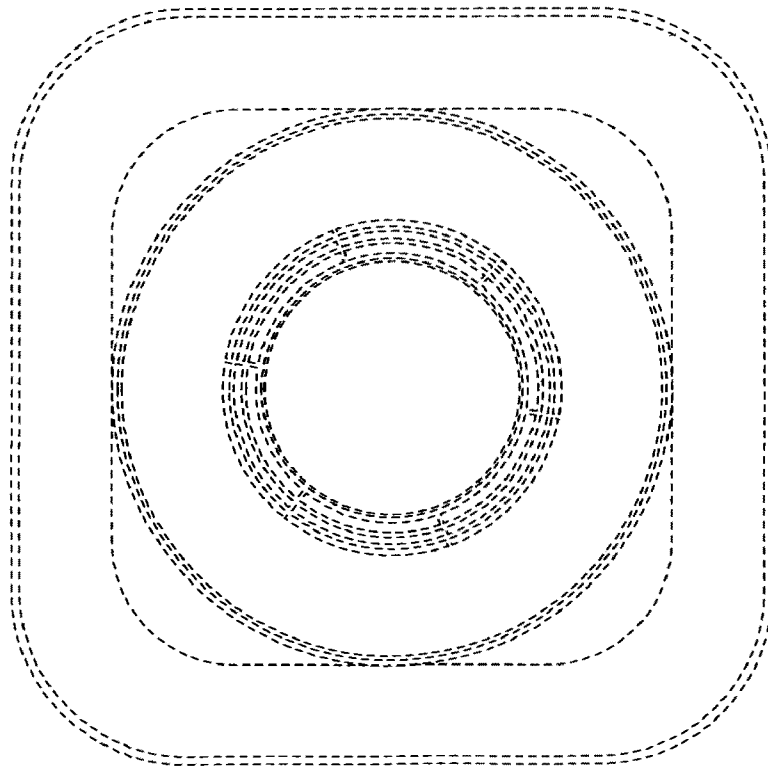


FIG. 7

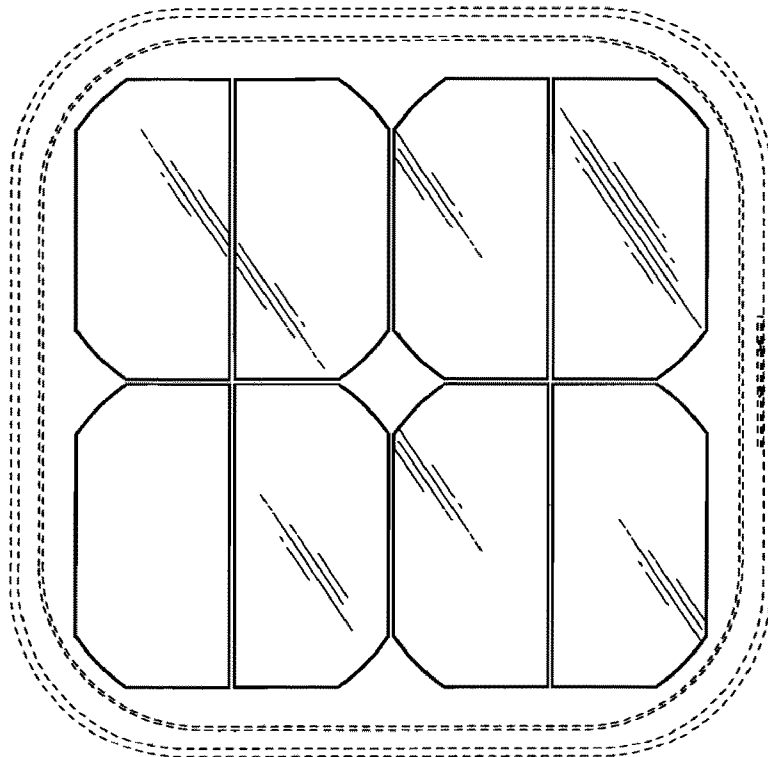


FIG. 6