



US00D757369S

(12) **United States Design Patent**
Marsden

(10) **Patent No.:** **US D757,369 S**

(45) **Date of Patent:** **** May 24, 2016**

(54) **STRUCTURE FOR ATTRACTING AND ACCUMULATING AQUATIC ORGANISMS**

2003/0000480 A1* 1/2003 Jenkins A01K 61/006
119/221

2009/0283051 A1 11/2009 Metzler
2014/0158061 A1* 6/2014 Beasley A01K 97/02
119/221

(71) Applicant: **Matthew E. Marsden**, Signal Mountain, TN (US)

(72) Inventor: **Matthew E. Marsden**, Signal Mountain, TN (US)

(**) Term: **14 Years**

(21) Appl. No.: **29/502,299**

(22) Filed: **Sep. 14, 2014**

(51) **LOC (10) Cl.** **30-02**

(52) **U.S. Cl.**
USPC **D30/106**

(58) **Field of Classification Search**

USPC D30/199; D22/199; 119/207–208, 219,
119/221, 256, 269; 405/23, 27, 33;
446/105–106, 117, 124–125

CPC ... A01K 61/006; A01K 61/00; A01K 61/025;
A01K 63/006; E02B 3/046

See application file for complete search history.

FOREIGN PATENT DOCUMENTS

CN	201839702	5/2011
EM	000030226-002	5/2003
EM	000030226-003	5/2003
JP	2008161096	7/2008
KR	3020050007088	1/2006
KR	20080005137	11/2008
KR	20110101757	9/2011
KR	101167489	7/2012
NZ	22690	5/1989
WO	0049859	8/2000
WO	DM068102	8/2006

* cited by examiner

Primary Examiner — Wan Laymon

(74) *Attorney, Agent, or Firm* — Baker, Donelson, Bearman, Caldwell & Berkowitz, PC

(57) **CLAIM**

I claim the ornamental design for a structure for attracting and accumulating aquatic organisms, as shown and described.

DESCRIPTION

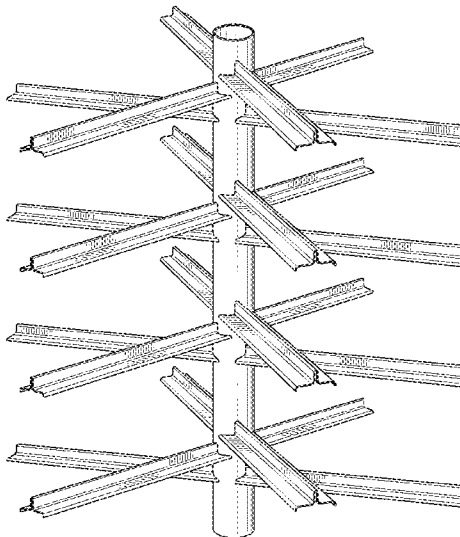
FIG. 1 is a perspective view of a structure for attracting and accumulating aquatic organisms showing my new design; FIG. 2 is a front elevation view thereof; FIG. 3 is a first side elevation view thereof; FIG. 4 is a rear elevation view thereof; FIG. 5 is a second side elevation view thereof; FIG. 6 is a top plan view thereof; and FIG. 7 is a bottom plan view thereof; and, FIG. 8 is a perspective view of an alternative embodiment of the device, showing a handle at one end and a bolt through the other end.

1 Claim, 5 Drawing Sheets

(56) **References Cited**

U.S. PATENT DOCUMENTS

3,517,912 A	6/1970	Foley	
4,441,453 A *	4/1984	McMickle A01K 61/006 119/221
6,523,497 B2 *	2/2003	Smith A01K 61/006 119/221
6,978,735 B1 *	12/2005	Yeager A01K 61/006 119/221
D607,081 S	12/2009	Harper et al.	
D607,082 S	12/2009	Harper et al.	
D625,471 S	10/2010	King	
8,640,651 B2 *	2/2014	Ewald A01K 61/006 119/221
D717,501 S *	11/2014	King D30/106



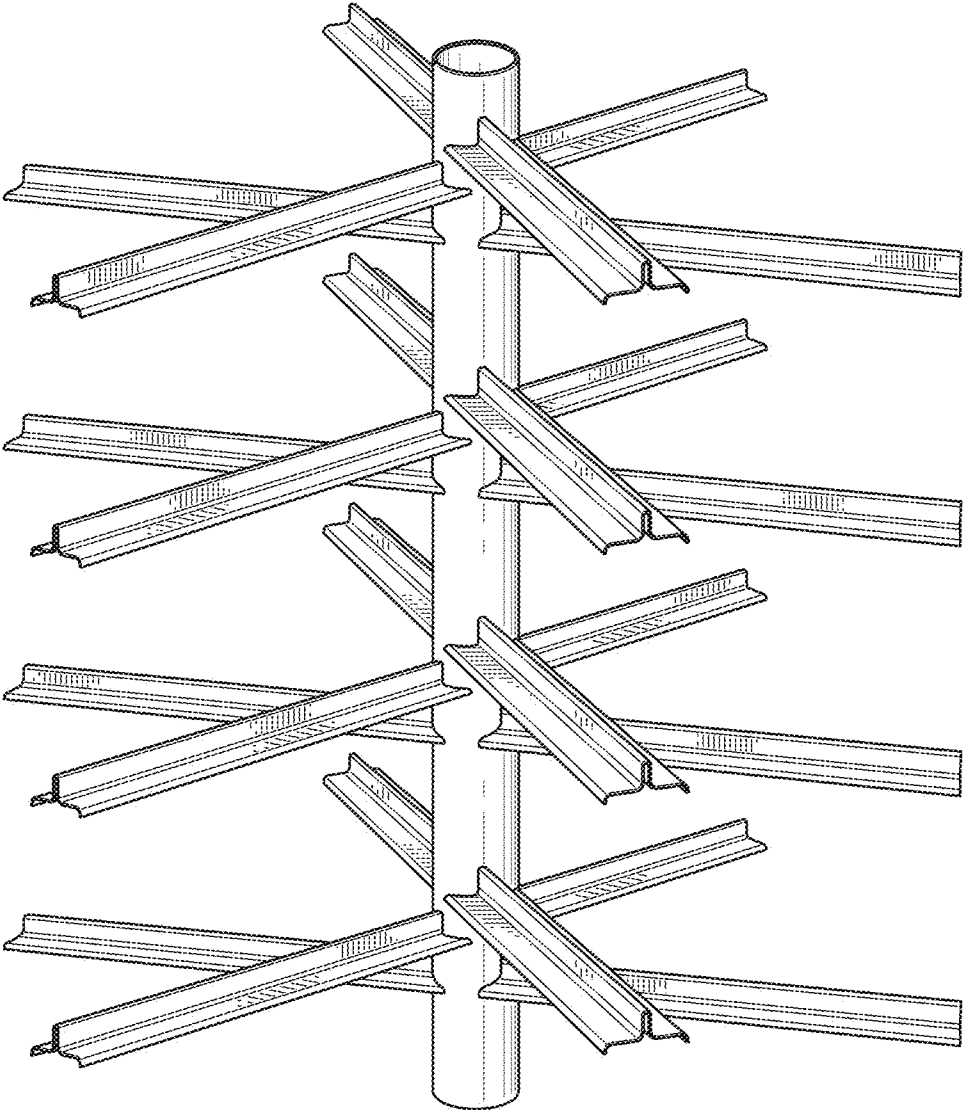


FIG. 1

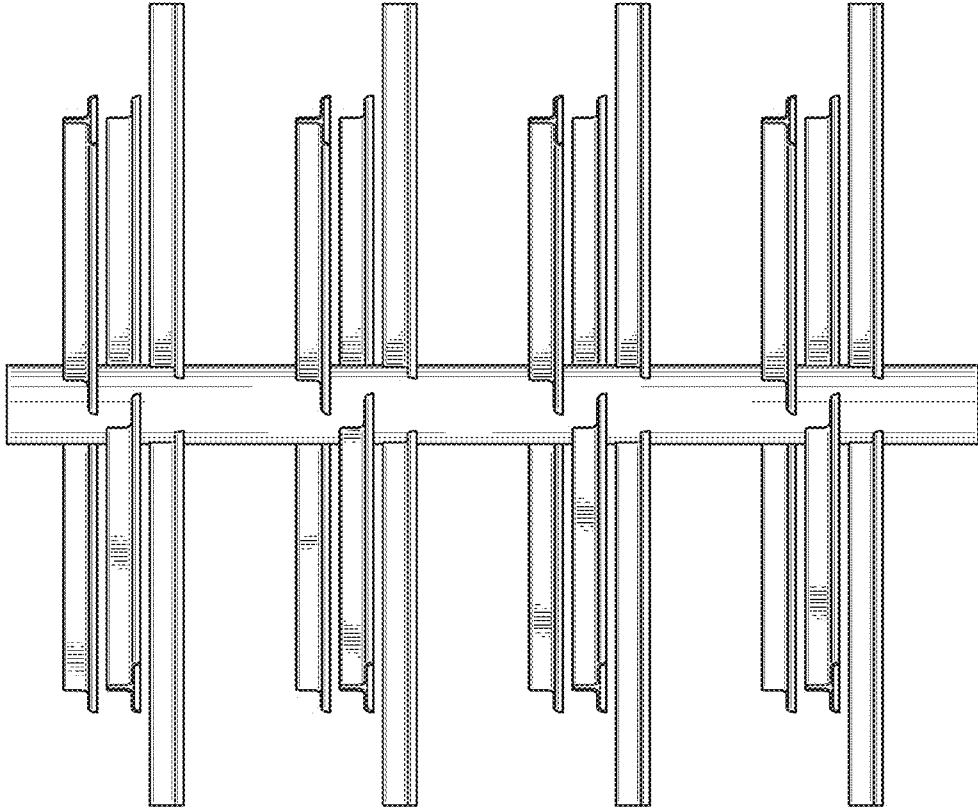


FIG. 3

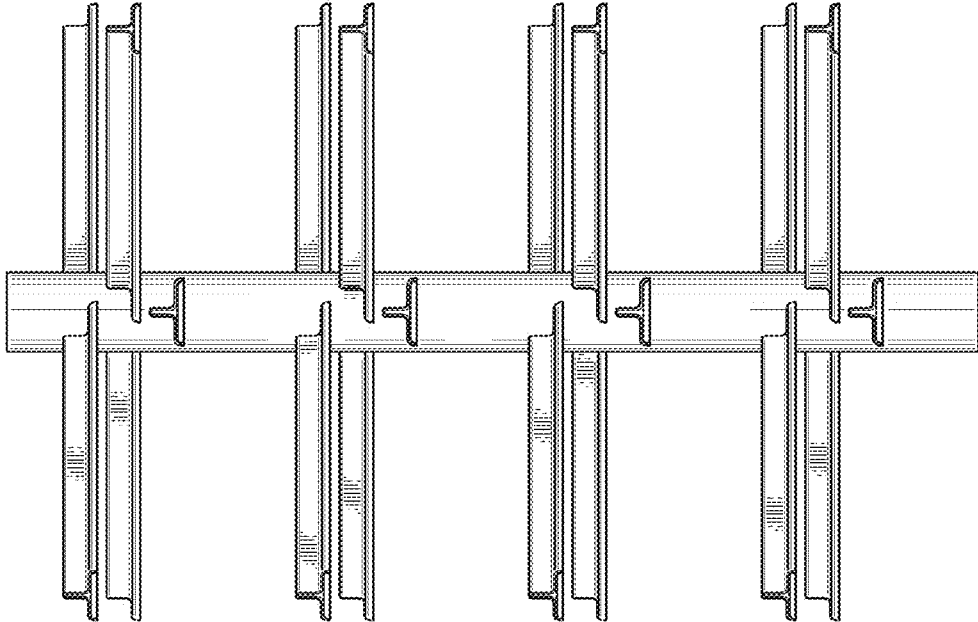


FIG. 2

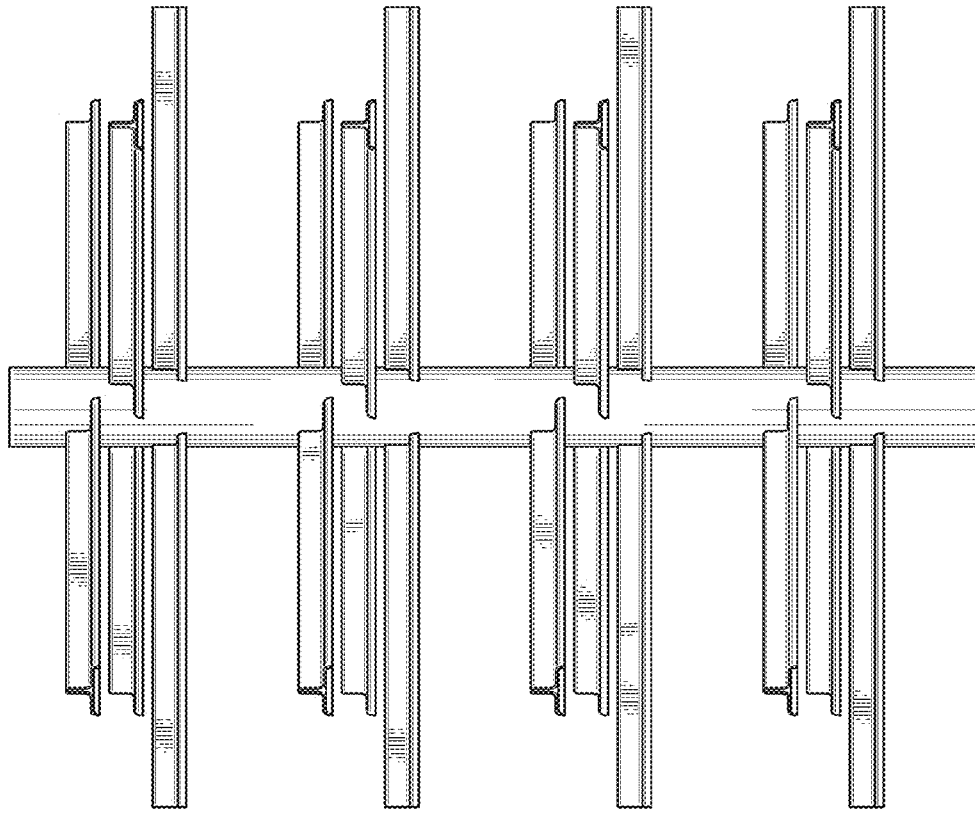


FIG. 5

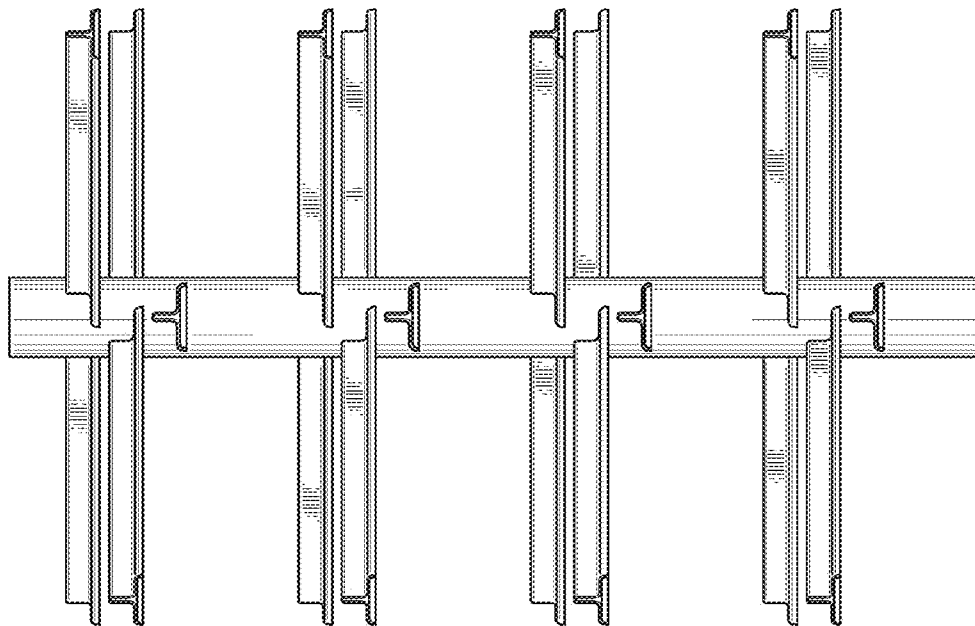


FIG. 4

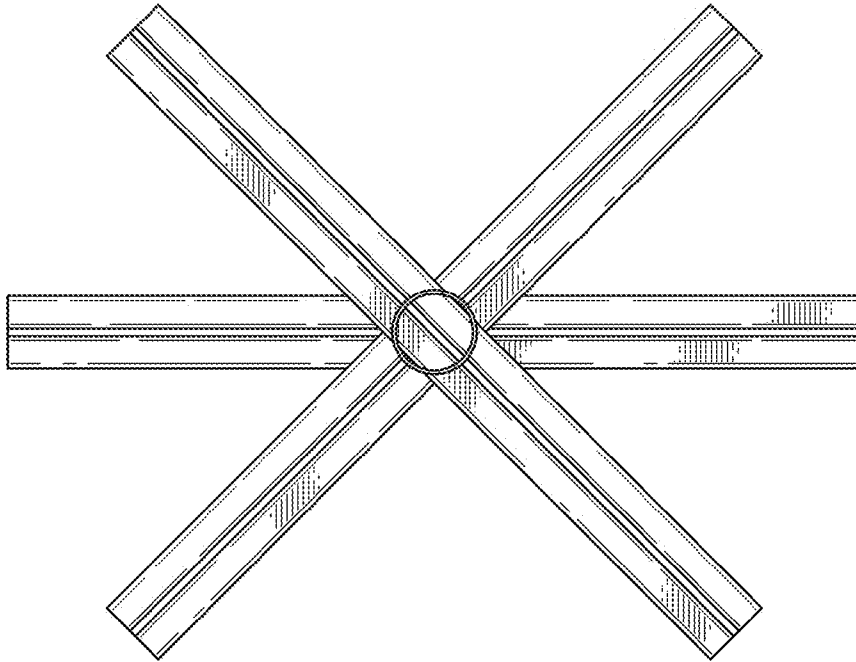


FIG. 6

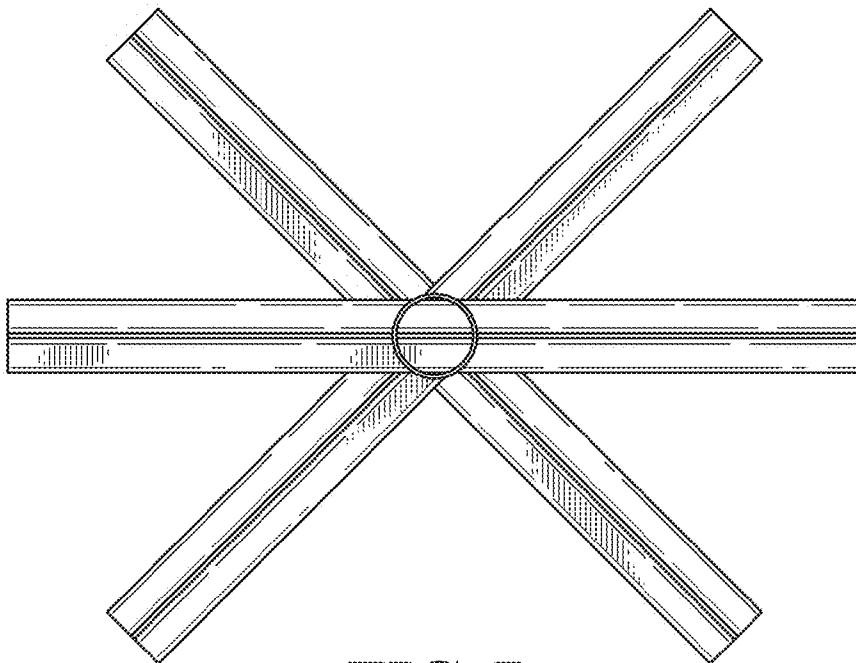


FIG. 7

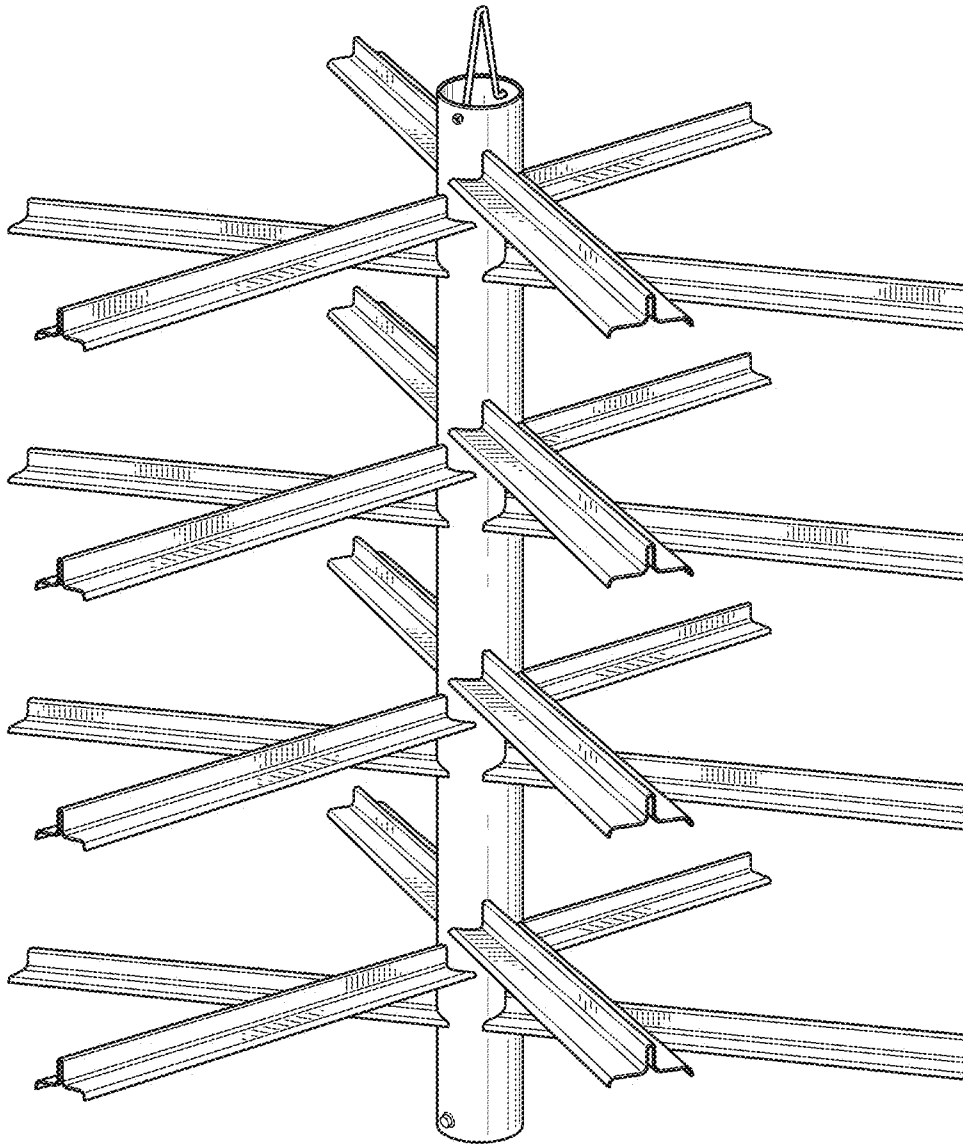


FIG. 8