



US00D769876S

(12) **United States Design Patent**
Aoyagi et al.

(10) **Patent No.:** **US D769,876 S**

(45) **Date of Patent:** **** Oct. 25, 2016**

(54) **COMPONENT FOR ELECTRONIC DEVICE**

(71) Applicant: **Apple Inc.**, Cupertino, CA (US)

(72) Inventors: **Shota Aoyagi**, San Francisco, CA (US);
Tyler B. Cater, San Jose, CA (US);
Sawyer Isaac Cohen, Sunnyvale, CA
(US); **Richard P. Howarth**, San
Francisco, CA (US)

(73) Assignee: **Apple Inc.**, Cupertino, CA (US)

(**) Term: **14 Years**

(21) Appl. No.: **29/501,050**

(22) Filed: **Aug. 29, 2014**

(51) **LOC (10) Cl.** **14-02**

(52) **U.S. Cl.**
USPC **D14/432**

(58) **Field of Classification Search**

USPC D14/300-302, 308-313, 314, 348,
D14/353-355, 432, 439-446, 240;
361/679.02, 679.31, 679.5, 690, 694,
361/679.23, 801, 802; 312/332.1, 334.1;
D13/162; D10/50

CPC A45C 11/00; A45C 2011/003; B60R
11/0241; B60R 11/0252; F16M 13/00;
F16M 11/00

See application file for complete search history.

(56) **References Cited**

U.S. PATENT DOCUMENTS

6,683,545 B2 * 1/2004 Strasser G01D 5/04
250/231.13
D488,804 S * 4/2004 Pitt D14/247

D514,105 S * 1/2006 Ohta D14/384
D514,570 S * 2/2006 Ohta D14/384
D561,782 S 2/2008 Kim
D568,310 S 5/2008 Franck et al.
D695,316 S 12/2013 Akana et al.
D697,511 S * 1/2014 Andre H01Q 1/243
D14/439
D717,800 S 11/2014 Akana et al.
D732,540 S * 6/2015 Kang D14/439
D741,333 S * 10/2015 Aoyagi D14/432
D748,062 S * 1/2016 Akana D13/147
D748,621 S * 2/2016 Akana D14/341

OTHER PUBLICATIONS

U.S. Appl. No. 29/497,945, filed Jul. 30, 2014.

* cited by examiner

Primary Examiner — Austin Murphy

(74) *Attorney, Agent, or Firm* — Sterne, Kessler,
Goldstein & Fox P.L.L.C.

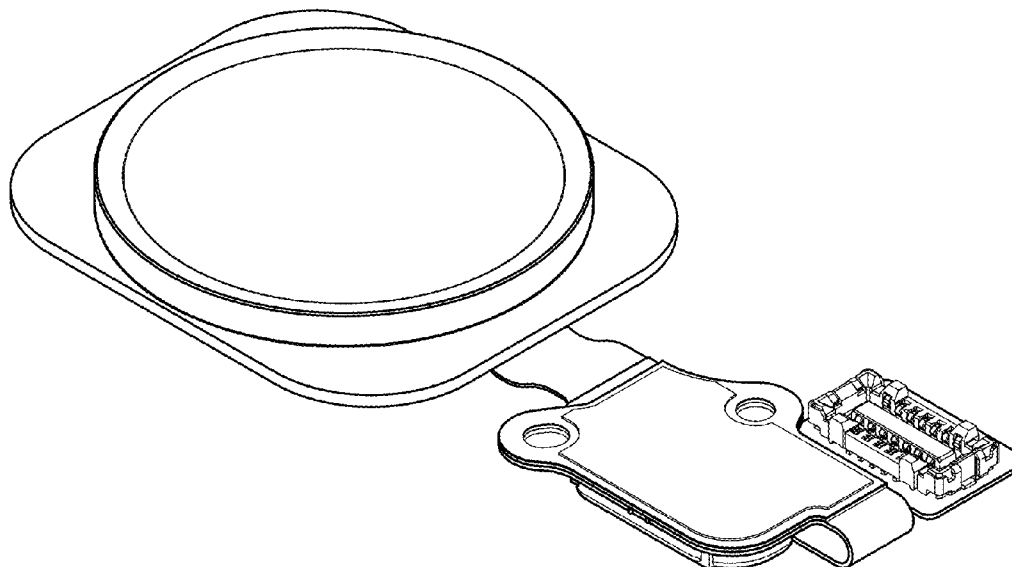
(57) **CLAIM**

The ornamental design for a component for electronic device, as shown and described.

DESCRIPTION

FIG. 1 is a front perspective view of a component for electronic device showing our new design;
FIG. 2 is a front view thereof;
FIG. 3 is a rear view thereof;
FIG. 4 is a left side view thereof;
FIG. 5 is a right side view thereof;
FIG. 6 is a top view thereof; and,
FIG. 7 is a bottom view thereof.

1 Claim, 7 Drawing Sheets



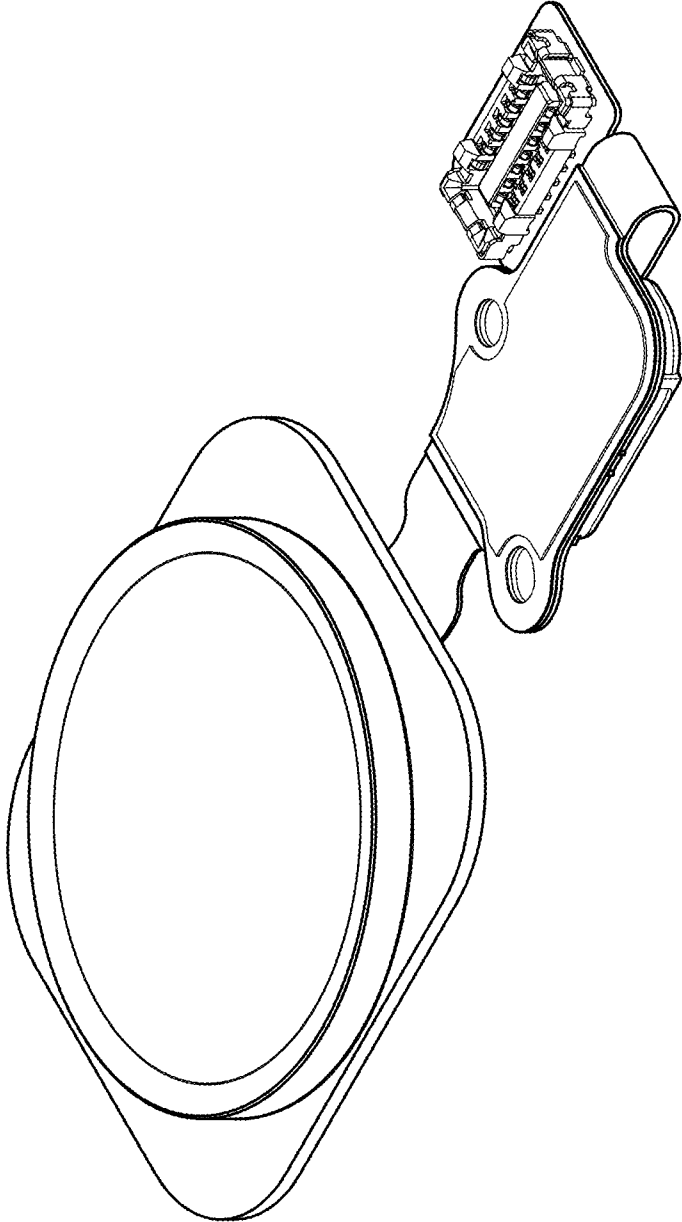


FIG.1

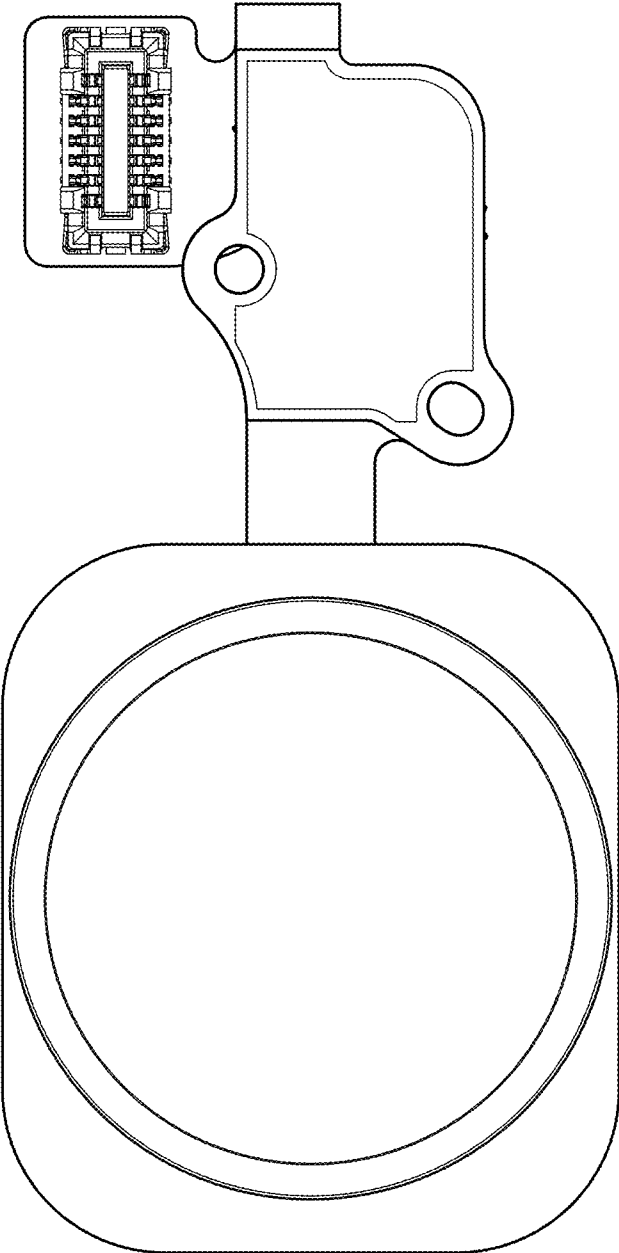


FIG. 2

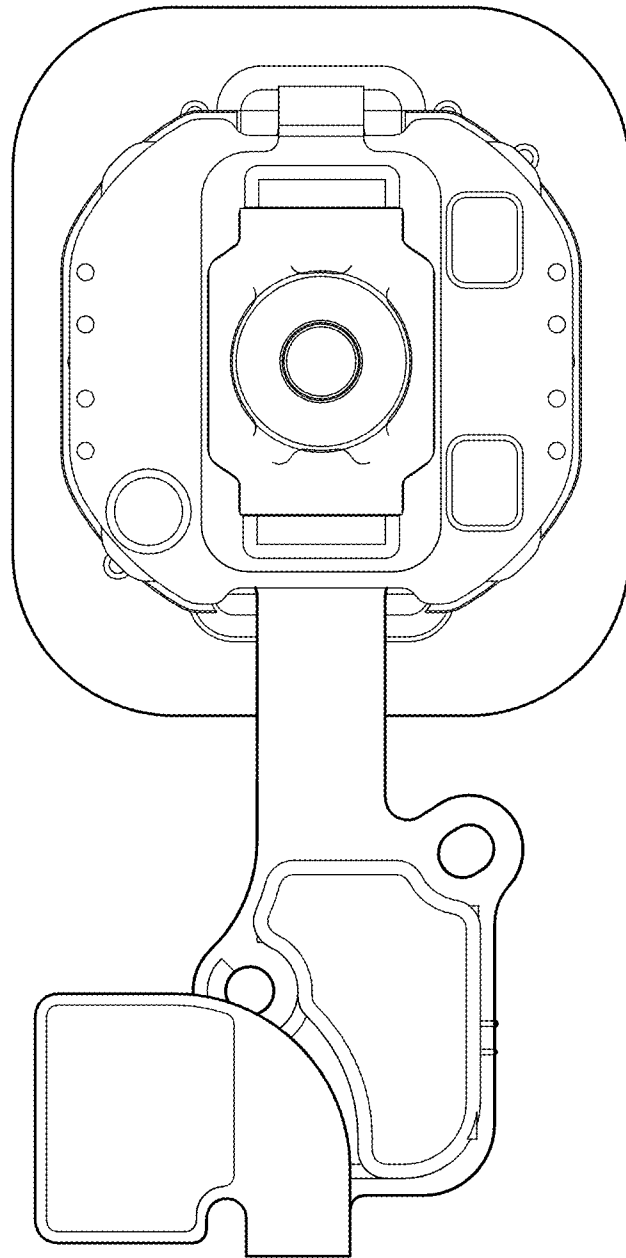


FIG. 3

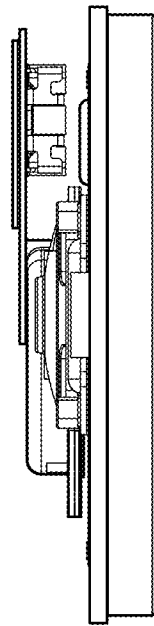


FIG.4

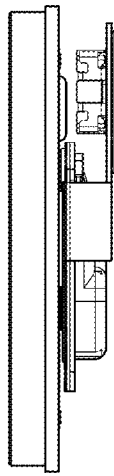


FIG.5

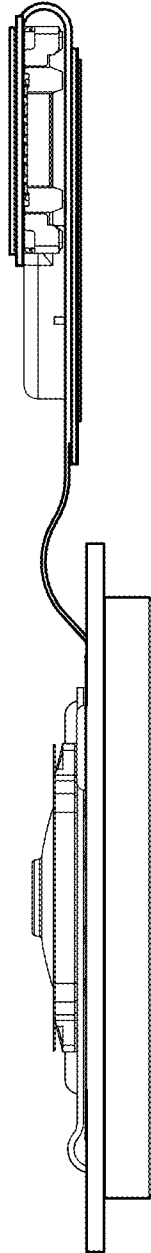


FIG.6

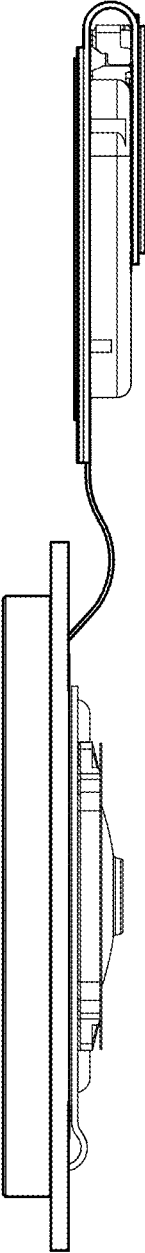


FIG. 7