



US00D935903S

(12) **United States Design Patent** (10) **Patent No.:** **US D935,903 S**
Hattori et al. (45) **Date of Patent:** **** Nov. 16, 2021**

(54) **WALL SCANNER**

FOREIGN PATENT DOCUMENTS

(71) Applicant: **MAKITA CORPORATION**, Anjo (JP)

JP 1234853 S 4/2005

(72) Inventors: **Kazunori Hattori**, Anjo (JP); **Hikaru Sunabe**, Anjo (JP)

* cited by examiner

(73) Assignee: **MAKITA CORPORATION**, Anjo (JP)

Primary Examiner — Antoine Duval Davis
(74) *Attorney, Agent, or Firm* — Global IP Counselors, LLP

(**) Term: **15 Years**

(57) **CLAIM**

(21) Appl. No.: **29/707,044**

The ornamental design for a wall scanner, as shown and described.

(22) Filed: **Sep. 25, 2019**

DESCRIPTION

(30) **Foreign Application Priority Data**

Mar. 26, 2019 (JP) 2019-006293

(51) **LOC (13) Cl.** **10-04**

(52) **U.S. Cl.**
USPC **D10/47; D10/78**

(58) **Field of Classification Search**
USPC D10/47, 78
CPC . G01V 3/12; G01V 3/08; G01V 3/088; G01V 3/15; G01V 3/16; G01V 3/165; G01V 3/17; G01V 3/175; G06F 1/637
See application file for complete search history.

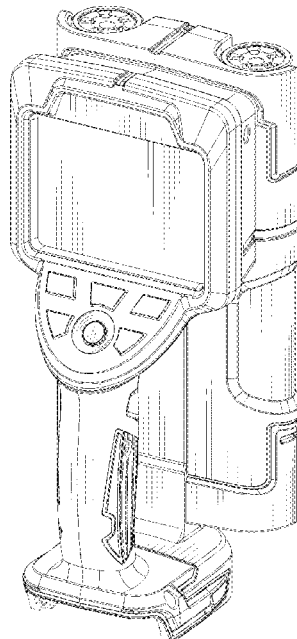
FIG. 1 is a front perspective view of a wall scanner in accordance with our new design;
FIG. 2 is a rear perspective view of the wall scanner in accordance with our new design;
FIG. 3 is a front elevational view of the wall scanner in accordance with our new design;
FIG. 4 is a rear elevational view of the wall scanner in accordance with our new design;
FIG. 5 is a top plan view of the wall scanner in accordance with our new design;
FIG. 6 is a bottom plan view of the wall scanner in accordance with our new design;
FIG. 7 is a right side elevational view of the wall scanner in accordance with our new design;
FIG. 8 is a left side elevational view of the wall scanner in accordance with our new design; and,
FIG. 9 is a front perspective view showing a state in which a battery is attached to the wall scanner in accordance with our new design.
The broken line showing of environmental structures in the drawings forms no part of the claimed design.

(56) **References Cited**

U.S. PATENT DOCUMENTS

9,082,269 B2 * 7/2015 Olsson G01V 3/081
9,194,950 B2 * 11/2015 Watts G01V 3/10
9,664,808 B2 * 5/2017 Nguyen H01M 10/052
9,784,837 B1 * 10/2017 Olsson G01S 17/58
D827,465 S * 9/2018 Ranieri G01V 3/088
D10/78
D867,169 S * 11/2019 Barron G01V 3/088
D10/47

1 Claim, 8 Drawing Sheets



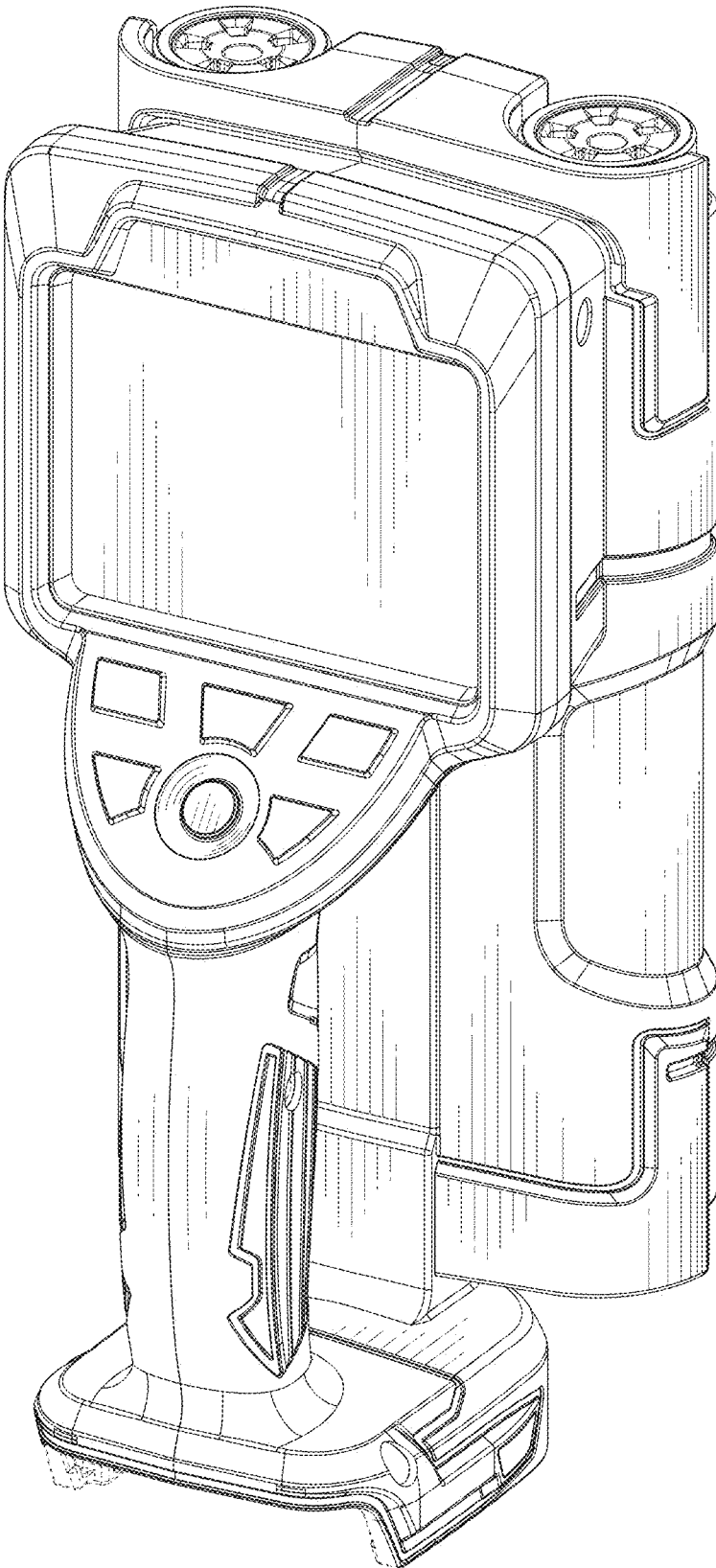


FIG. 1

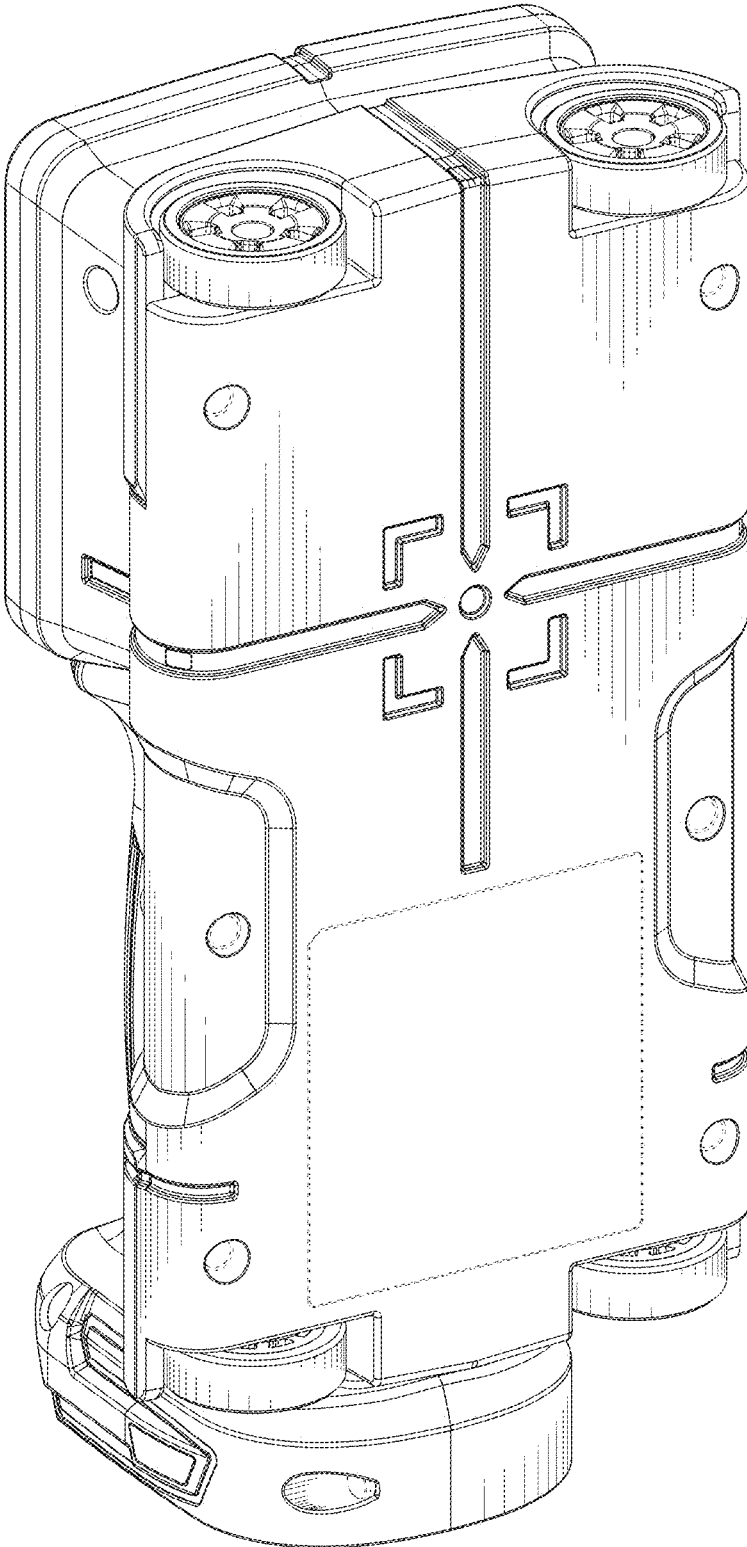


FIG. 2

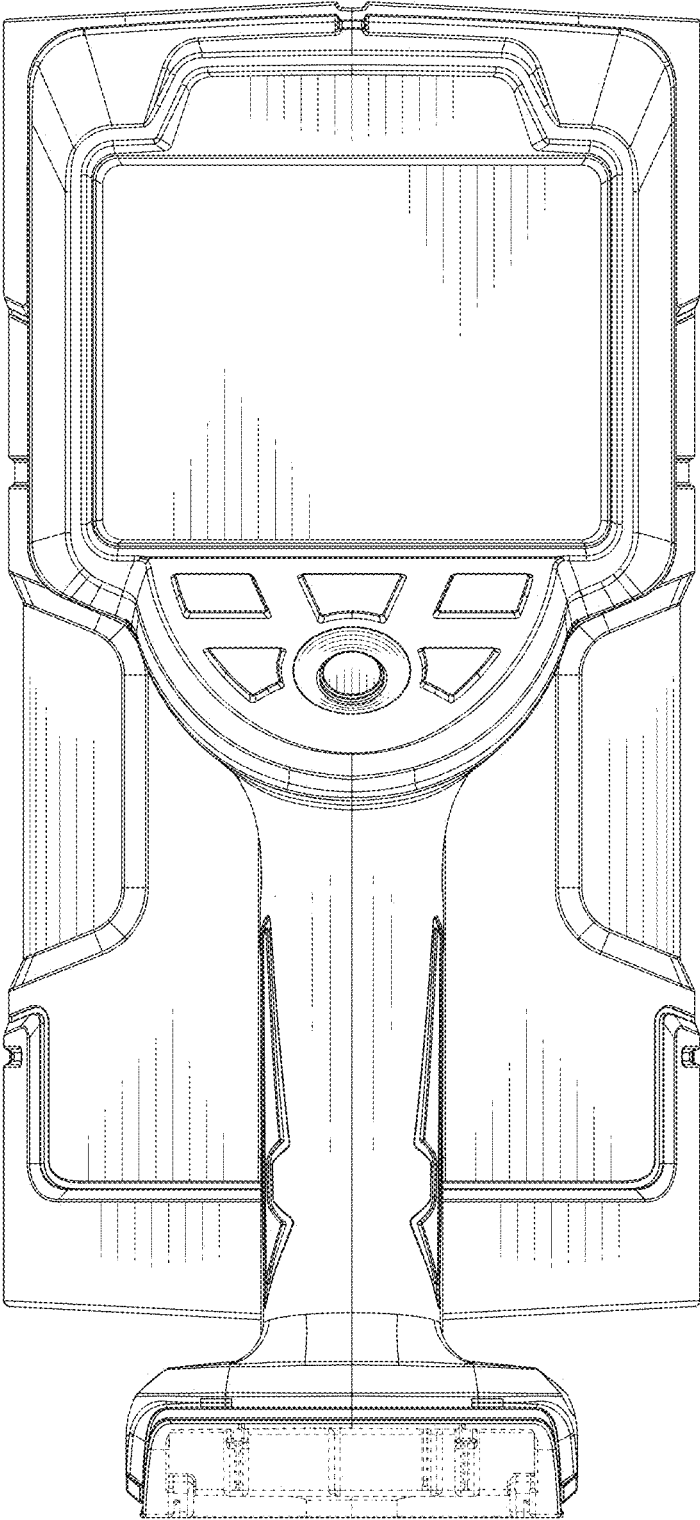


FIG. 3

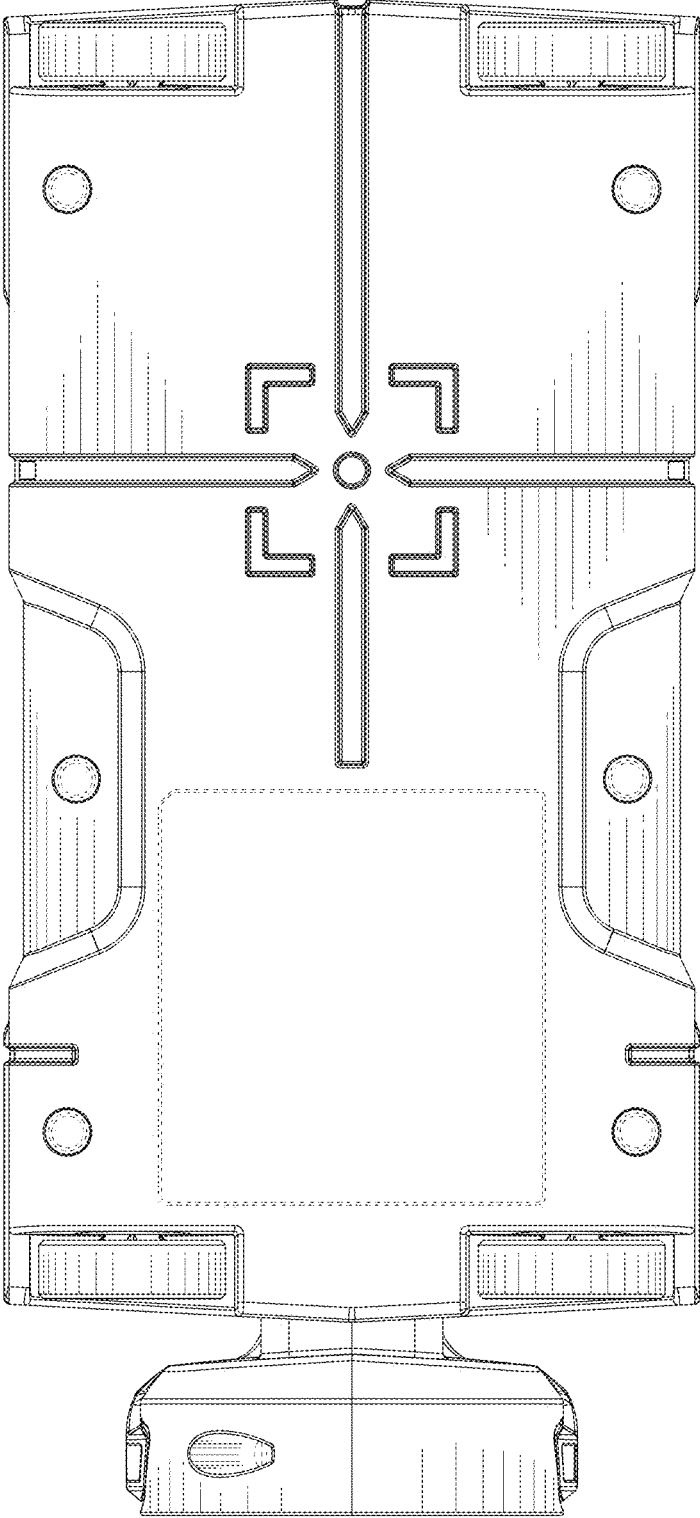


FIG. 4

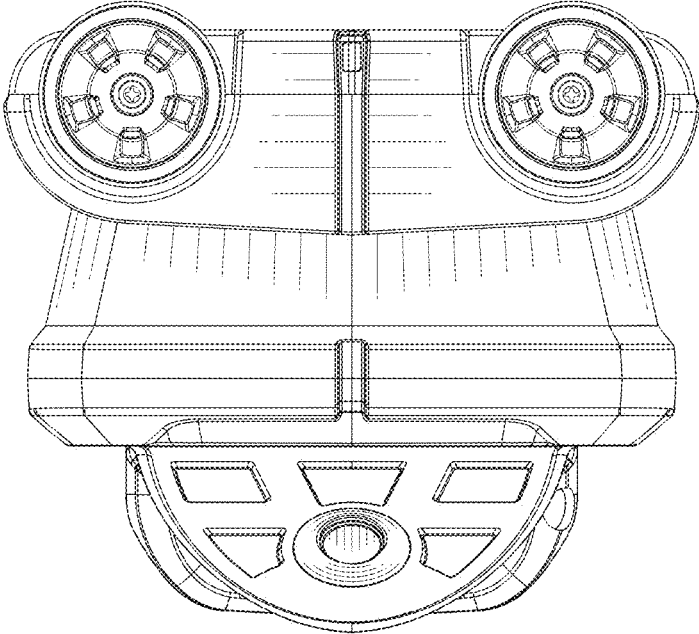


FIG. 5

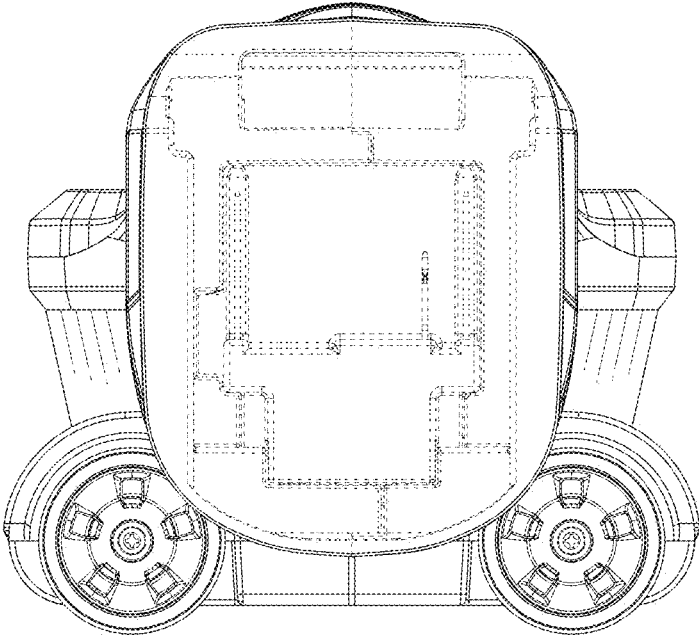


FIG. 6

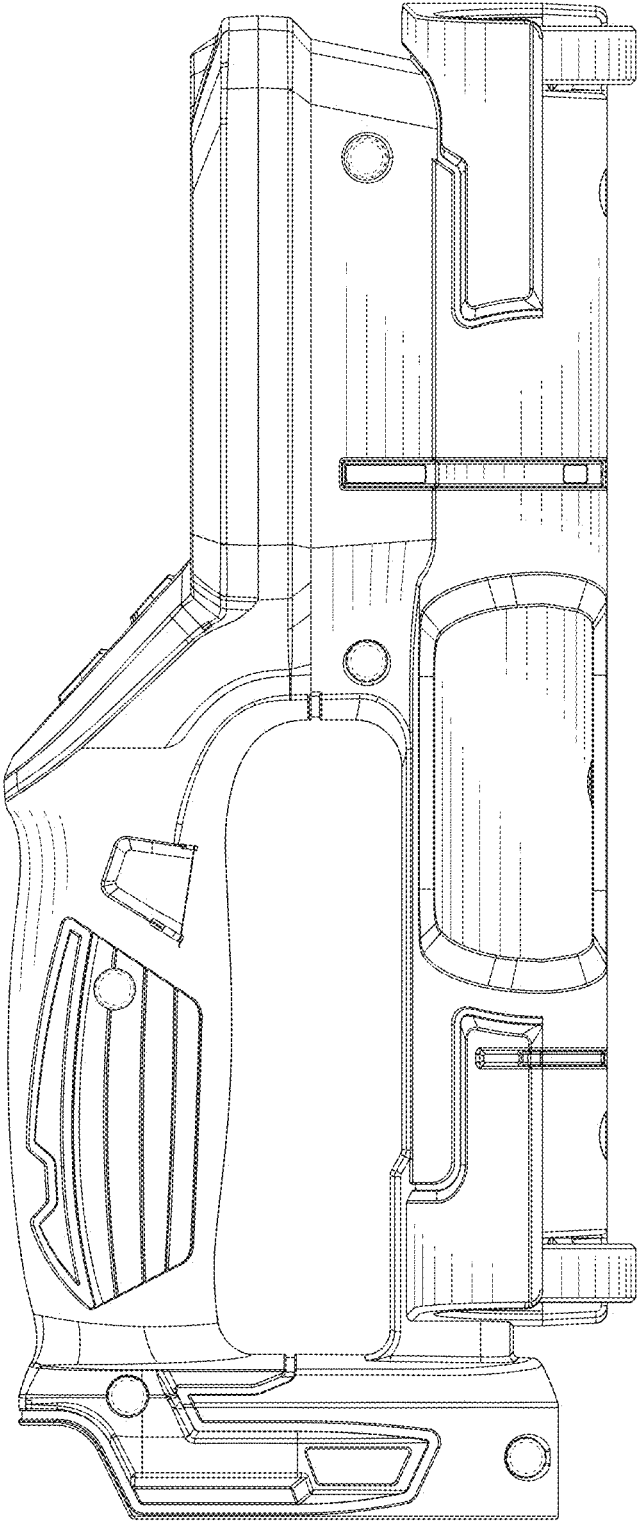


FIG. 7

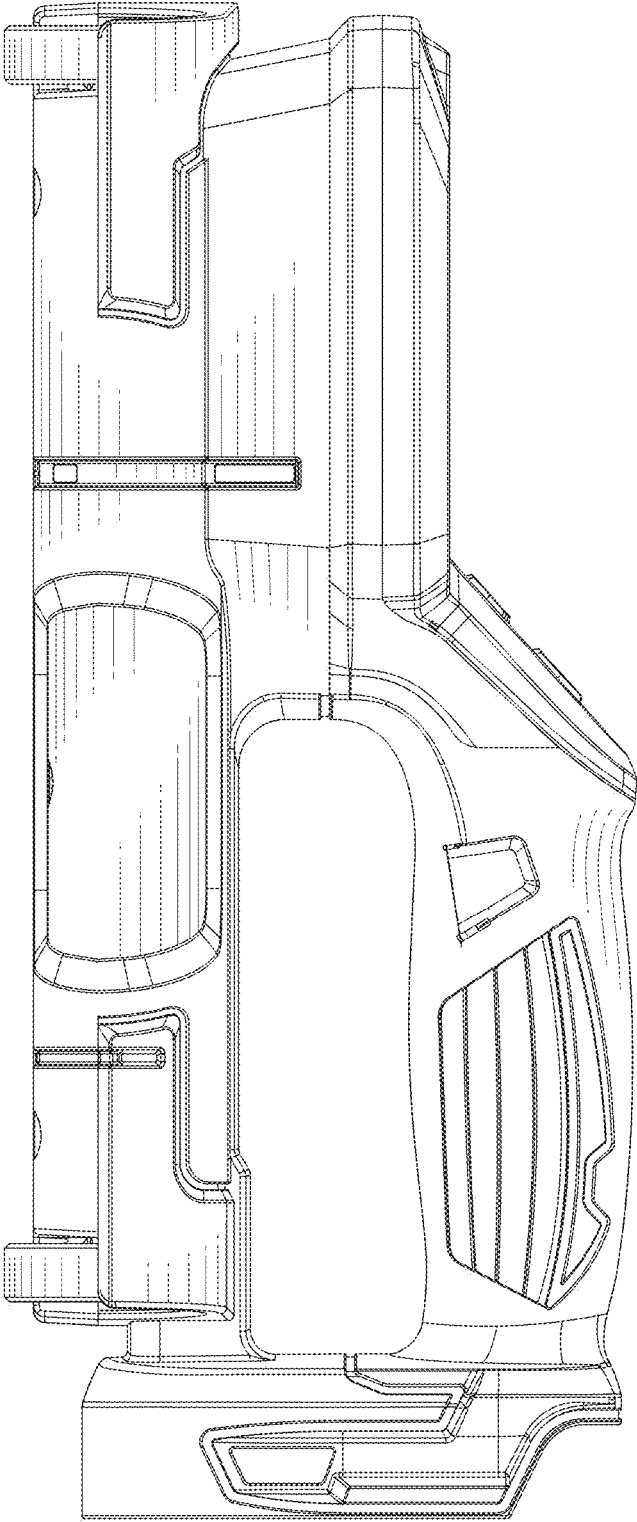


FIG. 8

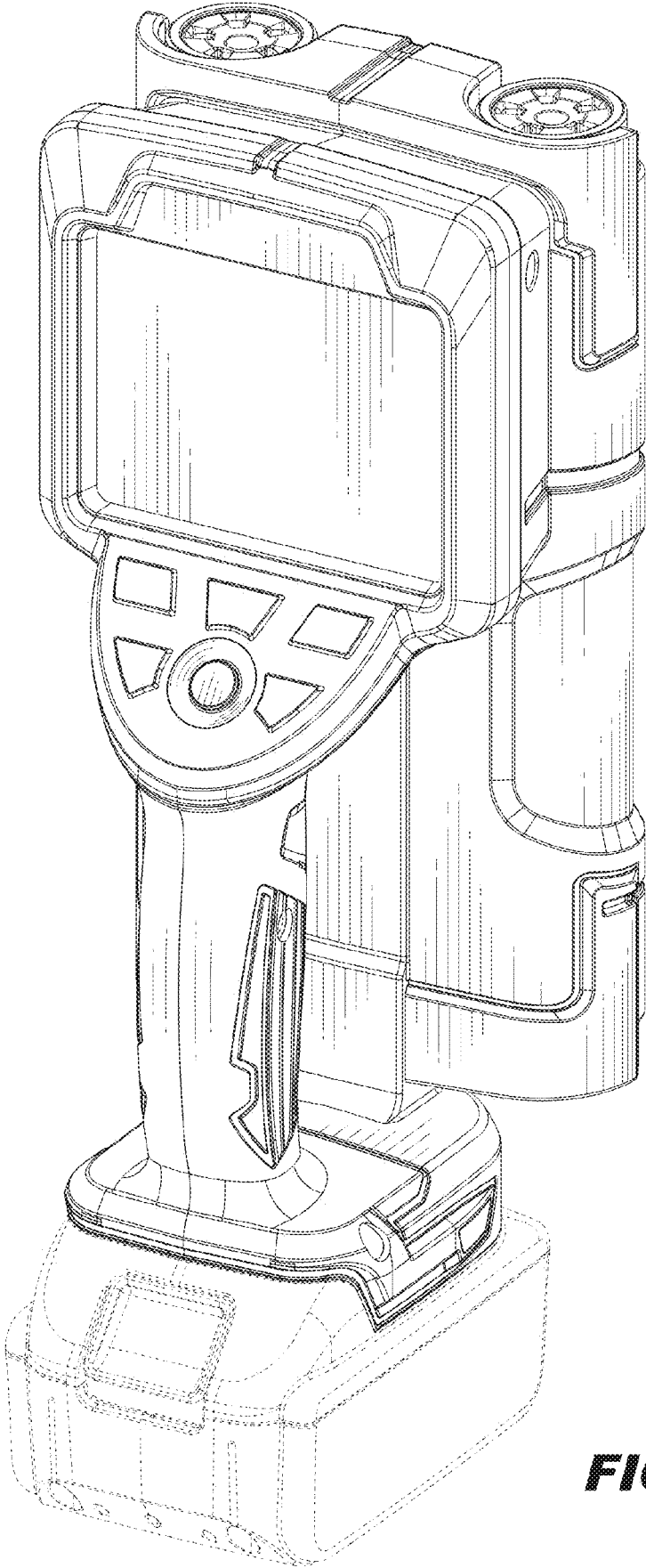


FIG. 9