



US00D739239S

(12) **United States Design Patent**
Seifer

(10) **Patent No.:** **US D739,239 S**
(45) **Date of Patent:** **** Sep. 22, 2015**

- (54) **CAP**
- (71) Applicant: **Sulzer Mixpac AG**, Haag (CH)
- (72) Inventor: **Ralf Seifer**, Sargans (CH)
- (73) Assignee: **SULZER MIXPAC AG**, Haag (CH)
- (**) Term: **14 Years**
- (21) Appl. No.: **29/461,701**
- (22) Filed: **Jul. 26, 2013**

(30) **Foreign Application Priority Data**

Feb. 13, 2013 (CH) 139 632

(51) **LOC (10) Cl.** **09-07**

(52) **U.S. Cl.**
USPC **D9/453**

(58) **Field of Classification Search**
USPC D9/434, 435, 436, 440, 443, 444, 445,
D9/449, 452, 454, 499; 132/304; 206/221,
206/222; 215/216; 220/253, 713; 222/525
CPC B65D 50/061; B65D 5/748
See application file for complete search history.

(56) **References Cited**

U.S. PATENT DOCUMENTS

3,860,133 A * 1/1975 Boxer et al. 215/206
D249,955 S * 10/1978 Vogelsang D23/261

D419,069 S *	1/2000	Beck et al.	D9/443
D445,678 S *	7/2001	Malmborg	D9/434
D445,679 S *	7/2001	Malmborg	D9/434
D445,681 S *	7/2001	Kimble et al.	D9/434
D467,803 S *	12/2002	Brown et al.	D9/443
D471,455 S *	3/2003	Laveault et al.	D9/443
D553,716 S *	10/2007	Lockard	D23/259
D612,914 S *	3/2010	Morad	D23/261
D673,244 S *	12/2012	Magargal et al.	D23/260
D679,597 S *	4/2013	Tamarindo	D9/452
2005/0236425 A1 *	10/2005	Casale et al.	222/83.5
2009/0020558 A1 *	1/2009	Bolli	222/83

* cited by examiner

Primary Examiner — Robert M Spear

Assistant Examiner — Darcey E Heflin

(74) *Attorney, Agent, or Firm* — Global IP Counselors, LLP

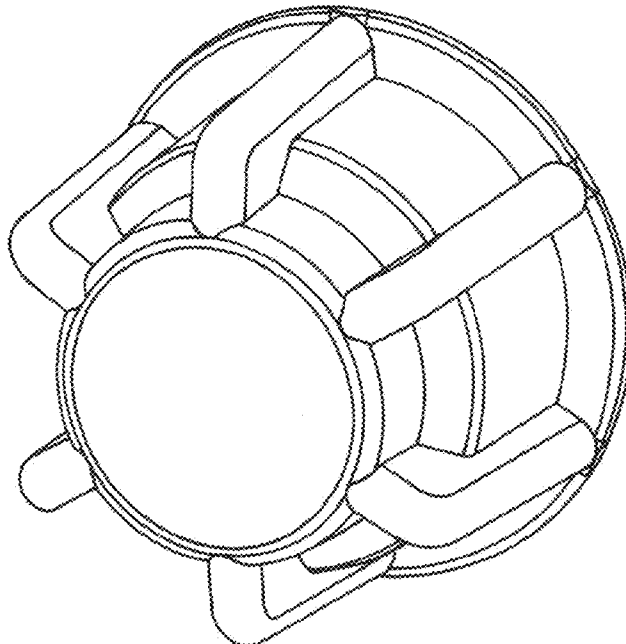
(57) **CLAIM**

The ornamental design for a cap, as shown and described herein.

DESCRIPTION

FIG. 1 illustrates a side view of a cap showing my new design;
FIG. 2 illustrates a side view thereof;
FIG. 3 illustrates a side view thereof;
FIG. 4 illustrates a side view thereof;
FIG. 5 illustrates a top view thereof;
FIG. 6 illustrates a bottom view thereof; and,
FIG. 7 illustrates a perspective view thereof.

1 Claim, 7 Drawing Sheets



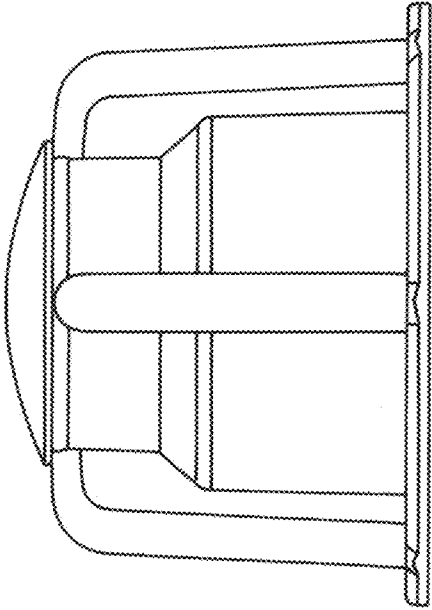


Figure 1

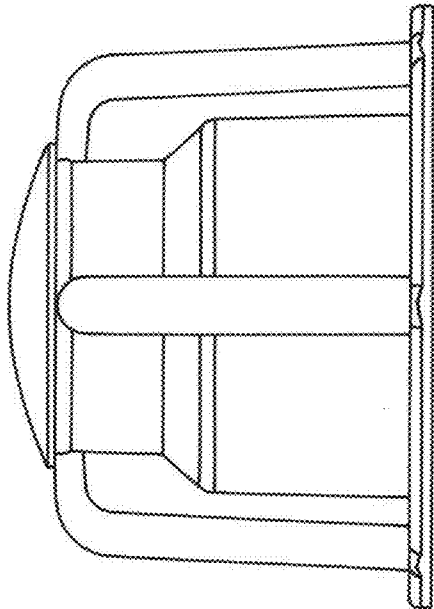


Figure 2

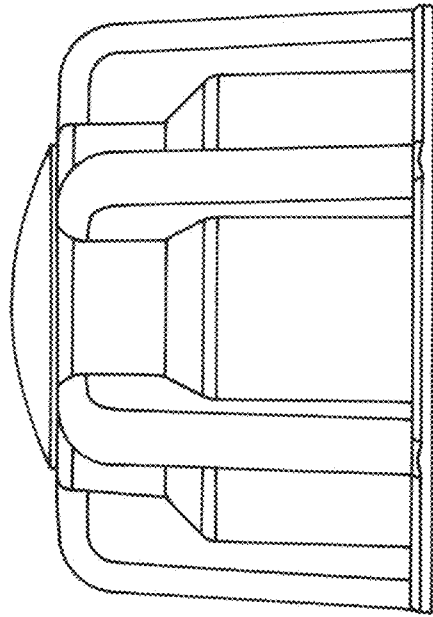


Figure 3

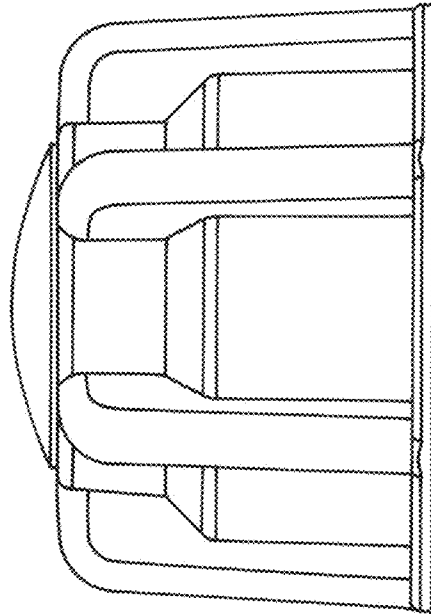


Figure 4

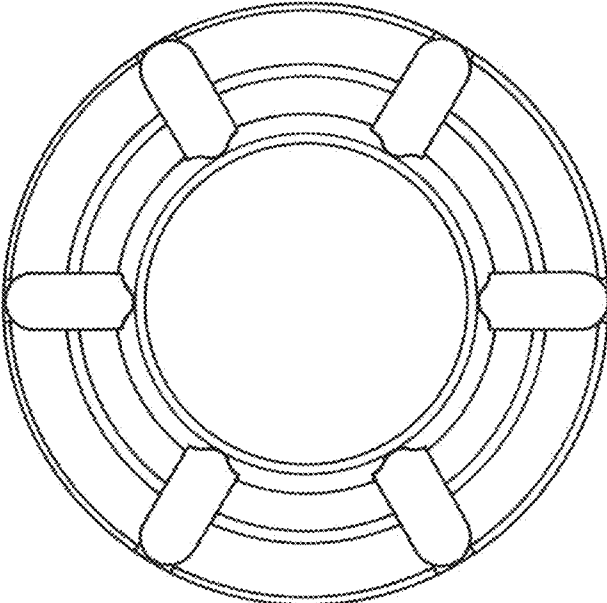


Figure 5

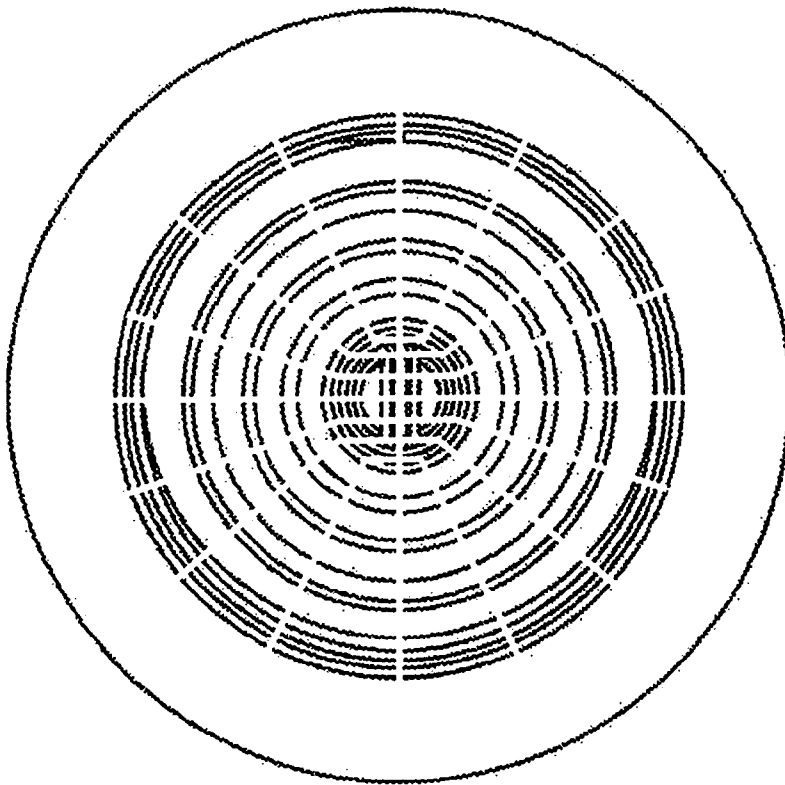


Figure 6

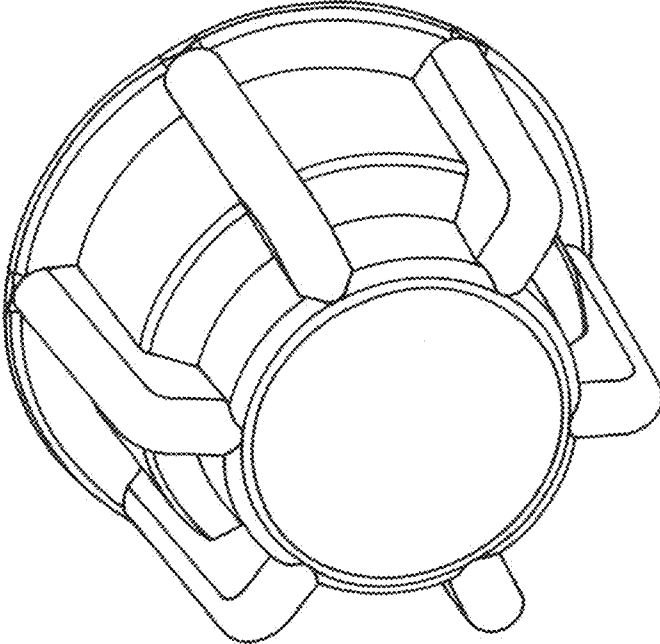


Figure 7