



US00D730478S

(12) **United States Design Patent**  
**Sims**

(10) **Patent No.:** **US D730,478 S**

(45) **Date of Patent:** **\*\* May 26, 2015**

(54) **RECOIL PAD**

(71) Applicant: **Steven C Sims**, Shelton, WA (US)

(72) Inventor: **Steven C Sims**, Shelton, WA (US)

(\*\*) Term: **14 Years**

(21) Appl. No.: **29/478,415**

(22) Filed: **Jan. 5, 2014**

(51) **LOC (10) Cl.** ..... **22-01**

(52) **U.S. Cl.**

USPC ..... **D22/111**

(58) **Field of Classification Search**

CPC ..... F41C 23/00; F41C 23/02; F41C 23/04;  
F41C 23/06; F41C 23/08; F41C 23/10;  
F41C 23/12; F41C 23/14; F41C 23/16;  
F41C 23/18; F41C 23/20; F41C 23/22;  
F41C 7/02; F41C 7/04; F41C 7/06; F41C  
7/11; F41C 7/12

USPC ..... D22/100, 103, 108, 111, 199; 42/70.03,  
42/71.01, 73, 74

See application file for complete search history.

(56) **References Cited**

**U.S. PATENT DOCUMENTS**

1,805,273 A \* 5/1931 Ammann ..... 42/74  
6,305,115 B1 \* 10/2001 Cook ..... 42/74

D460,142 S \* 7/2002 West ..... D22/111  
6,467,212 B1 \* 10/2002 Apel ..... 42/74  
2011/0302817 A1 \* 12/2011 deBrun et al. .... 42/74  
2013/0000175 A1 \* 1/2013 Quaedpeerds et al. .... 42/73  
2014/0196336 A1 \* 7/2014 Butler ..... 42/1.06

\* cited by examiner

*Primary Examiner* — Michael A Pratt

(74) *Attorney, Agent, or Firm* — Wells St. John, PS

(57) **CLAIM**

I claim the ornamental design for a recoil pad, as shown and described.

**DESCRIPTION**

FIG. 1 is a perspective view of the recoil pad in its environment;

FIG. 2 is a perspective top view of the recoil pad of FIG. 1;

FIG. 3 is a perspective bottom view of the recoil pad of FIG. 1;

FIG. 4 is a top view of the recoil pad of FIG. 1;

FIG. 5 is a bottom view of the recoil pad of FIG. 1;

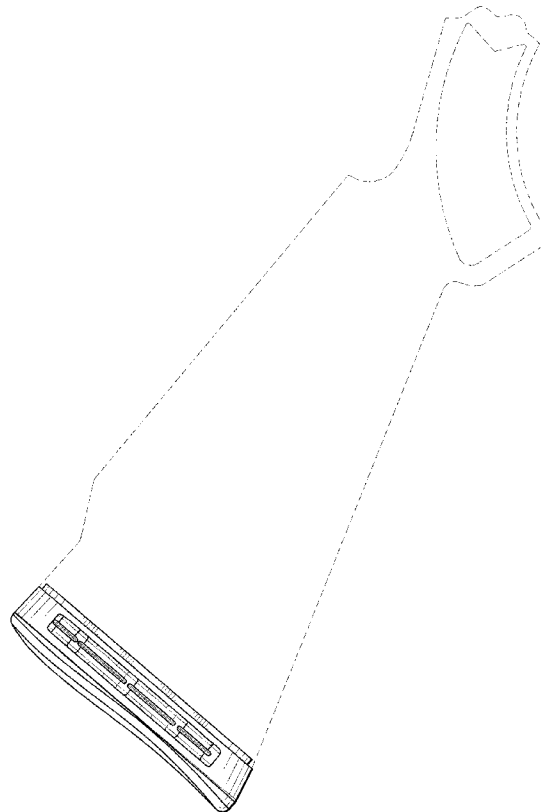
FIG. 6 is a first side view of the recoil pad of FIG. 1;

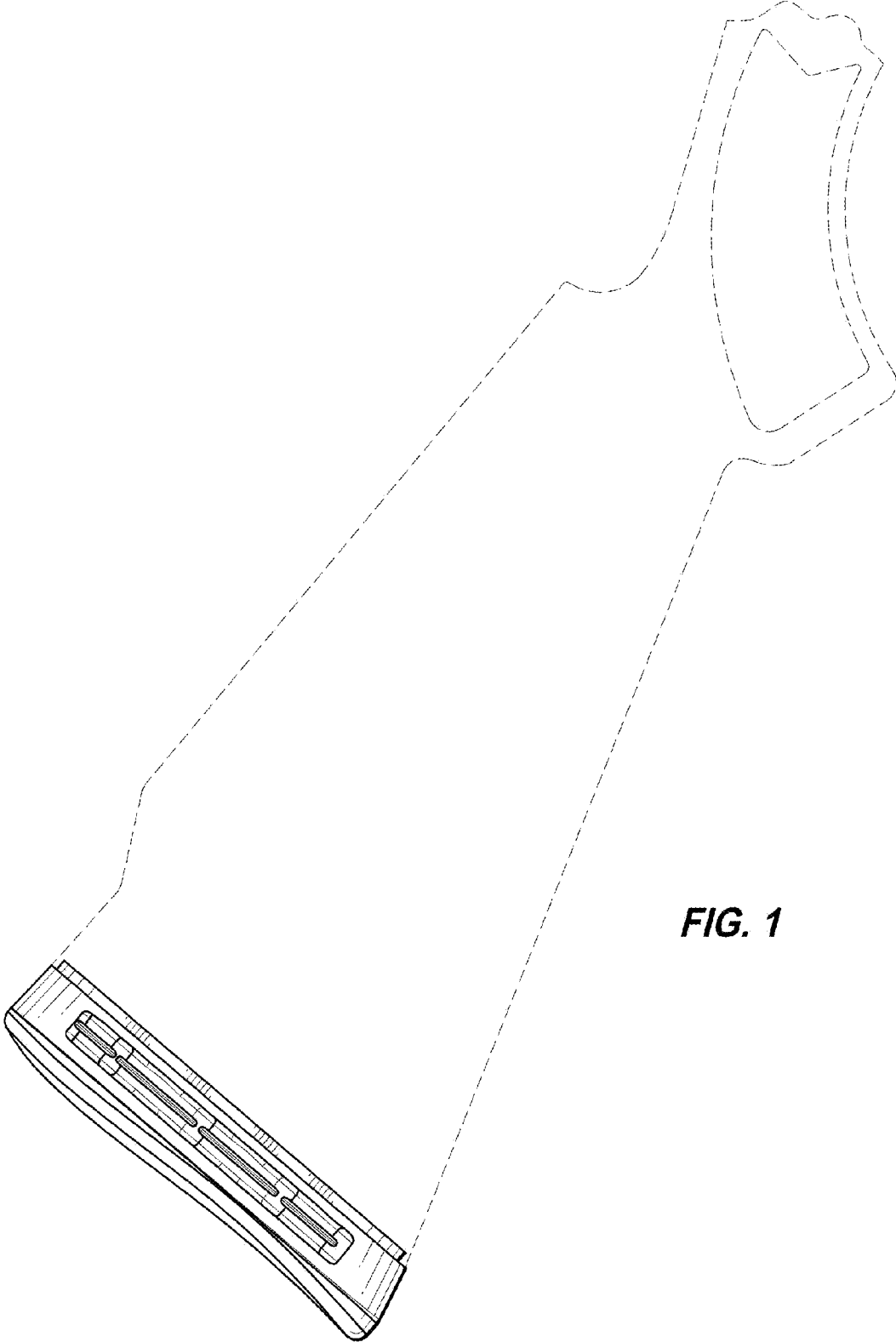
FIG. 7 is a second side view of the recoil pad of FIG. 1;

FIG. 8 is a first end view of the recoil pad of FIG. 1; and,

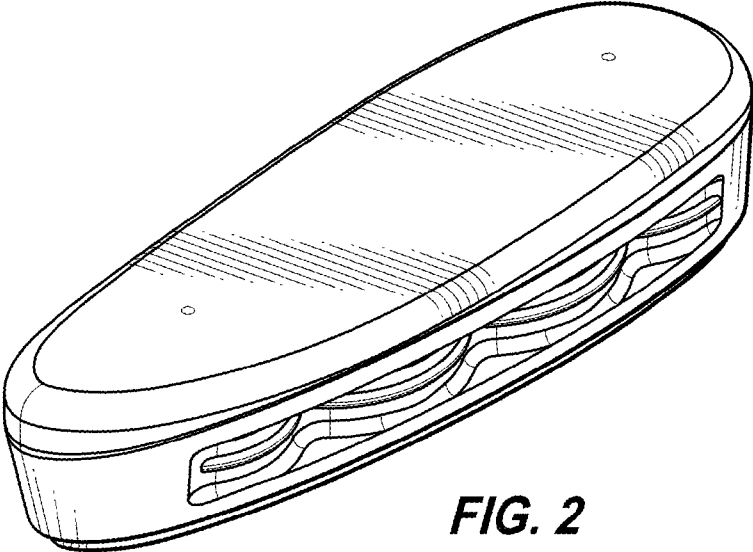
FIG. 9 is a second end view of the recoil pad of FIG. 1.

**1 Claim, 4 Drawing Sheets**

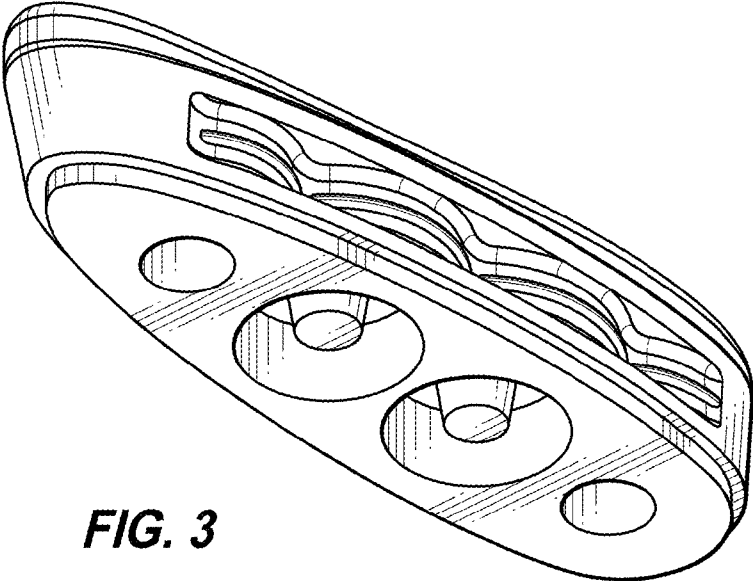




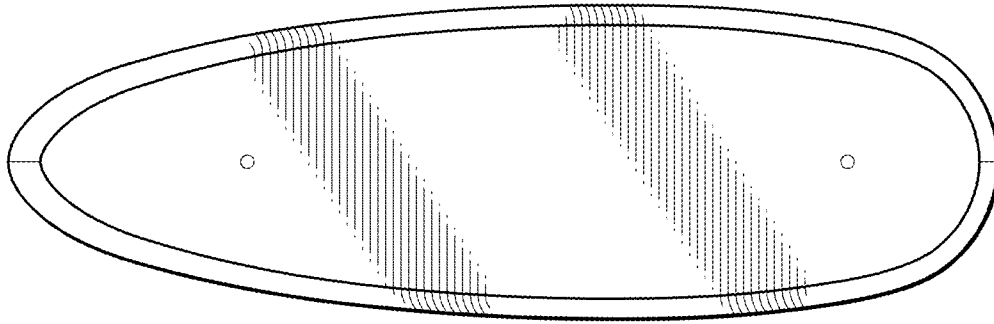
**FIG. 1**



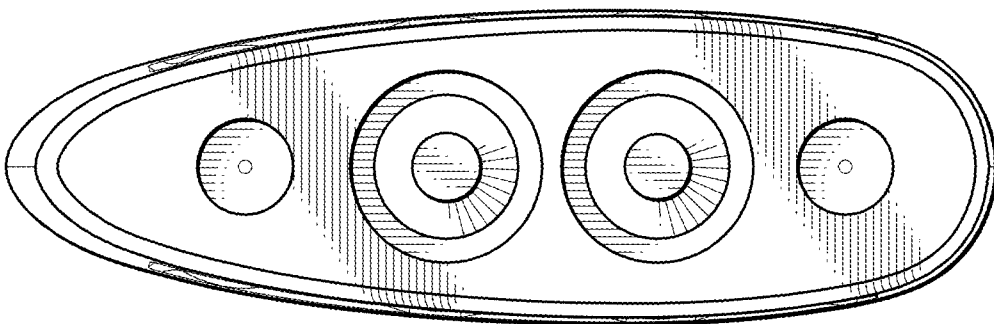
**FIG. 2**



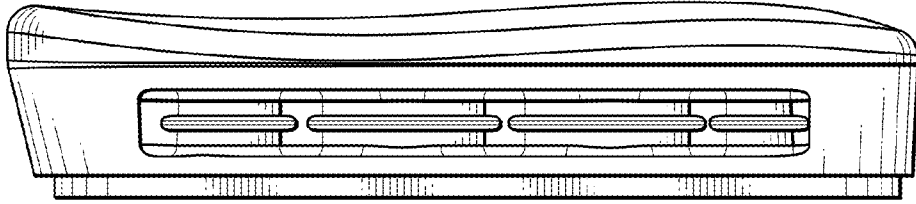
**FIG. 3**



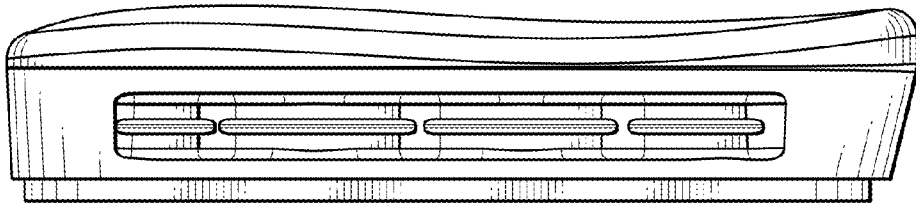
**FIG. 4**



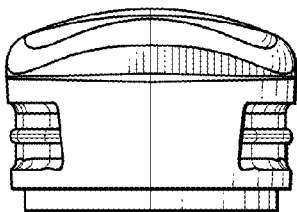
**FIG. 5**



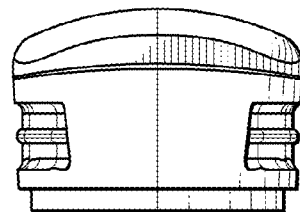
**FIG. 6**



**FIG. 7**



**FIG. 8**



**FIG. 9**