



(12) **United States Design Patent**  
**Perrault**

(10) **Patent No.:** **US D897,528 S**  
(45) **Date of Patent:** **\*\* Sep. 29, 2020**

- (54) **OPTICAL DEVICE**
- (71) Applicant: **Welch Allyn, Inc.**, Skaneateles Falls, NY (US)
- (72) Inventor: **Brian Perrault**, Skaneateles Falls, NY (US)
- (73) Assignee: **WELCH ALLYN, INC.**, Skaneateles Falls, NY (US)

- D377,393 S 1/1997 Sams
- D379,514 S 5/1997 Laun et al.
- D423,668 S 4/2000 Coe
- D429,333 S 8/2000 Sander et al.
- 6,130,520 A 10/2000 Wawro et al.
- D566,270 S 4/2008 Strom et al.
- D566,838 S 4/2008 Slawson et al.
- D594,555 S 6/2009 Hsu

(Continued)

(\*\*) Term: **15 Years**

(21) Appl. No.: **29/660,164**

(22) Filed: **Aug. 17, 2018**

(51) **LOC (12) Cl.** ..... **24-02**

(52) **U.S. Cl.**  
USPC ..... **D24/137**

(58) **Field of Classification Search**  
 USPC ..... D24/133, 137, 107, 138, 150, 165, 172,  
 D24/185, 186; 351/218, 221, 205, 206;  
 606/4; 320/111, 114, 138; 600/200  
 CPC ..... A61B 1/227; A61B 3/1208; A61B 5/022;  
 A61B 5/02233; A61B 5/02225; A61B  
 5/021; A61B 5/6824; A61B 5/742; A61B  
 5/02141; H02J 7/004; H01M 2/1055;  
 H01M 10/46; H01M 2/1005; A61M  
 2230/30

See application file for complete search history.

(56) **References Cited**

**U.S. PATENT DOCUMENTS**

- D207,372 S 4/1967 Pulos
- D243,973 S 4/1977 Pulos et al.
- D286,814 S 11/1986 Brainard, II et al.
- D298,630 S 11/1988 Sellars, Jr. et al.
- 5,177,424 A \* 1/1993 Connors ..... H02J 7/0042  
310/50
- 5,200,772 A 4/1993 Perkins et al.
- 5,202,710 A 4/1993 Perkins
- D358,471 S 5/1995 Cope et al.

**OTHER PUBLICATIONS**

3.5 V Diagnostic Oscopes [online] [retrieved Jun. 10, 2014]. Retrieved from the Internet: <URL:http://intl.welchallyn.com/apps/products/product.jsp?id=11-ac-100-000000001141>. (2011) 1 page.

(Continued)

*Primary Examiner* — Wan Laymon  
*Assistant Examiner* — Mark Booker  
(74) *Attorney, Agent, or Firm* — Alston & Bird LLP

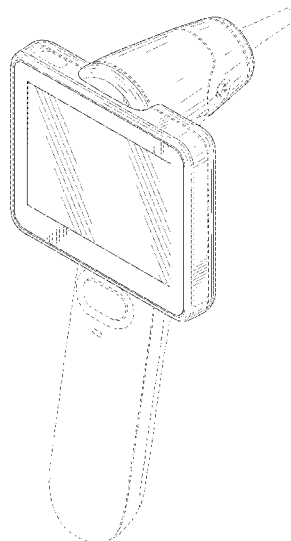
(57) **CLAIM**

The ornamental design for an optical device, as shown and described.

**DESCRIPTION**

FIG. 1 is a perspective view of an optical device showing my new design;  
 FIG. 2 is another perspective view thereof;  
 FIG. 3 is a front elevation view thereof;  
 FIG. 4 is a rear elevation view thereof;  
 FIG. 5 is a right side elevation view thereof;  
 FIG. 6 is a left side elevation view thereof;  
 FIG. 7 is a top plan view thereof; and,  
 FIG. 8 is a bottom plan view thereof.  
 The dash broken lines shown in the figures represent portions of the optical device that form no part of the claimed design. The dash dot dash broken lines shown in the figures represents boundaries to the claimed design and forms no part of the claimed design.

**1 Claim, 8 Drawing Sheets**



(56)

References Cited

U.S. PATENT DOCUMENTS

D618,346 S 6/2010 Sisko et al.  
 D618,794 S 6/2010 Onuma  
 D619,708 S 7/2010 Ellman  
 7,862,173 B1 1/2011 Ellman  
 D635,256 S \* 3/2011 Huang ..... D24/137  
 D635,257 S 3/2011 Ellman  
 D637,715 S \* 5/2011 Clarke ..... D24/137  
 D667,040 S \* 9/2012 Holmes ..... D16/206  
 D671,214 S \* 11/2012 Funakoshi ..... D24/138  
 8,459,844 B2 6/2013 Lia et al.  
 D708,326 S 7/2014 Wang et al.  
 D708,327 S 7/2014 Wang et al.  
 D709,191 S 7/2014 Wood et al.  
 D722,165 S \* 2/2015 Pukall ..... D24/165  
 D736,918 S 8/2015 Liu  
 D737,823 S 9/2015 Partridge et al.  
 D760,388 S 6/2016 Slawson et al.  
 D760,895 S 7/2016 McMahon et al.  
 D776,809 S 1/2017 Vallee et al.  
 D802,768 S \* 11/2017 Rider ..... D24/165  
 D835,271 S \* 12/2018 Myers ..... D24/137  
 2004/0039251 A1 2/2004 Roberts et al.  
 2010/0191063 A1 \* 7/2010 Hsu ..... A61B 1/227  
 600/200

OTHER PUBLICATIONS

3.5 V Standard Ophthalmoscope [online] [retrieved Jun. 10, 2014].  
 Retrieved from the Internet: <URL:http://intel.welchallyn.com/apps/

products/product.jsp?id=11-ac-100-000000001137>. (2011) 1,page.  
 PocketScope Ophthalmoscope [online] [retrieved Jun. 10, 2014].  
 Retrieved from the Internet: <URL:http://intel.welchallyn.com/apps/  
 products/product.jsp?id=11-ac-100-000000001139>. (2011) 1 page.  
 PocketScope Oscope with Throat Illuminator [online] [retrieved  
 Jun. 10, 2014]. Retrieved from the Internet: <URL:http://intel.  
 welchallyn.com/apps/products/product.jsp?id=11-ac-100-  
 000000001148. (2011) 1 page.  
 Welch Allyn 2.5v PocketScope Ophthalmoscope with AA Handle  
 (Model 12820) [online] [retrieved Jun. 10, 2014]. Retrieved from  
 the Internet:<URL:http://www.amazon.com/Welch-allyn-PocketScope-  
 Ophthalmoscope-Handle/dp/B002MBRHROQ/repd\_sim\_sbs\_hpc\_  
 1?ie=UTF8&refRID=0KV7EFBWEAQ08K . . . >. (undated) 2  
 pages.  
 Welch Allyn Oscope/ophthalmoscope Diagnostic Set MOD 95001  
 [online] [retrieved Jun. 10, 2014]. Retrieved from the Internet:  
 <URL:http://www.amazon.com/Welch-Allyn-ophthalmoscope-  
 MOD95001/dp/BOOORJXUDS/ref=pd\_sxp\_grid\_pt\_0\_1>. (undated)  
 2 pages.  
 Welch Allyn PocketScope Oscope w/“AA” Handle and Soft Case,  
 1/Ea, 22821 [online] [retrieved Jun. 10, 2014]. Retrieved from the  
 Internet: <URL:http://www.amazon.com/Welch-Allyn-PocketScope-  
 Oscope-22821/dp/BOOOROJ8UW/re-pd\_sim\_hpc\_3?ie=UTF8  
 &refRID=13090GMJV3SHNBVAQPKS>. (undated) 2 pages.  
 Design U.S. Appl. No. 29/544,302, filed Nov. 2, 2015, in Re: Myers  
 et al., “Optical Imaging Device”.  
 Design U.S. Appl. No. 29/650,401, filed Jun. 6, 2018, in Re:  
 Knieriem et al., “Medical Device”.  
 Design U.S. Appl. No. 29/654,308, filed Jun. 22, 2018, in Re:  
 Englert et al., “Medical Device”.

\* cited by examiner

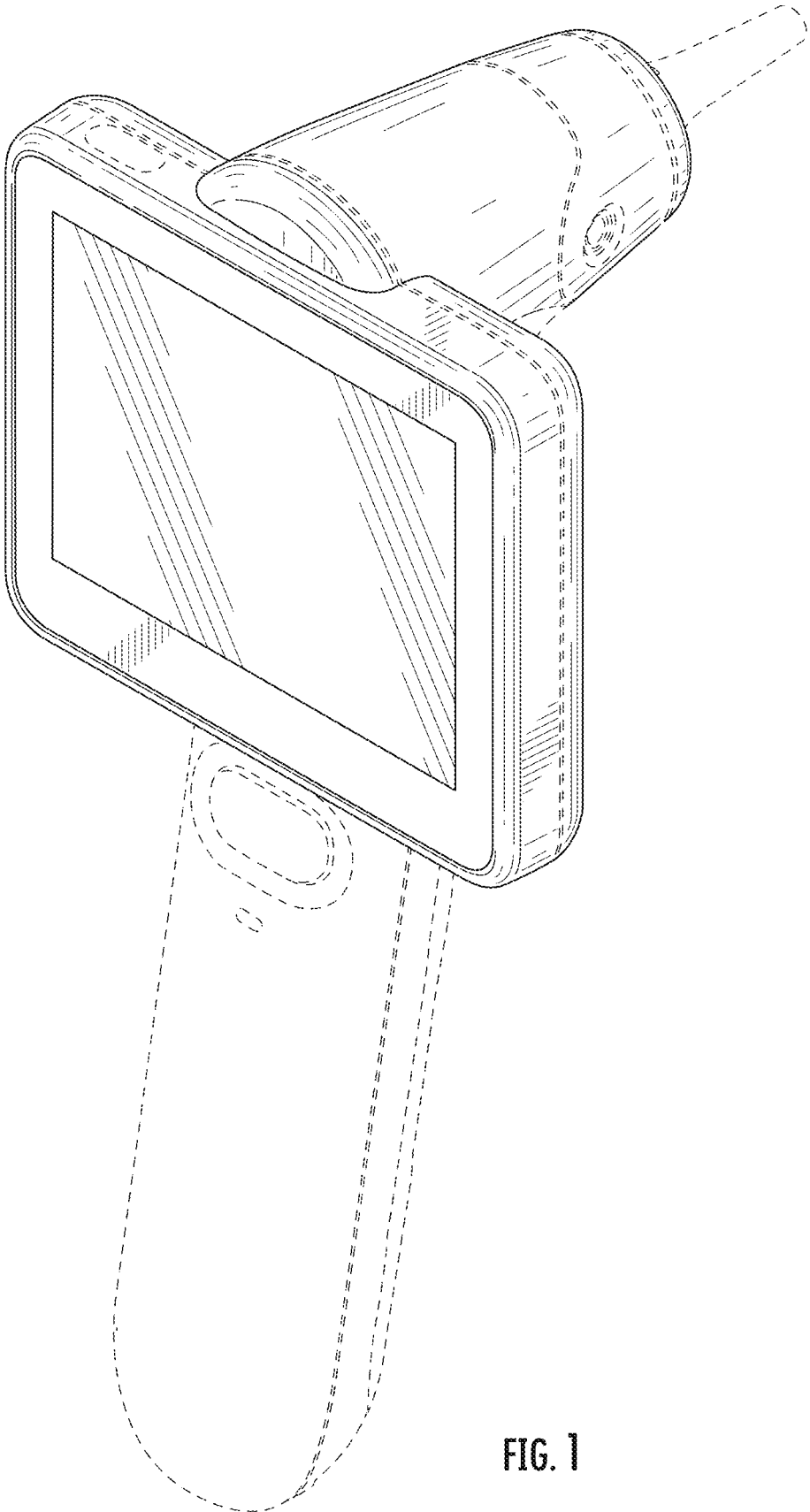


FIG. 1

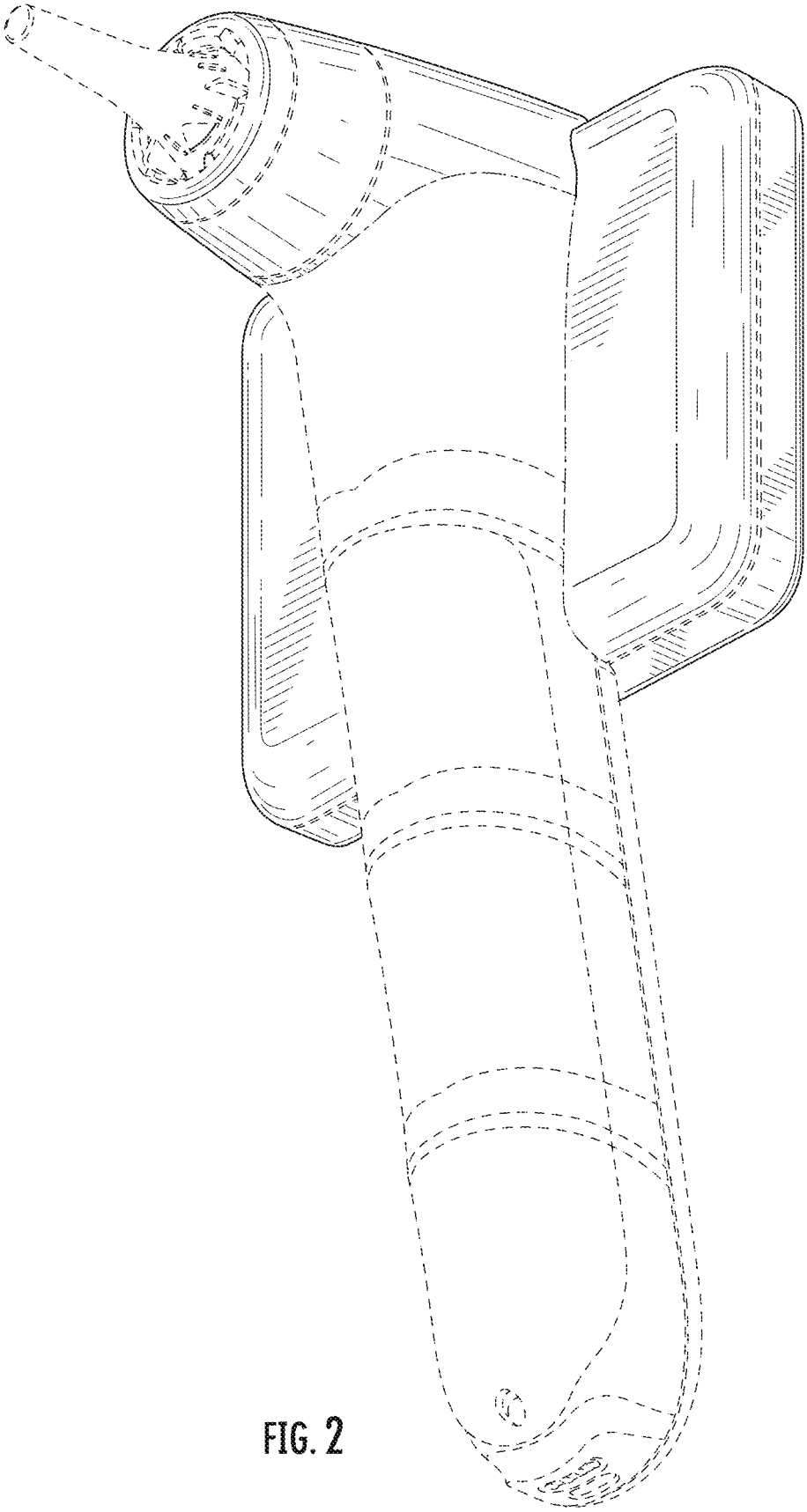


FIG. 2

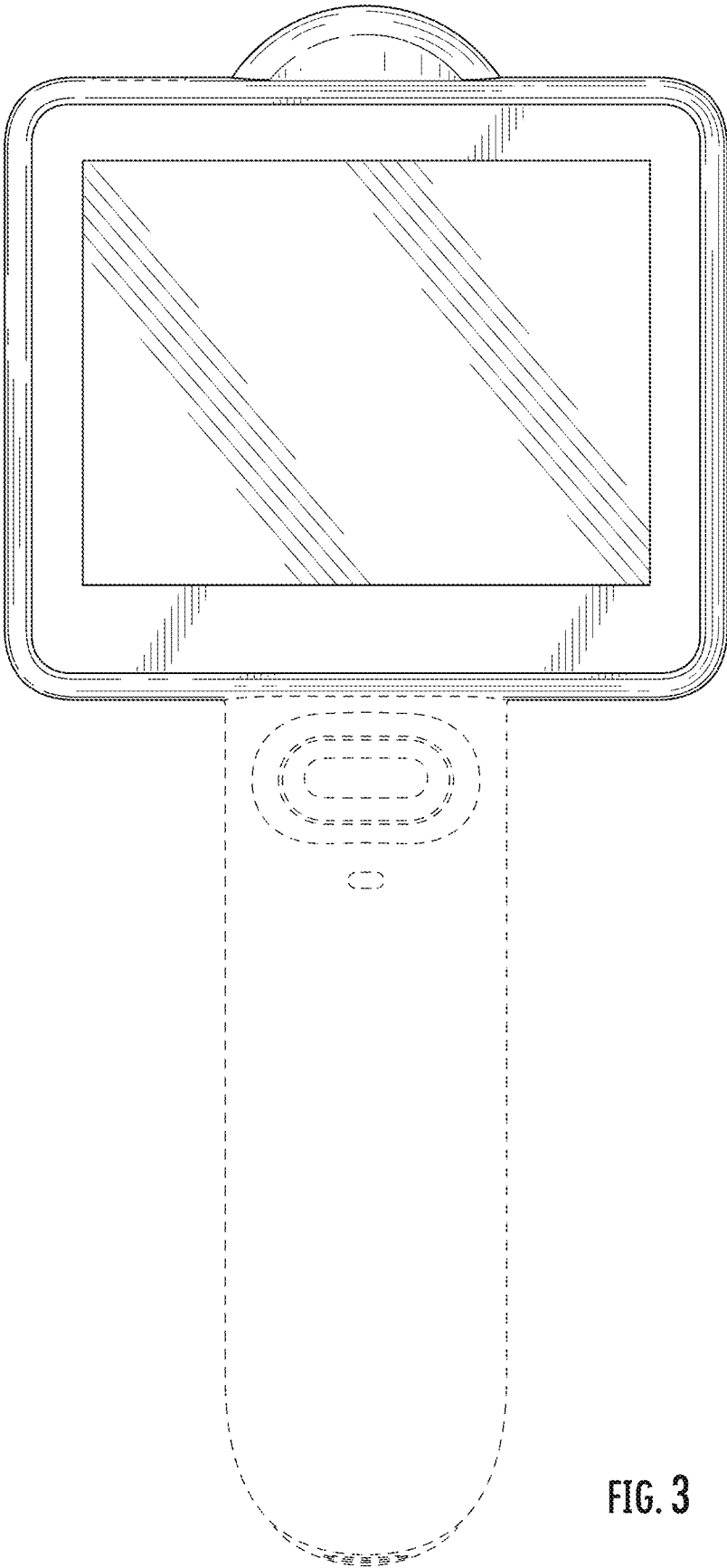


FIG. 3

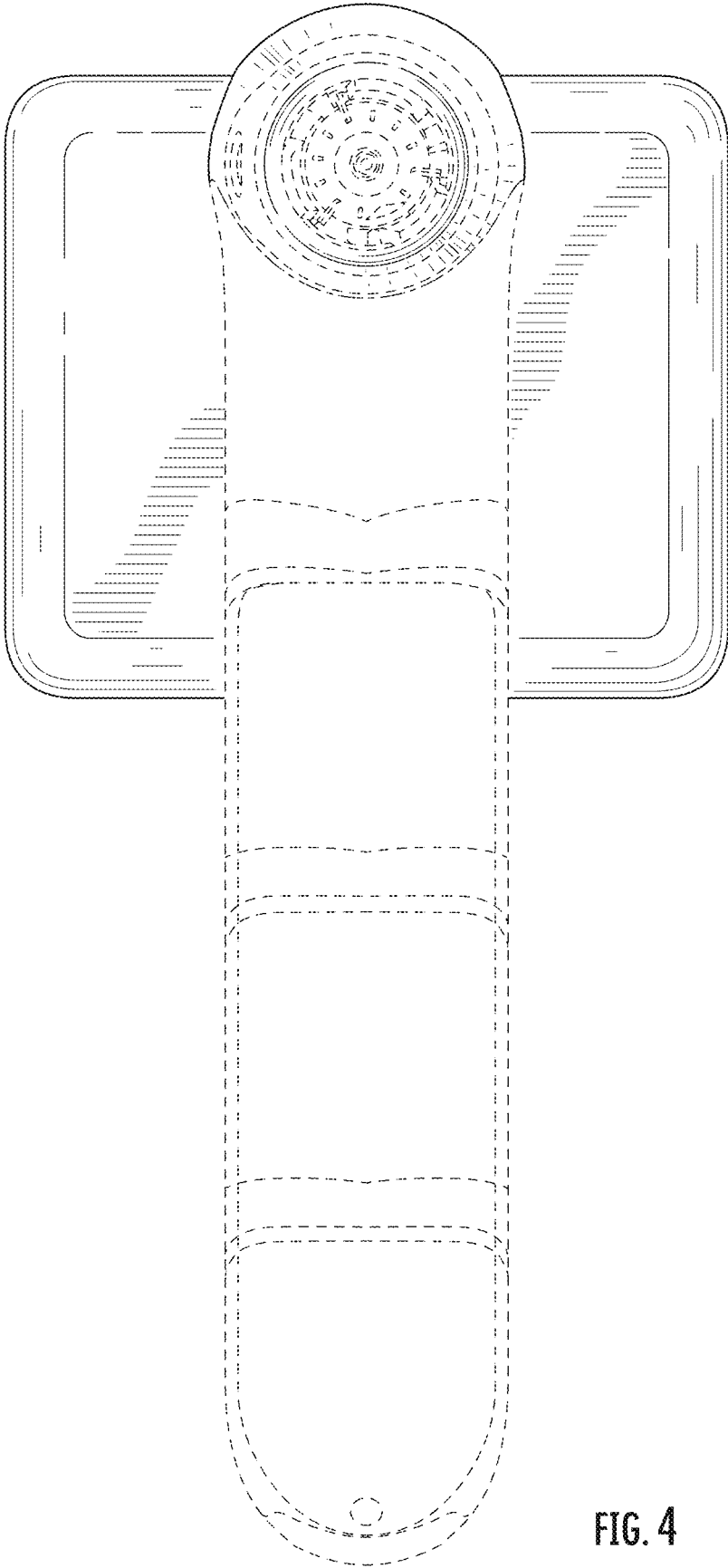


FIG. 4

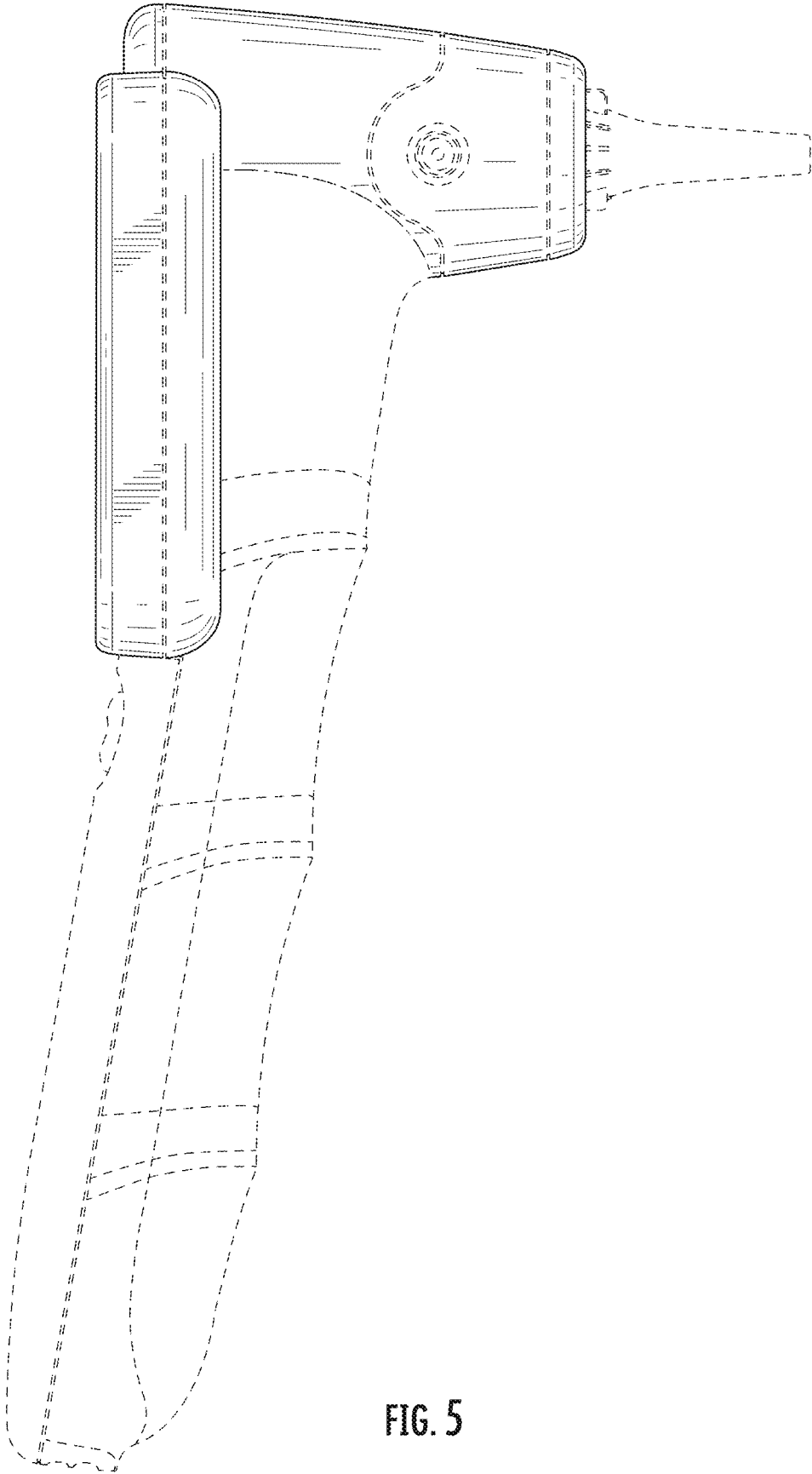


FIG. 5

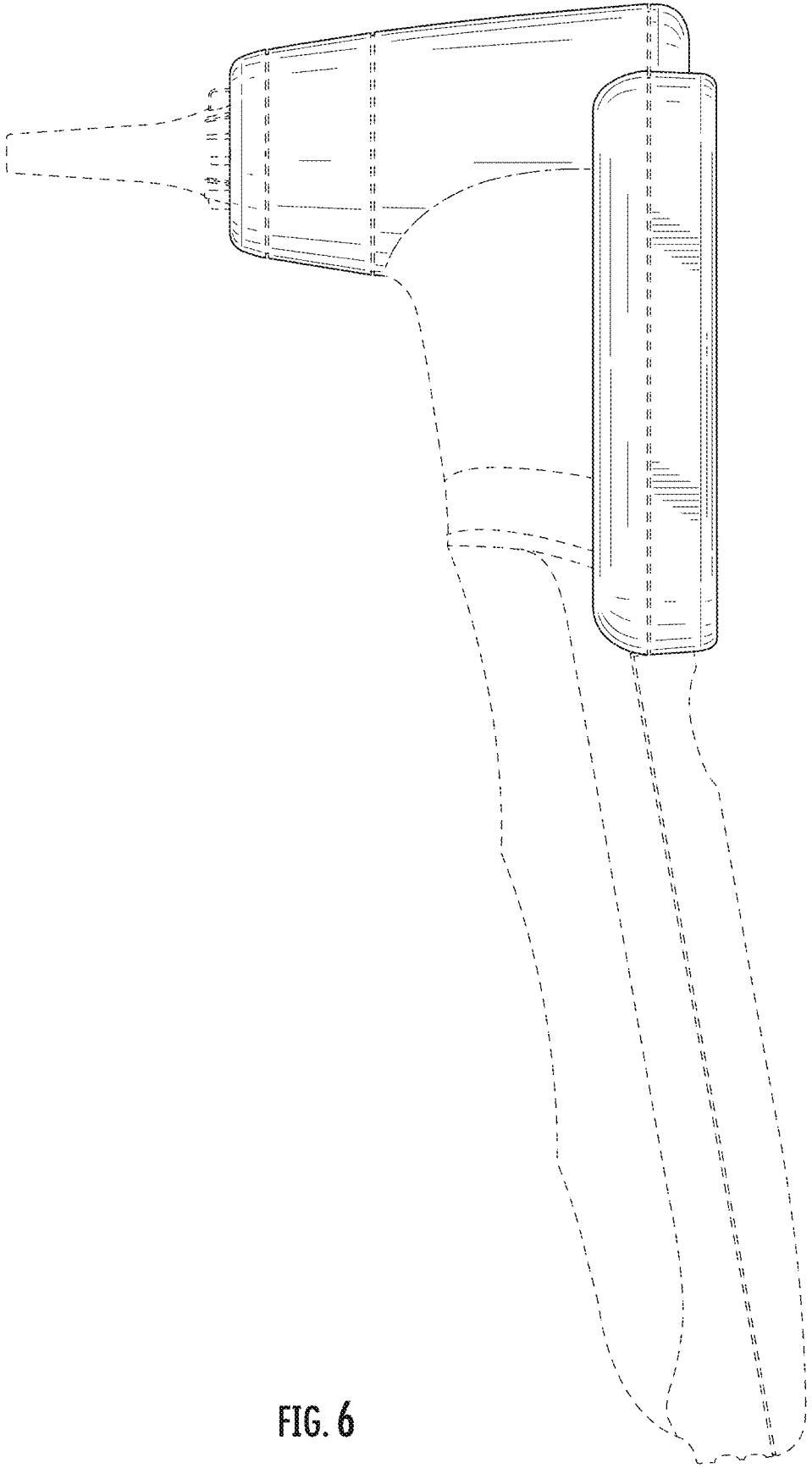


FIG. 6



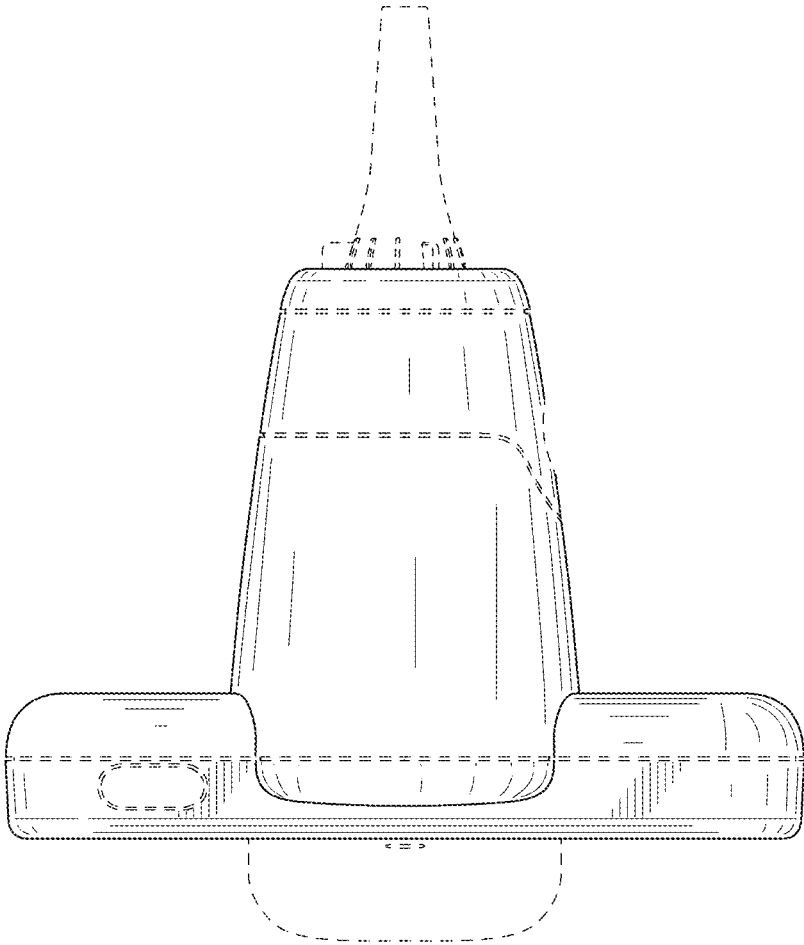


FIG. 7

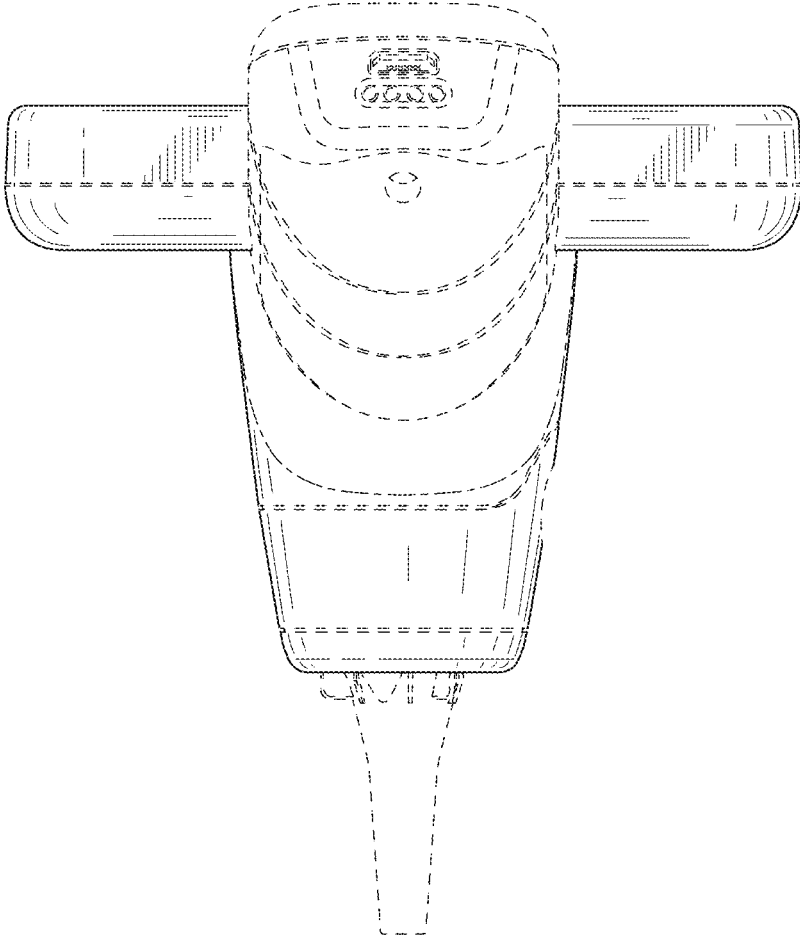


FIG. 8