



(12) **United States Design Patent** (10) **Patent No.:** **US D559,249 S**
Takei (45) **Date of Patent:** **** Jan. 8, 2008**

(54) **PORTABLE HARD DISK DRIVE**
 (75) Inventor: **Yutaka Takei**, Tokyo (JP)
 (73) Assignee: **Sony Corporation**, Tokyo (JP)
 (**) Term: **14 Years**
 (21) Appl. No.: **29/263,346**
 (22) Filed: **Jul. 21, 2006**

JP	D1243508 S	6/2005
TW	442108 S	6/2001
TW	477614 S	2/2002
TW	486318 S	5/2002
TW	500441 S	8/2002
TW	541060 S	7/2003
TW	545993 S	8/2003
TW	546019 S	8/2003
TW	549927 S	8/2003
TW	D102577 S	1/2005
TW	D103010 S	2/2005

(51) **LOC (8) CL.** **14-02**
 (52) **U.S. CL.** **D14/356**
 (58) **Field of Classification Search** D14/137,
 D14/156, 167, 240, 242, 299, 348, 356, 384-5,
 D14/402, 432-435, 496; 257/315; 439/518,
 439/139, 141, 144, 140, 638; 365/63, 131;
 710/74, 62; 361/685-6

See application file for complete search history.

(56) **References Cited**
 U.S. PATENT DOCUMENTS
 D307,261 S * 4/1990 Miki et al. D13/103
 D363,064 S * 10/1995 Rogov D14/433
 D368,911 S * 4/1996 Lam D14/242
 D444,788 S 7/2001 Do et al.
 6,567,273 B1 5/2003 Liu et al.
 6,676,420 B1 * 1/2004 Liu et al. 439/131
 D487,458 S * 3/2004 Gentil et al. D14/356
 6,786,743 B2 * 9/2004 Huang 439/131
 D508,711 S * 8/2005 Suzuki D16/218

(Continued)

FOREIGN PATENT DOCUMENTS
 JP D899383 S 5/1994
 JP D1096580 S 1/2001
 JP D1115411 S 7/2001
 JP D1115508 S 7/2001
 JP D1123108 S 10/2001
 JP D1164026 S 1/2003
 JP 2004-5407 A 1/2004
 JP D1228555 S 1/2005
 JP D1238445 S 5/2005

OTHER PUBLICATIONS

PDF Search: A-Data Technology.pdf— http://www.adata.com.tw/adata_en/product_show.php?ProductNo=AHD1ZZZGH, pp. 1-2, Jul. 3, 2007.*

(Continued)

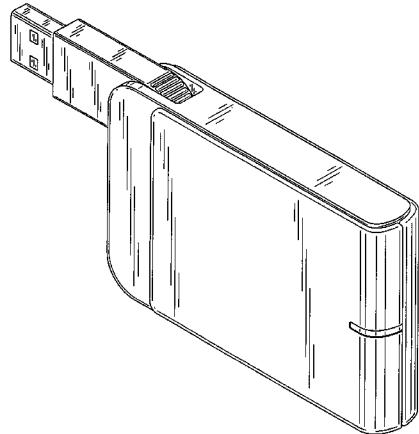
Primary Examiner—Robin V. Webster
Assistant Examiner—Karen E. Kearney
 (74) *Attorney, Agent, or Firm*—Rader, Fishman & Grauer, PLLC

(57) **CLAIM**
 The ornamental design for a portable hard disk drive, as shown.

DESCRIPTION

FIG. 1 is a front right top perspective view of a portable hard disk drive showing my new design;
 FIG. 2 is a front left top perspective view thereof;
 FIG. 3 is a front elevational view thereof;
 FIG. 4 is a rear elevational view thereof;
 FIG. 5 is a left side elevational view thereof;
 FIG. 6 is a right side elevational view thereof;
 FIG. 7 is a top plan view thereof; and,
 FIG. 8 is a bottom plan view thereof.

1 Claim, 8 Drawing Sheets



U.S. PATENT DOCUMENTS

D511,344	S	11/2005	Takei	
D514,103	S	1/2006	Huang et al.	
7,009,847	B1 *	3/2006	Wu et al.	361/737
7,025,275	B2	4/2006	Huang et al.	
D522,520	S *	6/2006	Hsu	D14/436
D537,036	S *	2/2007	Chen	D13/133
D543,981	S *	6/2007	Diebel	D14/356
2003/0045176	A1 *	3/2003	Liu	439/687
2005/0161513	A1	7/2005	Huang et al.	
2006/0199435	A1 *	9/2006	Foo et al.	439/638

OTHER PUBLICATIONS

batteries-usbcell.com.pdf—<http://www.usbcell.com/products>, Sep. 23, 2006 swivel WD Passport Pocket 6 GB USB 2.0 Hard Drives (WDXMM60WP).pdf—<http://www.wdc.com/en/products/products.asp?driveid=226&language=en>, Nov. 14, 2006.*

flashdrive_box_1.pdf—http://www.ericbeare.com/public/Theme19/Large_Window.asp?page=1&ProductID=A%2D0579, http://www.ericbeare.com/public/Theme19/Large_Window.asp?page=2&ProductID=A%2D0579, http://www.ericbeare.com/public/Theme19/Large_Window.asp?page=3&ProductID=A%2D0579, 11 November 2006.*

Gear Live_Home.pdf—<http://www.gearlive.com/index.php/news/category/USB/>, Dec. 13, 2006 inWarehouse 08-664 46 00.pdf—<http://www.inwarehouse.se/Product.aspx?prd=868402>, Jan. 30, 2007.*

Web page “Mega Cache 15” http://www.msi.com.tw/program/products/ia/ia/pro_ia_detail.php?UID=559, 3 sheets, Micro-Star Int'l Co., Ltd. (May 2006).

Web page “MICROVAULT” <http://www.sony.net/Products/Media/Microvault/usd-g.html>, 3 sheets, Sony Corporation (May 2006).

Web page “ADR-SDUL” <http://www.sanwa.co.jp/product/syohin.asp?code=ADR-SDUL>, 6 sheets, Sanwa Supply (Jan. 2006).

Web page “USB-HUB204BL” <http://www.sanwa.co.jp/products/syohin.asp?code=USB-HUB204BL&cate=1>, 11 sheets, Sanwa Supply (Jan. 2006).

Web page “USB-HUB16SV” <http://www.sanwa.co.jp/products/syohin.asp?code=USB-HUB16SV&cate=1>, 8 sheets, Sanwa Supply (Jan. 2006).

Web page “USB-HUB18SV” <http://www.sanwa.co.jp/product/syohin.asp?code=USB-HUB18SV>, 5 sheets, Sanwa Supply (Jan. 2006).

Web page “HDD-01” http://www.yacya.com/ebusiness/en/product_detail.asp?catalogid=2&productid=47, 2 sheets, YACYA Corporation Limited (Mar. 2006).

Web page “1 Inch HDD Box” http://www.alibaba.com/catalog/11324107/1_Inch_HDD_Box/showing.html, 2 sheets, Alibaba.com Corp. (Mar. 2006).

Web page “HDD Pen Drive” http://xuezhijou.enalibaba.com/product/50099065/50441025/USB_Storage/1_HDD_Pen_/deive/s..., 2 sheets, Alibaba.com Corp. (Mar. 2006).

Web page “2.2GB USB Mini Hard Disks” http://zhuoerte.en.alibaba.com/prodct/50119330/50543449/USB_Flash_Disks/2.2GB_USB_Mini_H..., 2 sheets, Alibaba.com Corp. (Mar. 2006).

Web page “1” Portable HDD—2.2, 4.0, 6.0 GB http://www.alibaba.com/catalog/11319552/1_Portable_HDD_2_2_4_0_6_0_GB.html, 2 sheets, Alibaba.com Corp. (Mar. 2006).

Web page “CW-H8024” <http://www.c-wave.c-wave.com.hk/hdd.html>, 3 sheets, C-Wave Technology (Mar. 2006).

Press Rease “Sony Electronics News & Information/Sony Launches Designs for Micro Vault Lineup at CES” 4 pages, Sony Electronics Inc. (Jan. 2006).

* cited by examiner

Fig.1

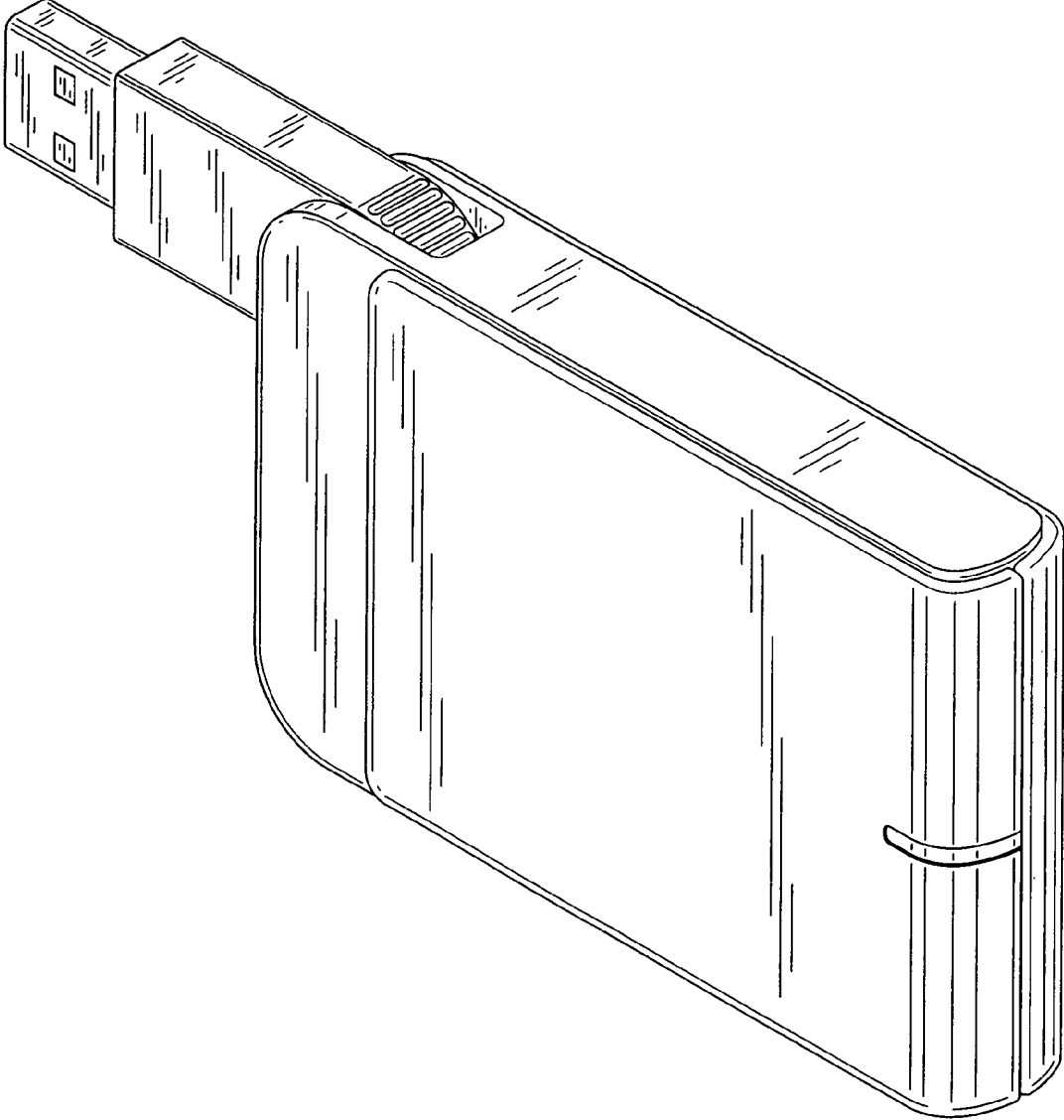


Fig.2

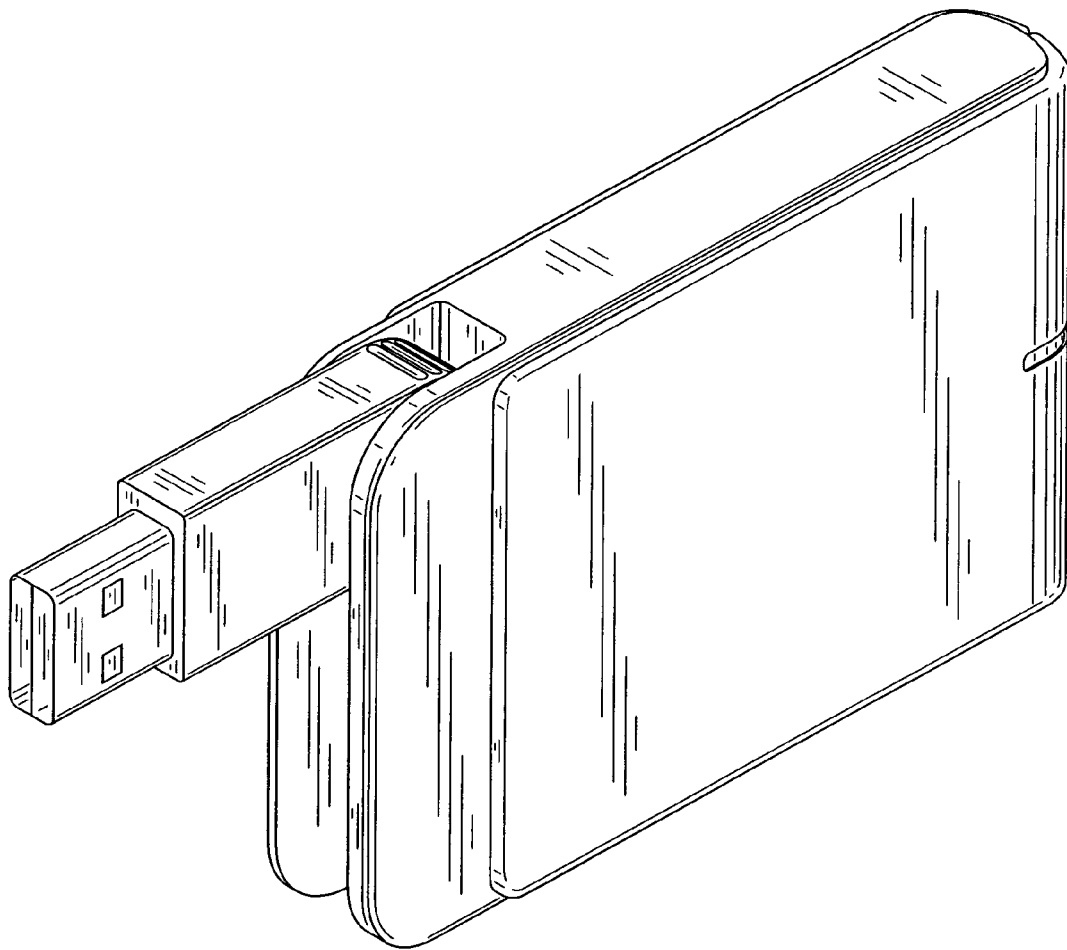


Fig.3

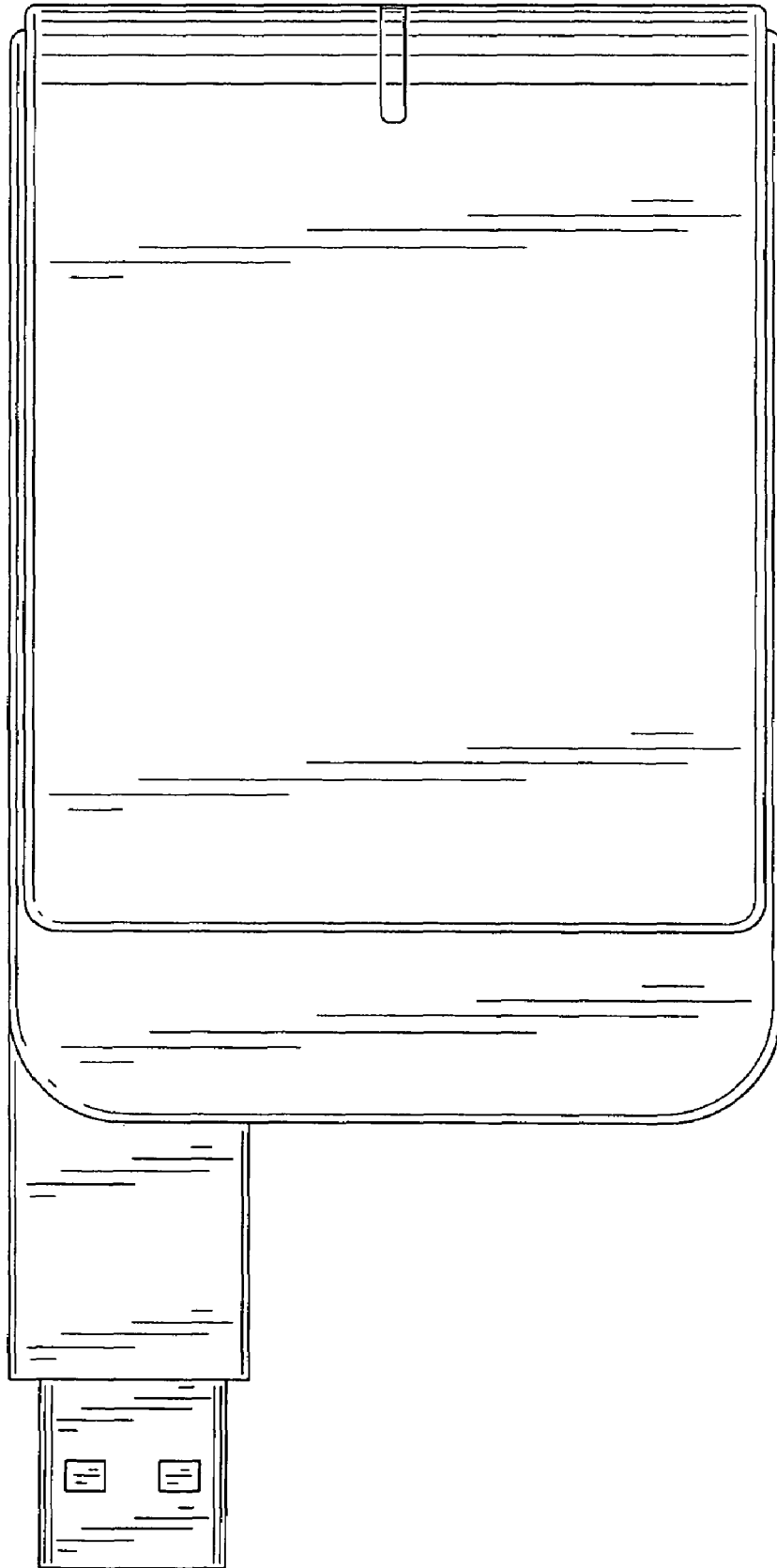


Fig.4

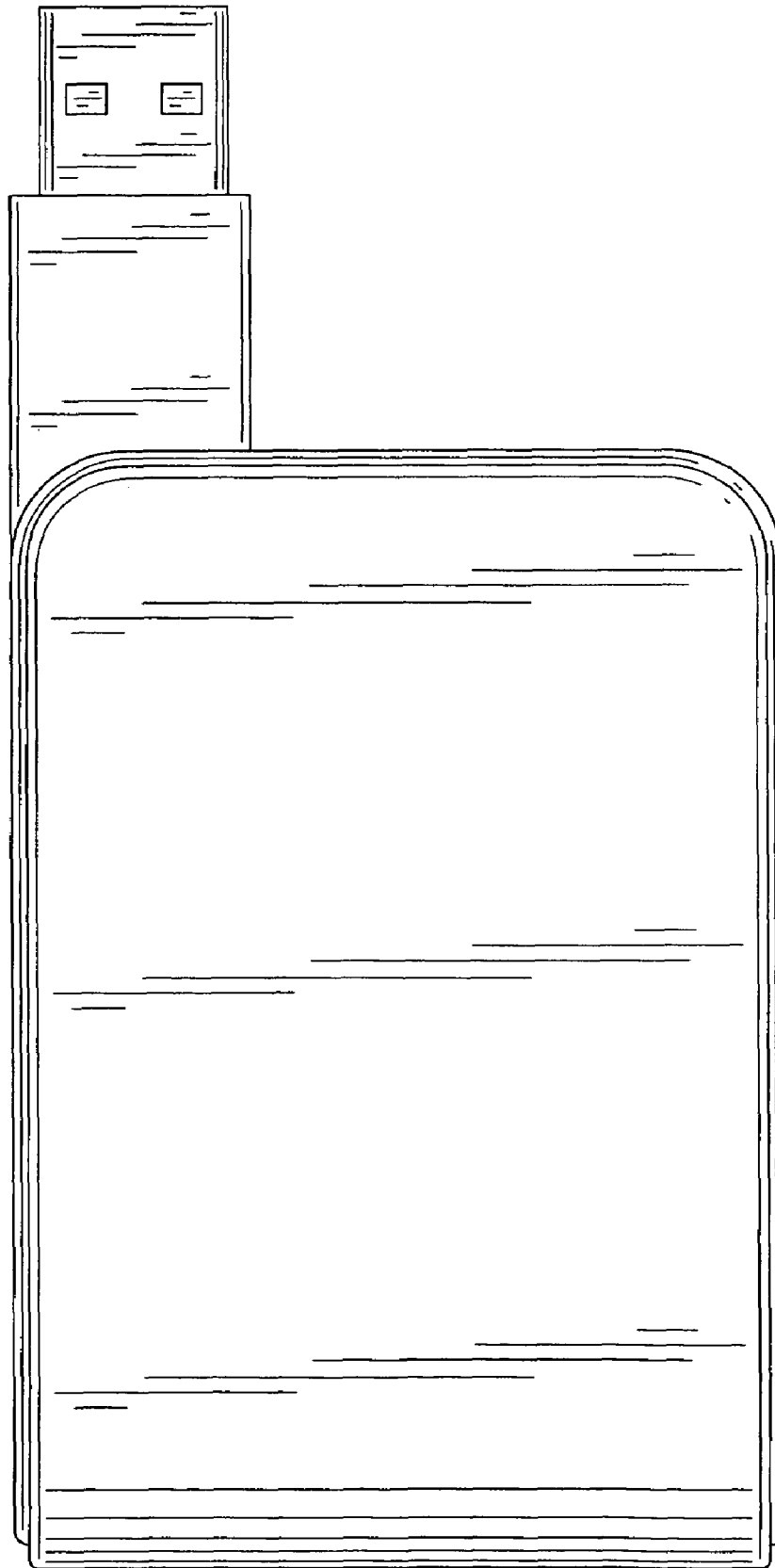


Fig. 5

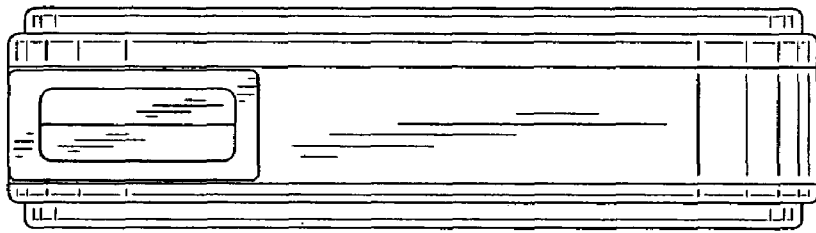


Fig. 6

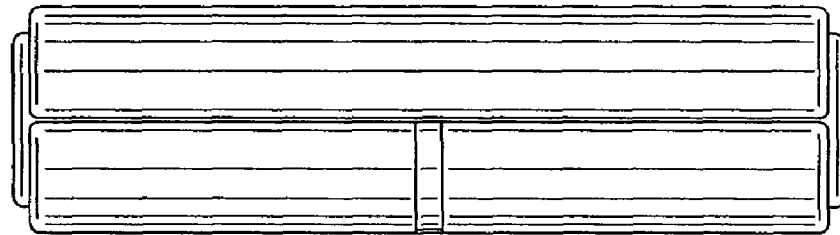


Fig. 7

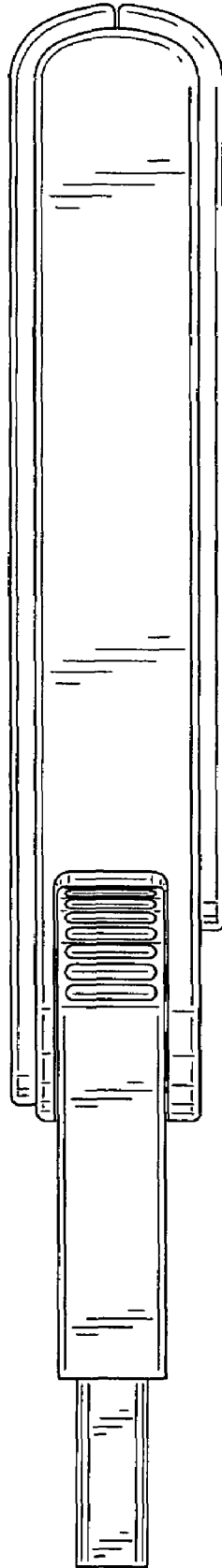


Fig. 8

