



US00D814581S

(12) **United States Design Patent**
Norcross

(10) **Patent No.:** **US D814,581 S**
(45) **Date of Patent:** **** Apr. 3, 2018**

(54) **SPORT BALL HOLDER**
(71) Applicant: **Janet L. Norcross**, Frederick, MD (US)
(72) Inventor: **Janet L. Norcross**, Frederick, MD (US)
(**) Term: **15 Years**
(21) Appl. No.: **29/584,483**
(22) Filed: **Nov. 15, 2016**
(51) **LOC (11) Cl.** **21-02**
(52) **U.S. Cl.**
USPC **D21/715**; D11/164; D8/374; D30/129
(58) **Field of Classification Search**
USPC D21/698, 699, 705, 707-709, 713-718,
D21/722, 780, 787-789, 791, 799.1, 804;
D8/350, 352, 374; D30/129; D11/131,
D11/164
CPC ... A63B 37/00; A63B 37/0022; A63B 37/001;
A63B 37/0011; A63B 37/12; A63B
37/14; A63B 39/00; A63B 39/06; A63B
41/00; A63B 43/00; A63B 43/008; A63B
43/02; A63B 43/06; A63B 47/00; A63B
57/20; A63B 59/20; A63B 63/00; A63B
2063/001; A63B 67/10; A63B 2069/0008;
A63B 69/002; A63B 69/345; A63B
69/34; A63B 69/201; A63B 69/205; A63B
71/14; A63B 71/143; A63B 71/145; A65B
69/00
See application file for complete search history.

1,636,655 A * 7/1927 Young A63B 57/10
473/387
1,861,095 A * 5/1932 Schacht A47B 91/12
16/42 R
D110,902 S * 8/1938 Loesch 220/630
D130,805 S * 12/1941 Roberts D21/715
2,483,166 A 1/1944 Amberg
2,665,571 A 8/1950 Lockheed
D167,602 S * 9/1952 Auer D8/374
D167,603 S * 9/1952 Auer D8/374
D167,876 S * 9/1952 Auer D8/374
D169,410 S * 4/1953 Auer D8/374
2,784,577 A 3/1957 Beaham

(Continued)

OTHER PUBLICATIONS

www.mystaybowl.com, website pages, Jan. 26, 2016.
Primary Examiner — Michael A. Pratt
Assistant Examiner — Wendy Arminio
(74) *Attorney, Agent, or Firm* — Leveque IP Law, P.C.

(57) **CLAIM**

The ornamental design for a sport ball holder, as shown and described.

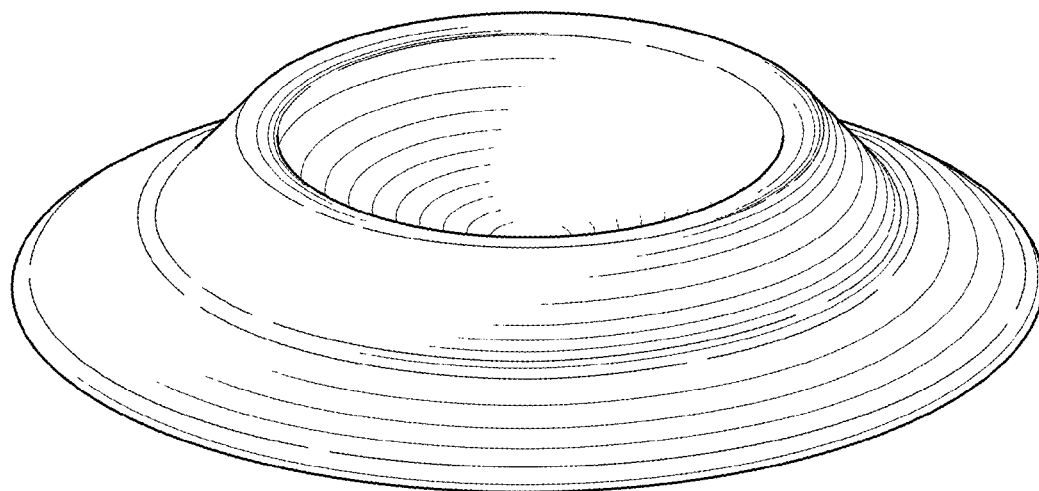
DESCRIPTION

FIG. 1 is a top perspective view of a sport ball holder;
FIG. 2 is a top view thereof;
FIG. 3 is a bottom view thereof;
FIG. 4 is a front view thereof;
FIG. 5 is a cross-sectional view thereof taken in the direction of line 5-5 in FIG. 2; and,
FIG. 6 is a top perspective view of the sport ball holder of FIG. 1 shown in a position of use with an unclaimed ball drawn in broken line placed into the sport ball holder.
The broken lines in FIG. 6 illustrating a ball depict environment and form no part of the claimed design. The left side view, right side view, and rear view are omitted because they are identical to the front view shown in FIG. 4.

1 Claim, 3 Drawing Sheets

(56) **References Cited**
U.S. PATENT DOCUMENTS

D33,398 S * 10/1900 Herrick 473/387
D38,718 S * 8/1907 Barron D30/129
D44,996 S * 12/1913 Buser D8/374
1,152,649 A * 9/1915 Luellen A63B 57/10
473/388
1,564,212 A * 12/1925 Decker A63B 57/10
473/390



US D814,581 S

(56)

References Cited

U.S. PATENT DOCUMENTS

2,867,940	A *	1/1959	Pitton	A47K 5/03 220/606	6,596,374	B1 *	7/2003	Adjeleian	B60N 3/103 206/490
3,968,875	A	7/1976	Koehnle		D590,551	S *	4/2009	Sperbeck	D30/129
4,214,684	A	7/1980	Galowitz		7,726,621	B1	6/2010	Dellinger	
4,253,630	A	3/1981	Rigg		D623,798	S *	9/2010	Huynh	D2/886
4,296,874	A	10/1981	Evans		7,806,259	B2	10/2010	Gregory et al.	
D262,932	S *	2/1982	Daenen	D7/392.1	D649,442	S *	11/2011	Gardner	D8/374
4,726,553	A *	2/1988	Wischusen, III ..	A47G 23/0216 215/393	8,087,528	B1	1/2012	Scarlett et al.	
4,732,274	A	3/1988	Bouton		D656,997	S *	4/2012	Levin	D21/398
D334,880	S *	4/1993	Davey	D30/129	8,157,090	B2	4/2012	Ingvarsdn et al.	
5,217,196	A	6/1993	Morell		D660,136	S *	5/2012	Jarowenko	D8/374
D339,392	S *	9/1993	Sims	D21/715	8,251,340	B2	8/2012	Webb et al.	
D357,170	S	4/1995	Wellsfry		D670,451	S	11/2012	Able	
D370,868	S *	6/1996	Phelps	D11/131	D714,126	S	9/2014	Pyon et al.	
D403,031	S	12/1998	Stousland et al.		8,998,158	B2	4/2015	St. Jacques	
5,979,361	A	11/1999	Willinger		D733,263	S *	6/2015	Fujii	D23/262
6,158,593	A	12/2000	Olsen		2002/0084201	A1	7/2002	Murray	
6,238,260	B1	5/2001	Spindell		2003/0183543	A1	10/2003	Sheffield et al.	
6,405,869	B1	6/2002	Whittemore et al.		2004/0235626	A1	11/2004	Acher	
6,484,989	B1	11/2002	Connery		2005/0040309	A1	2/2005	Paine	
D476,705	S	7/2003	Dillard		2005/0150795	A1	7/2005	Kershaw	
					2006/0063621	A1	3/2006	Bell et al.	
					2008/0265108	A1	10/2008	Felici	
					2011/0237412	A1	9/2011	Signorile et al.	
					2012/0024731	A1	2/2012	Fitchett	
					2014/0252193	A1	9/2014	Creech et al.	

* cited by examiner

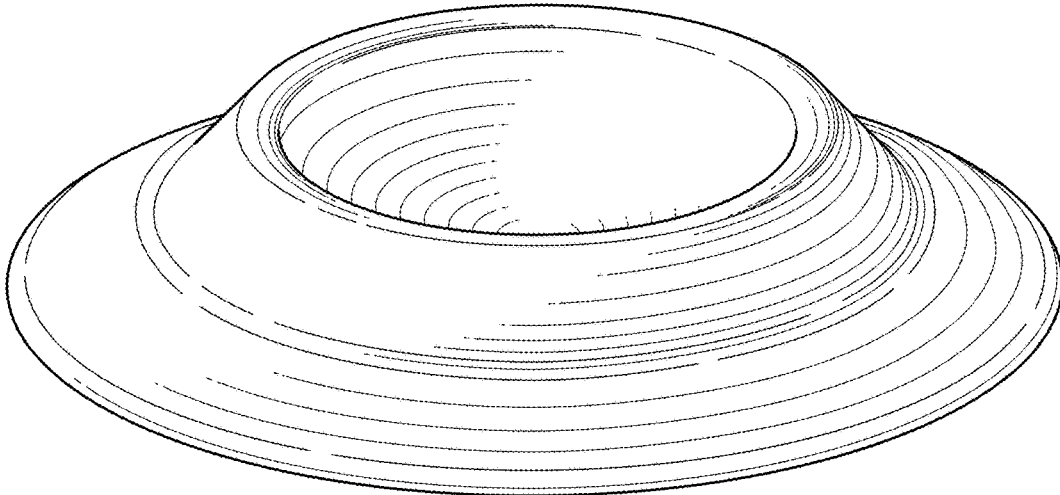


FIG. 1

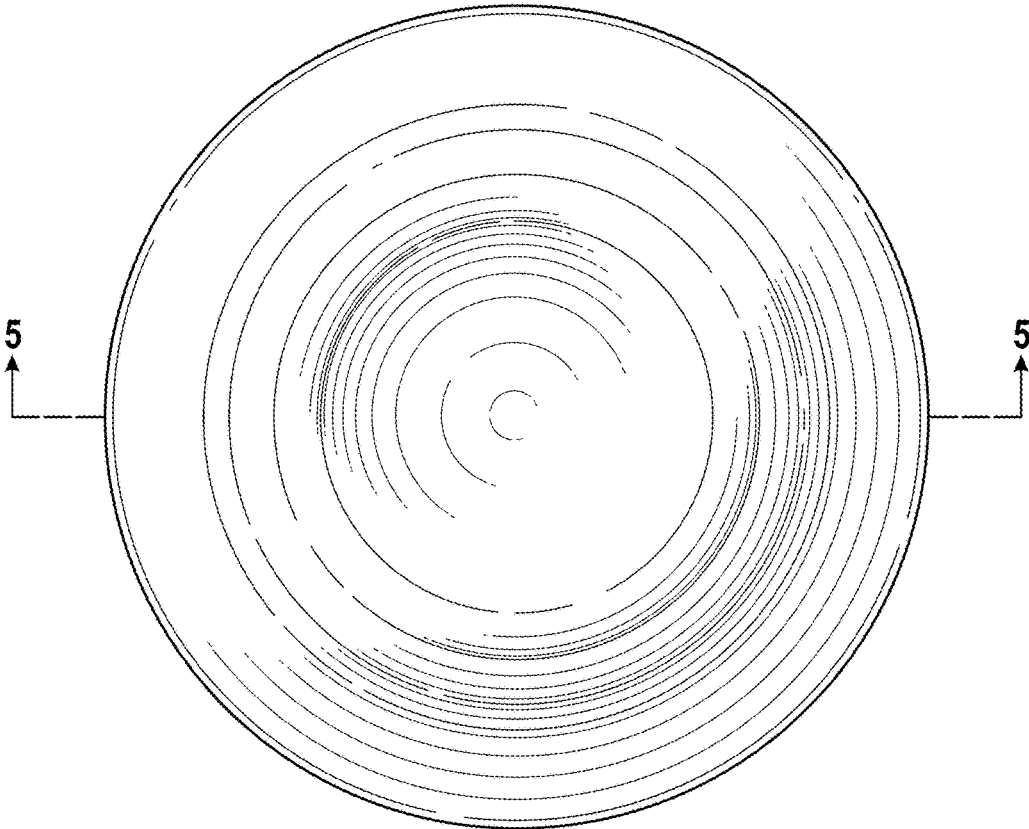


FIG. 2

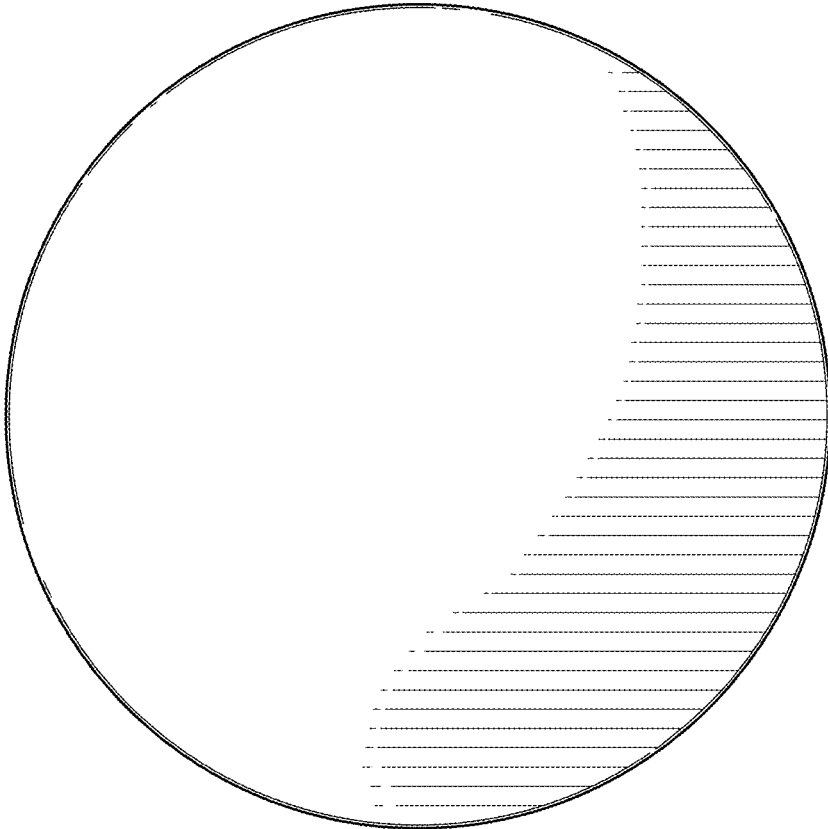


FIG. 3

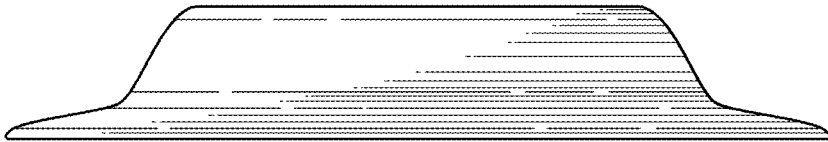


FIG. 4

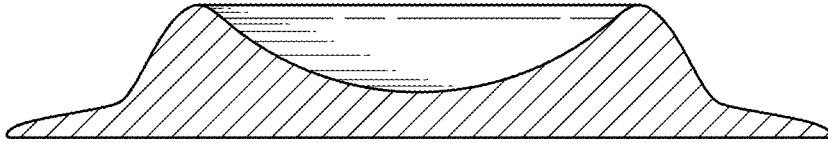


FIG. 5

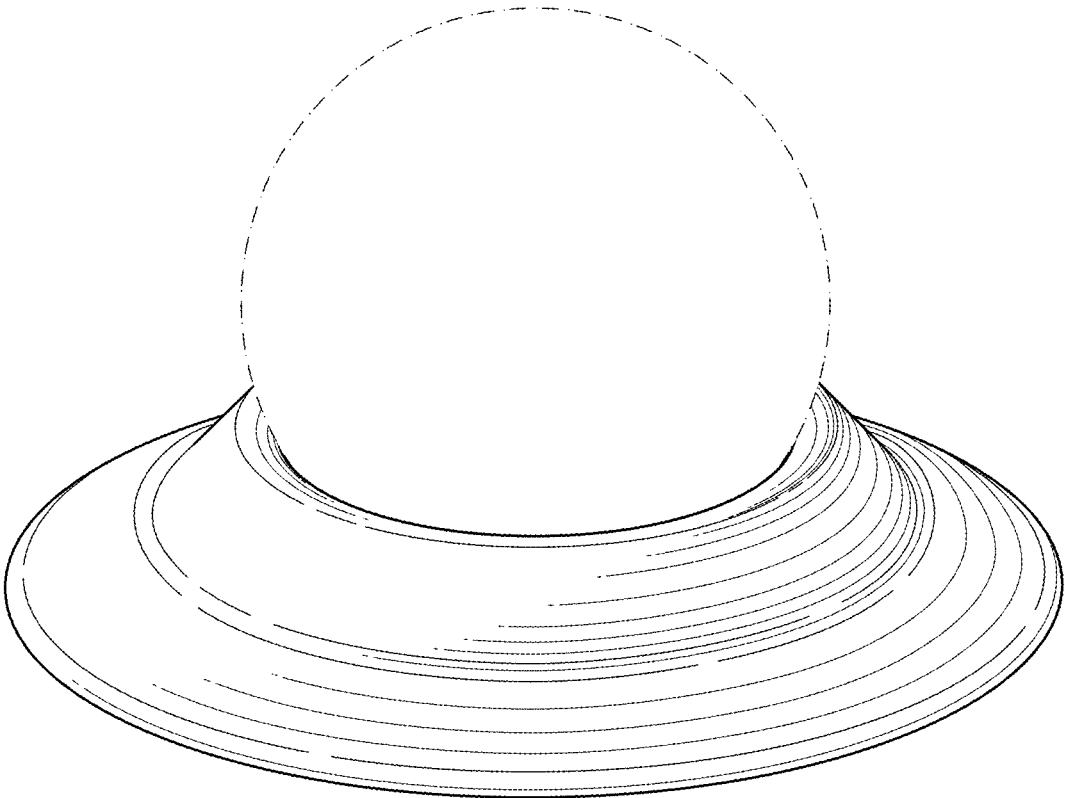


FIG. 6