



US00D697650S

(12) **United States Design Patent**
Maxik et al.

(10) **Patent No.:** **US D697,650 S**

(45) **Date of Patent:** **** Jan. 14, 2014**

(54) **DIRECTIONAL DOWNLIGHT**

(75) Inventors: **Fredric S. Maxik**, Indialantic, FL (US);
David E. Bartine, Cocoa, FL (US);
Addy S. Widjaja, Palm Bay, FL (US);
Mark Andrew Oostdyk, Cape
Canaveral, FL (US)

(73) Assignee: **Lighting Science Group Corporation**,
Satellite Beach, FL (US)

(**) Term: **14 Years**

(21) Appl. No.: **29/420,196**

(22) Filed: **May 6, 2012**

(51) **LOC (10) Cl.** **26-03**

(52) **U.S. Cl.**

USPC **D26/63; D26/74**

(58) **Field of Classification Search**

USPC D26/24, 72, 74, 80, 81, 83, 85, 88, 61,
D26/63; 362/576, 89, 145, 147, 148, 150,
362/151, 152, 153, 153.1, 294, 296.01,
362/311.02, 311.07, 364, 365, 366, 373

See application file for complete search history.

(56) **References Cited**

U.S. PATENT DOCUMENTS

D386,805 S * 11/1997 Bonnette et al. D26/74
D474,299 S * 5/2003 Lecluze D26/74
D482,484 S * 11/2003 Benghozi D26/85
D544,128 S * 6/2007 Carro D26/74
D607,600 S * 1/2010 Keith D26/85
D636,105 S * 4/2011 Gielen D26/63

D639,993 S * 6/2011 Mier-Langner et al. D26/74
D658,327 S * 4/2012 Meise et al. D26/74
D664,698 S * 7/2012 Meise et al. D26/74

* cited by examiner

Primary Examiner — Brian N Vinson

(74) *Attorney, Agent, or Firm* — Mark R. Malek; Zies
Widerman & Malek

(57) **CLAIM**

The ornamental design of a directional downlight, as shown
and described.

DESCRIPTION

FIG. 1 is a perspective view of a directional downlight accord-
ing to the present invention in a closed position.

FIG. 2 is a side elevation view of the directional downlight
illustrated in FIG. 1.

FIG. 3 is a bottom plan view of the directional downlight
illustrated in FIG. 1.

FIG. 4 is a top plan view of the directional downlight illus-
trated in FIG. 1.

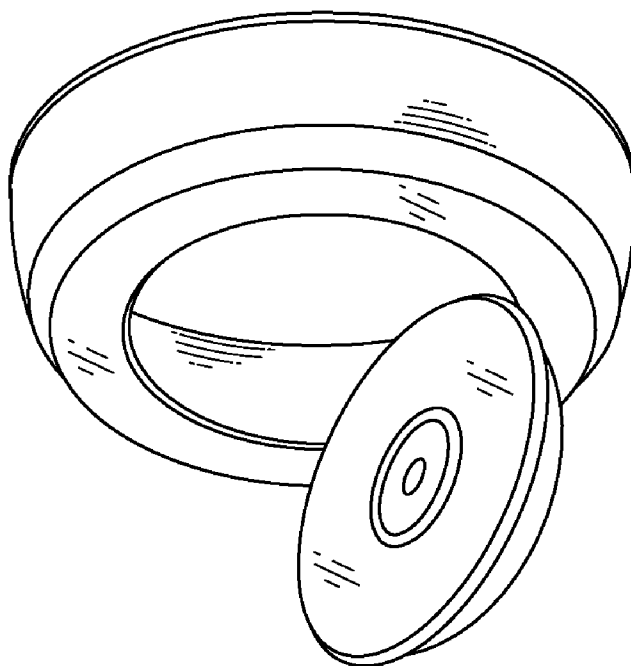
FIG. 5 is a perspective view of the directional downlight
illustrated in FIG. 1 positioned in an open position.

FIG. 6 is a side perspective and elevation view of the direc-
tional downlight illustrated in FIG. 5.

FIG. 7 is a bottom plan view of the directional downlight
illustrated in FIG. 5; and,

FIG. 8 is an exploded perspective view of directional down-
light illustrated in FIG. 1.

1 Claim, 4 Drawing Sheets



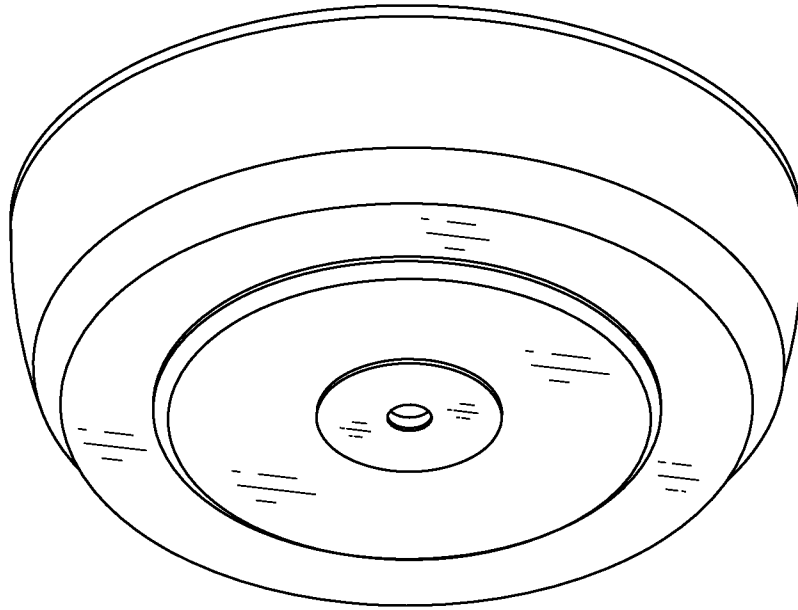


Fig. 1

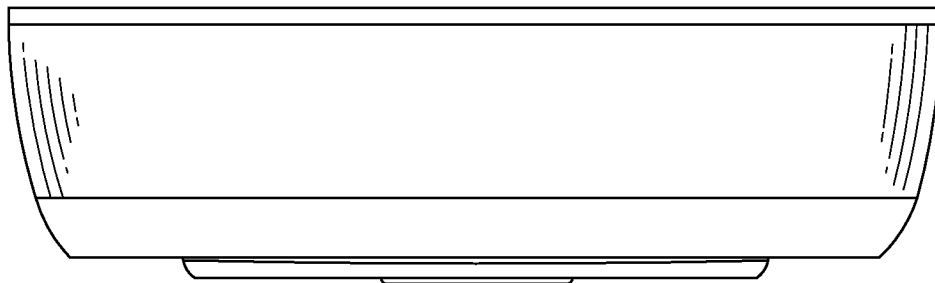


Fig. 2

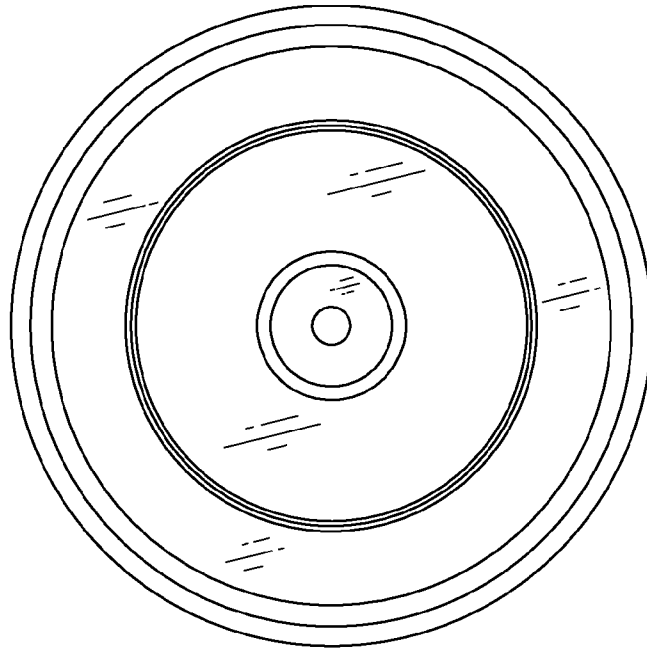


Fig. 3

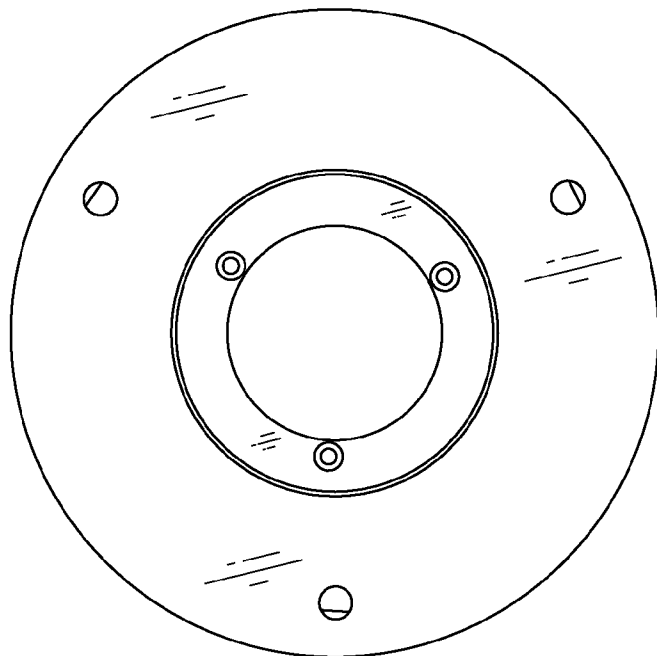


Fig. 4

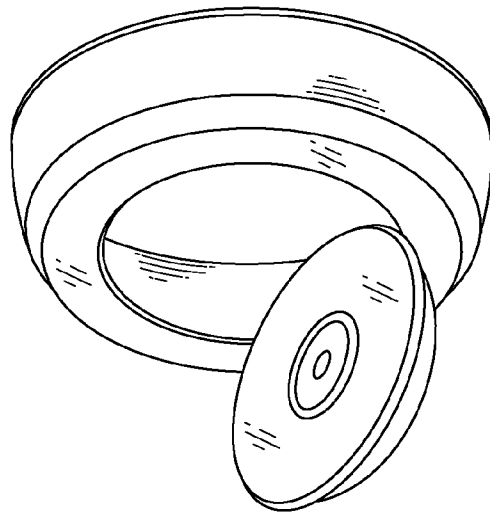


Fig. 5

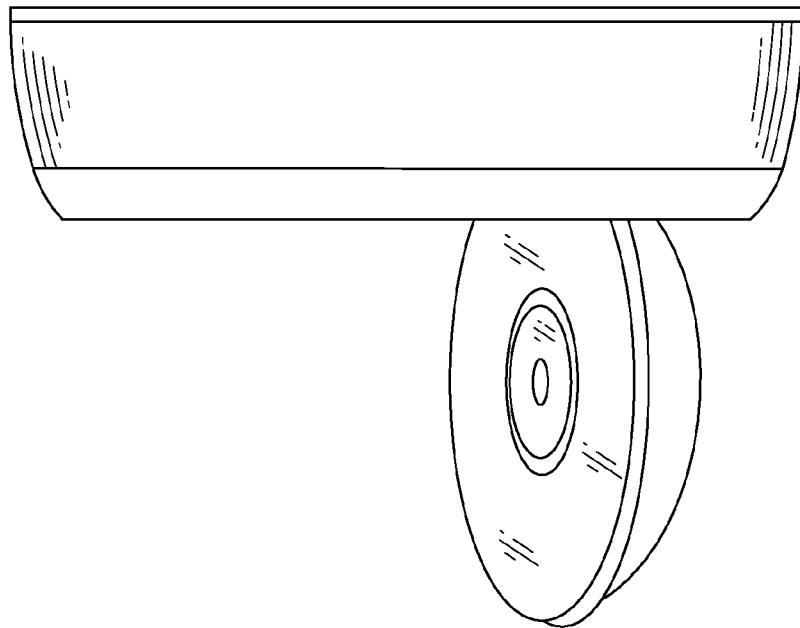


Fig. 6

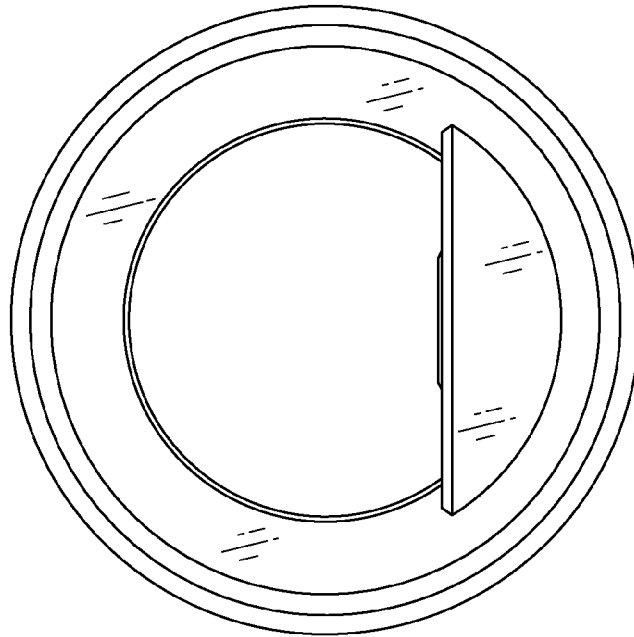


Fig. 7

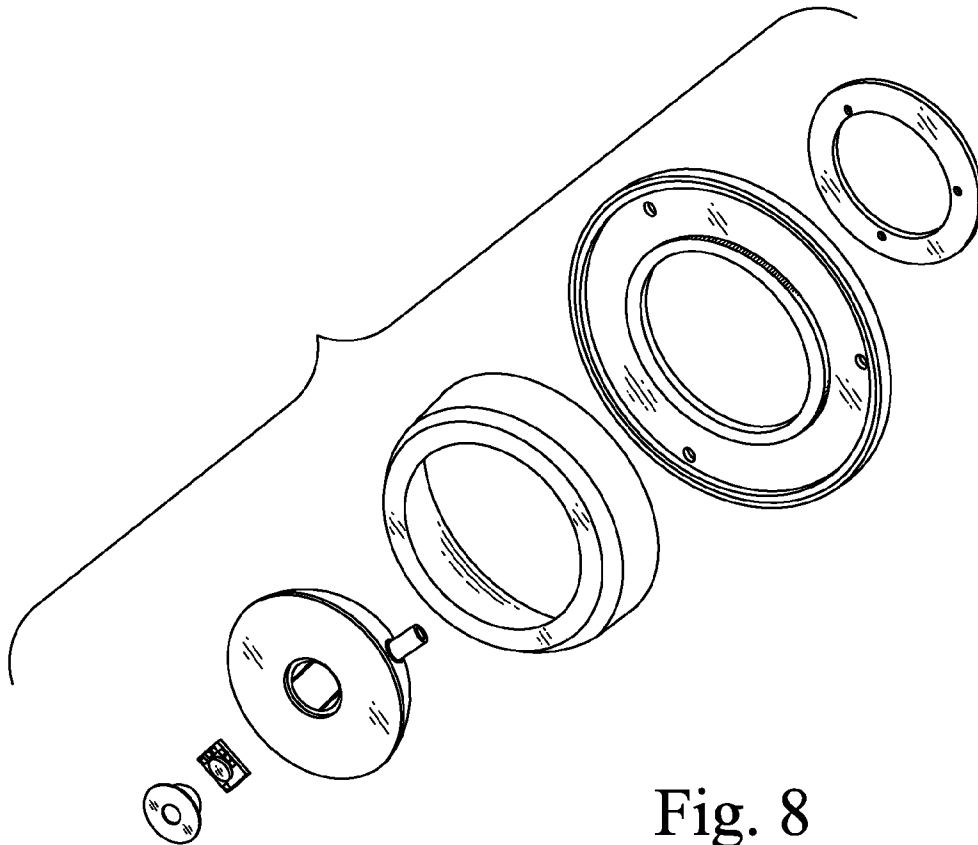


Fig. 8