

(19) World Intellectual Property Organization  
International Bureau



(43) International Publication Date  
13 March 2008 (13.03.2008)

PCT

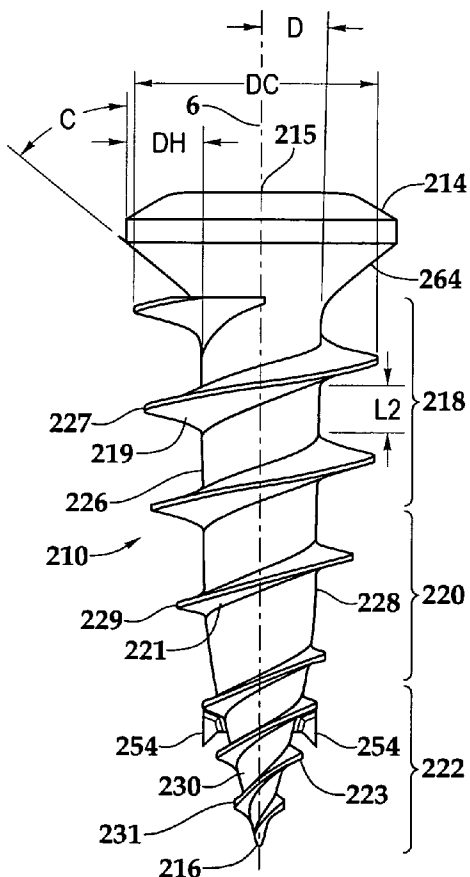
(10) International Publication Number  
**WO 2008/030507 A3**

- (51) International Patent Classification:  
*F16B 25/00* (2006.01)    *F16B 33/02* (2006.01)
- (21) International Application Number:  
PCT/US2007/019419
- (22) International Filing Date:  
6 September 2007 (06.09.2007)
- (25) Filing Language: English
- (26) Publication Language: English
- (30) Priority Data:  
60/842,478    6 September 2006 (06.09.2006)    US
- (71) Applicant (for all designated States except US): **ILLINOIS TOOL WORKS INC.** [US/US]; 3600 West Lake Avenue, Glenview, IL 60026 (US).
- (72) Inventors; and
- (75) Inventors/Applicants (for US only): **ERNST, Richard, J.** [US/US]; 5593 Havenridge Way, San Diego, CA 92130 (US). **GRIMM, John, P.** [US/US]; 11550 Canyon Park Drive, Santee, CA 92071 (US).

- (74) Agents: **SOLTIS, Lisa, M.** et al.; Group Technology Counsel, Illinois Tool Works Inc., 3600 West Lake Avenue, Glenview, IL 60026 (US).
- (81) Designated States (unless otherwise indicated, for every kind of national protection available): AE, AG, AL, AM, AT, AU, AZ, BA, BB, BG, BH, BR, BW, BY, BZ, CA, CH, CN, CO, CR, CU, CZ, DE, DK, DM, DO, DZ, EC, EE, EG, ES, FI, GB, GD, GE, GH, GM, GT, HN, HR, HU, ID, IL, IN, IS, JP, KE, KG, KM, KN, KP, KR, KZ, LA, LC, LK, LR, LS, LT, LU, LY, MA, MD, ME, MG, MK, MN, MW, MX, MY, MZ, NA, NG, NI, NO, NZ, OM, PG, PH, PL, PT, RO, RS, RU, SC, SD, SE, SG, SK, SL, SM, SV, SY, TJ, TM, TN, TR, TT, TZ, UA, UG, US, UZ, VC, VN, ZA, ZM, ZW.
- (84) Designated States (unless otherwise indicated, for every kind of regional protection available): ARIPO (BW, GH, GM, KE, LS, MW, MZ, NA, SD, SL, SZ, TZ, UG, ZM, ZW), Eurasian (AM, AZ, BY, KG, KZ, MD, RU, TJ, TM), European (AT, BE, BG, CH, CY, CZ, DE, DK, EE, ES, FI, FR, GB, GR, HU, IE, IS, IT, LT, LU, LV, MC, MT, NL, PL,

[Continued on next page]

(54) Title: DRYWALL FASTENER



(57) Abstract: A self drilling fastener (210) for use in a friable material with or without an underlying support member at the point of use comprises an elongated body (212) having an axis (6), a threaded exterior having a root, an enlarged head (214) having torque transmitting surfaces (215) therein, a proximal portion (218), an intermediate portion (220), a distal portion (222), and a drilling tip (216) generally opposite the enlarged head (214). The proximal portion (218) has an axial length and a threaded exterior (219) having a root (226), a crest diameter, and a thread height. The intermediate portion (220) has an axial length and a threaded exterior (221) having a root (228), a crest diameter (MC) substantially smaller than the crest diameter (DC) of the proximal portion (218), and a thread height (MH) substantially smaller than the thread height (DH) of the proximal portion (218). The distal portion (222) has an axial length and a threaded exterior (223) with a root (230) that tapers toward the drilling tip (216), a crest diameter (TC) substantially smaller than the crest diameter (DC) of the proximal portion (218), and a thread height (TH) substantially smaller than the thread height (DH) of the proximal portion (218).

WO 2008/030507 A3



PT, RO, SE, SI, SK, TR), OAPI (BF, BJ, CF, CG, CI, CM,  
GA, GN, GQ, GW, ML, MR, NE, SN, TD, TG).

— *before the expiration of the time limit for amending the  
claims and to be republished in the event of receipt of  
amendments*

**Published:**

— *with international search report*

**(88) Date of publication of the international search report:**

4 December 2008

## INTERNATIONAL SEARCH REPORT

International application No

PCT/US2007/019419

A. CLASSIFICATION OF SUBJECT MATTER  
 INV. F16B25/00 F16B33/02

According to International Patent Classification (IPC) or to both national classification and IPC

## B. FIELDS SEARCHED

Minimum documentation searched (classification system followed by classification symbols)  
 F16B

Documentation searched other than minimum documentation to the extent that such documents are included in the fields searched

Electronic data base consulted during the international search (name of data base and, where practical, search terms used)

EPO-Internal, PAJ, WPI Data

## C. DOCUMENTS CONSIDERED TO BE RELEVANT

Category*	Citation of document, with indication, where appropriate, of the relevant passages	Relevant to claim No.
X	WO 2005/038275 A (ILLINOIS TOOL WORKS [US]) 28 April 2005 (2005-04-28) paragraph [0013] - paragraph [0014] paragraph [0024] paragraph [0034] paragraph [0069] - paragraph [0071] paragraph [0086]; figures 1-4	1-10
X	US 5 991 998 A (KANEKO YOSHIHIRO [JP]) 30 November 1999 (1999-11-30) column 1, line 11 - line 13; figures	1,2,6,7
X	DE 295 09 487 U1 (UPAT MAX LANGENSIEPEN KG [DE]) 24 August 1995 (1995-08-24) claim 1; figures 1,2,4	1,6,7
	-/--	

Further documents are listed in the continuation of Box C.

See patent family annex.

\* Special categories of cited documents :

- \*A\* document defining the general state of the art which is not considered to be of particular relevance
- \*E\* earlier document but published on or after the international filing date
- \*L\* document which may throw doubts on priority claim(s) or which is cited to establish the publication date of another citation or other special reason (as specified)
- \*O\* document referring to an oral disclosure, use, exhibition or other means
- \*P\* document published prior to the international filing date but later than the priority date claimed

- \*T\* later document published after the international filing date or priority date and not in conflict with the application but cited to understand the principle or theory underlying the invention
- \*X\* document of particular relevance; the claimed invention cannot be considered novel or cannot be considered to involve an inventive step when the document is taken alone
- \*Y\* document of particular relevance; the claimed invention cannot be considered to involve an inventive step when the document is combined with one or more other such documents, such combination being obvious to a person skilled in the art.
- \* & \* document member of the same patent family

Date of the actual completion of the international search

15 October 2008

Date of mailing of the international search report

23/10/2008

Name and mailing address of the ISA/

European Patent Office, P.B. 5818 Patentlaan 2  
 NL - 2280 HV Rijswijk  
 Tel. (+31-70) 340-2040,  
 Fax: (+31-70) 340-3016

Authorized officer

Martin, Christophe

## INTERNATIONAL SEARCH REPORT

International application No

PCT/US2007/019419

C(Continuation). DOCUMENTS CONSIDERED TO BE RELEVANT

Category*	Citation of document, with indication, where appropriate, of the relevant passages	Relevant to claim No.
A	US 2006/018730 A1 (ERNST RICHARD J [US]) 26 January 2006 (2006-01-26) claims 1-6; figures -----	1, 3-5, 10
A	EP 0 400 535 A (SFS STADLER HOLDING AG [CH] SFS IND HOLDING AG [CH]) 5 December 1990 (1990-12-05) figure 12 -----	1

# INTERNATIONAL SEARCH REPORT

Information on patent family members

International application No

PCT/US2007/019419

Patent document cited in search report	Publication date	Patent family member(s)	Publication date	
WO 2005038275	A	28-04-2005	AU 2004282503 A1	28-04-2005
			CA 2541433 A1	28-04-2005
			EP 1676035 A1	05-07-2006
			JP 2007527487 T	27-09-2007
			MX PA06003995 A	05-07-2006
US 5991998	A	30-11-1999	NONE	
DE 29509487	U1	24-08-1995	NONE	
US 2006018730	A1	26-01-2006	US 2006024144 A1	02-02-2006
EP 0400535	A	05-12-1990	AT 392130 B	25-01-1991
			AT 108247 T	15-07-1994
			DE 59006342 D1	11-08-1994
			NO 902349 A	30-11-1990