



(12) **United States Design Patent**
Meyer et al.

(10) **Patent No.:** **US D833,485 S**
(45) **Date of Patent:** **** Nov. 13, 2018**

(54) **POWERHEAD**

(71) Applicant: **Briggs & Stratton Corporation**,
Wauwatosa, WI (US)

(72) Inventors: **Michael Meyer**, Wauwatosa, WI (US);
Christy L. Matuszewski, Oak Creek,
WI (US); **Jim Nommensen**, Oak Creek,
WI (US)

(73) Assignee: **Briggs & Stratton Corporation**,
Wauwatosa, WI (US)

(**) Term: **15 Years**

(21) Appl. No.: **29/595,884**

(22) Filed: **Mar. 2, 2017**

(51) **LOC (11) Cl.** **15-03**

(52) **U.S. Cl.**
USPC **D15/17; D15/14**

(58) **Field of Classification Search**
USPC **D15/10, 14-18; D32/21, 23-24, 31**
(Continued)

(56) **References Cited**

U.S. PATENT DOCUMENTS

D260,394 S * 8/1981 Tuggle D15/1
D342,875 S * 1/1994 Franke D15/1
(Continued)

OTHER PUBLICATIONS

https://www.briggsandstratton.com/na/en_us/innovations/push-mowers/82li-series.html (Accessed Mar. 14, 2018).*

Primary Examiner — Michelle E. Wilson

(74) *Attorney, Agent, or Firm* — **Foley & Lardner LLP**

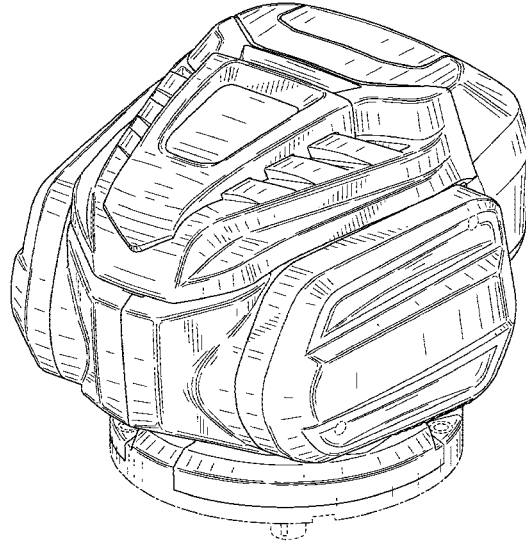
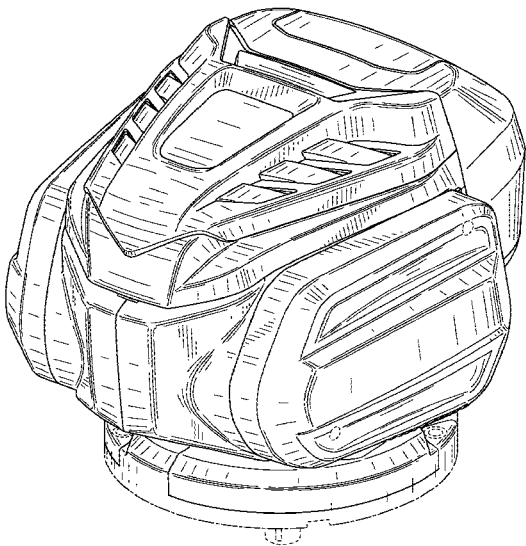
(57) **CLAIM**

We claim the ornamental design for a powerhead, as shown and described.

DESCRIPTION

FIG. 1 is a front-left perspective view from above of the claimed design according to one embodiment; FIG. 2 is a front view of the claimed design of FIG. 1; FIG. 3 is a rear view of the claimed design of FIG. 1; FIG. 4 is a right side view of the claimed design of FIG. 1; FIG. 5 is a left side view of the claimed design of FIG. 1; FIG. 6 is a top view of the claimed design of FIG. 1; FIG. 7 is a bottom view of the claimed design of FIG. 1; FIG. 8 is a front-left perspective view from above of the claimed design according to one embodiment; FIG. 9 is a front view of the claimed design of FIG. 8; FIG. 10 is a rear view of the claimed design of FIG. 8; FIG. 11 is a right side view of the claimed design of FIG. 8; FIG. 12 is a left side view of the claimed design of FIG. 8; FIG. 13 is a top view of the claimed design of FIG. 8; FIG. 14 is a bottom view of the claimed design of FIG. 8; FIG. 15 is a front-left perspective view from above of the claimed design according to one embodiment; FIG. 16 is a front view of the claimed design of FIG. 15; FIG. 17 is a rear view of the claimed design of FIG. 15; FIG. 18 is a right side view of the claimed design of FIG. 15; FIG. 19 is a left side view of the claimed design of FIG. 15; FIG. 20 is a top view of the claimed design of FIG. 15; and, FIG. 21 is a bottom view of the claimed design of FIG. 15. The broken lines showing portions of the powerhead in the drawings form no part of the claimed design. Broken lines formed by equal length dashes show unclaimed portions of the design. Broken lines formed of unequal length dashes (i.e., dash-dot) show boundaries between claimed and unclaimed portions of the design.

1 Claim, 21 Drawing Sheets



(58) **Field of Classification Search**

CPC A01B 33/06; A01D 34/001; A01D 69/00;
 A01D 42/04; A01D 42/00; A01D
 2101/00; A01D 34/63; A01D 43/063
 See application file for complete search history.

(56) **References Cited**

U.S. PATENT DOCUMENTS

D360,718	S *	7/1995	Rakocy	D32/31
D375,963	S *	11/1996	Braun	D15/17
D401,943	S *	12/1998	Prosper	D15/7
D499,425	S *	12/2004	Pirzada	D15/7
D499,433	S *	12/2004	Leasure	D15/9
6,922,981	B1 *	8/2005	Tyree	A01B 33/06 56/12.7
D514,595	S *	2/2006	Chen	D15/9
D521,026	S *	5/2006	Ono	D15/17
D528,562	S *	9/2006	Zuo	D15/1
D596,912	S *	7/2009	Arvidsson	D8/66
D602,316	S *	10/2009	Cerretto	D8/8
7,621,194	B1 *	11/2009	Tyree	A01D 42/00 56/16.7
D653,509	S *	2/2012	Tinius	D8/8

* cited by examiner

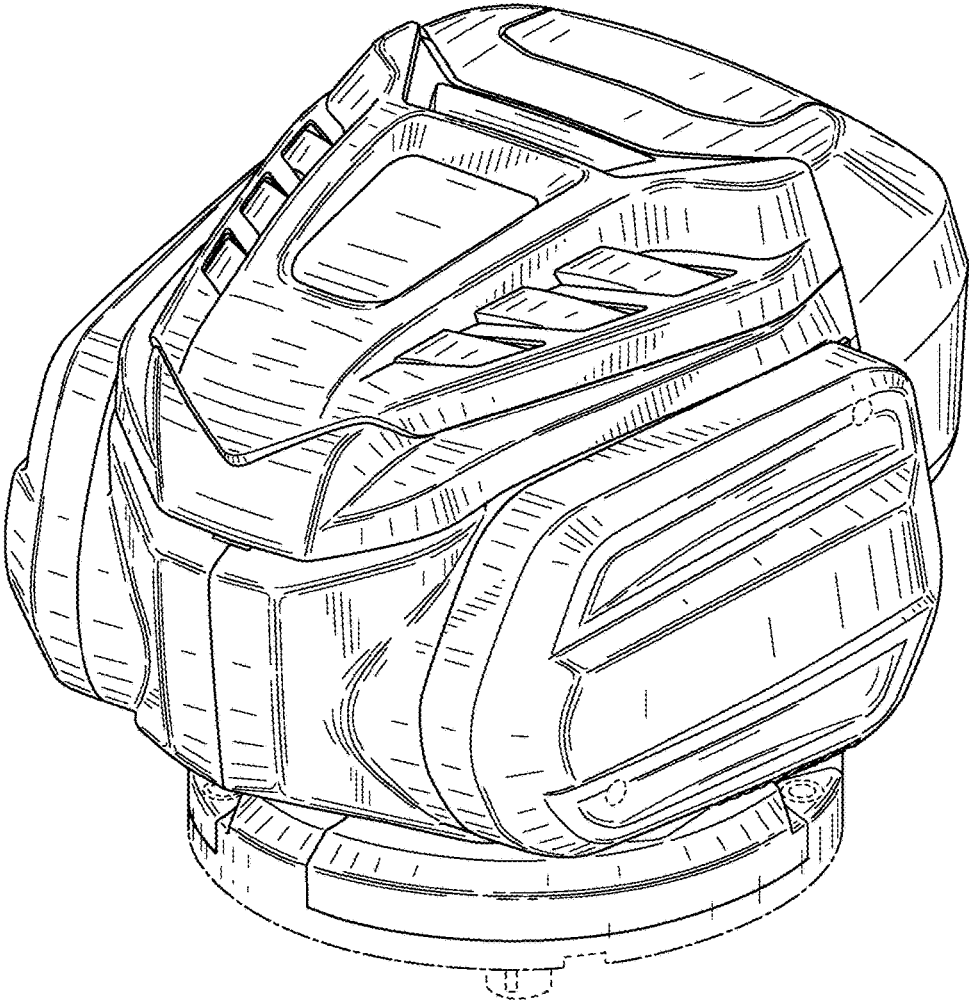


FIG. 1

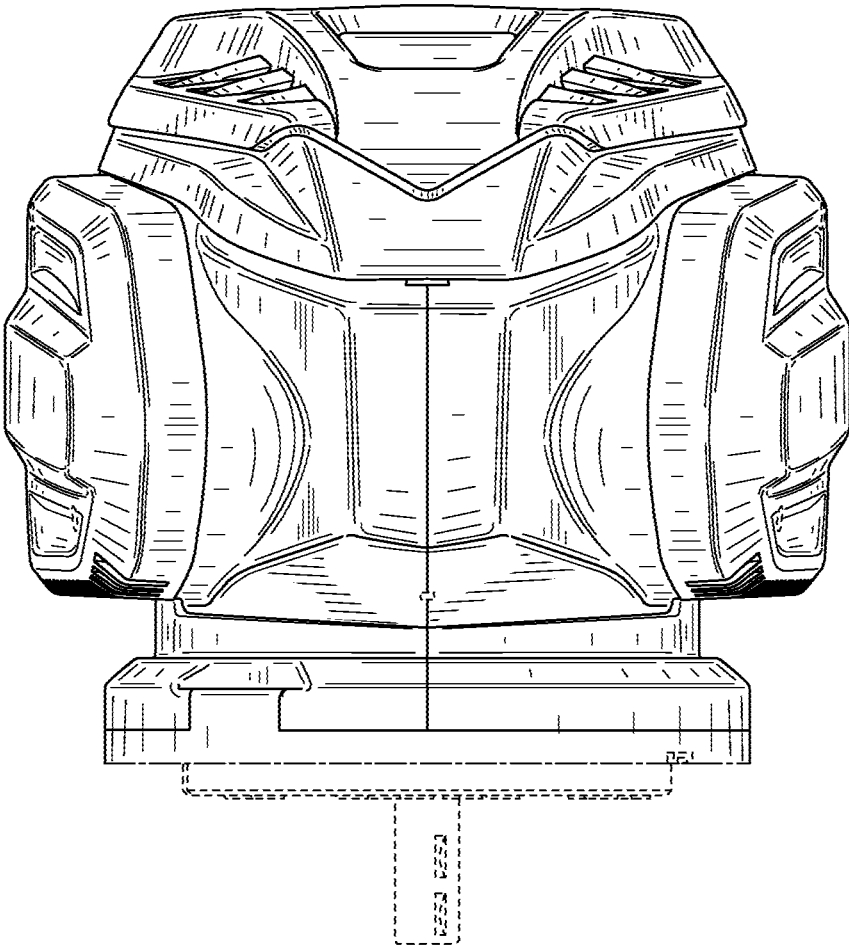


FIG. 2

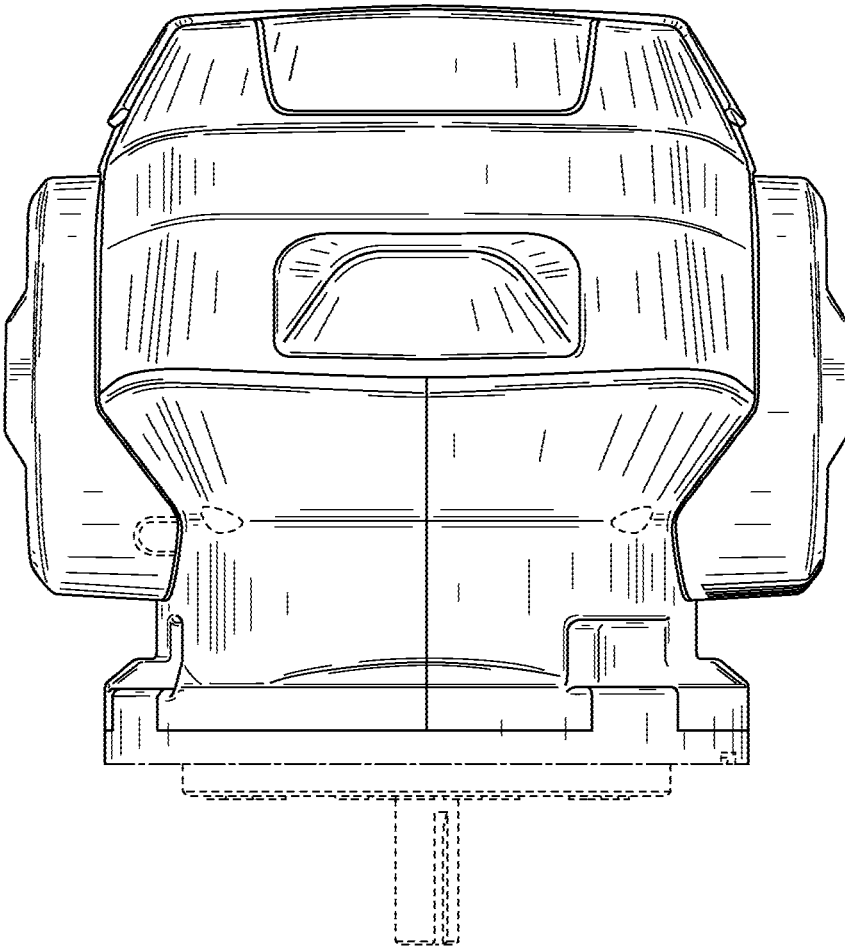


FIG. 3

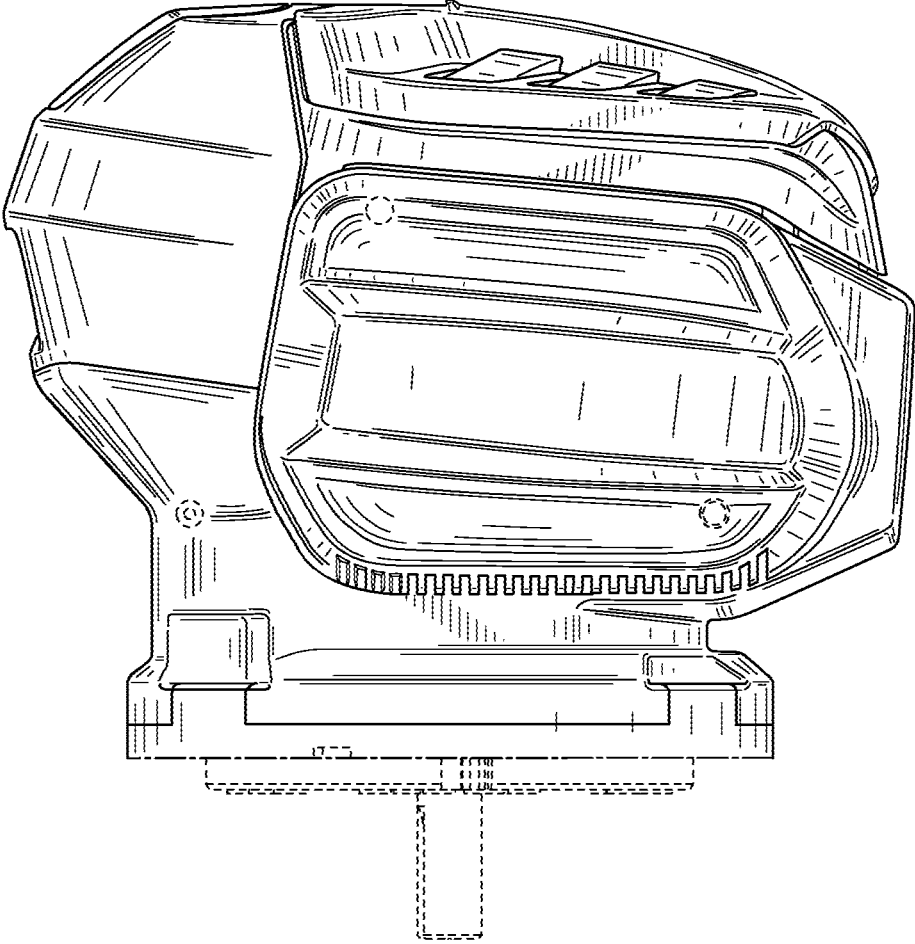


FIG. 4

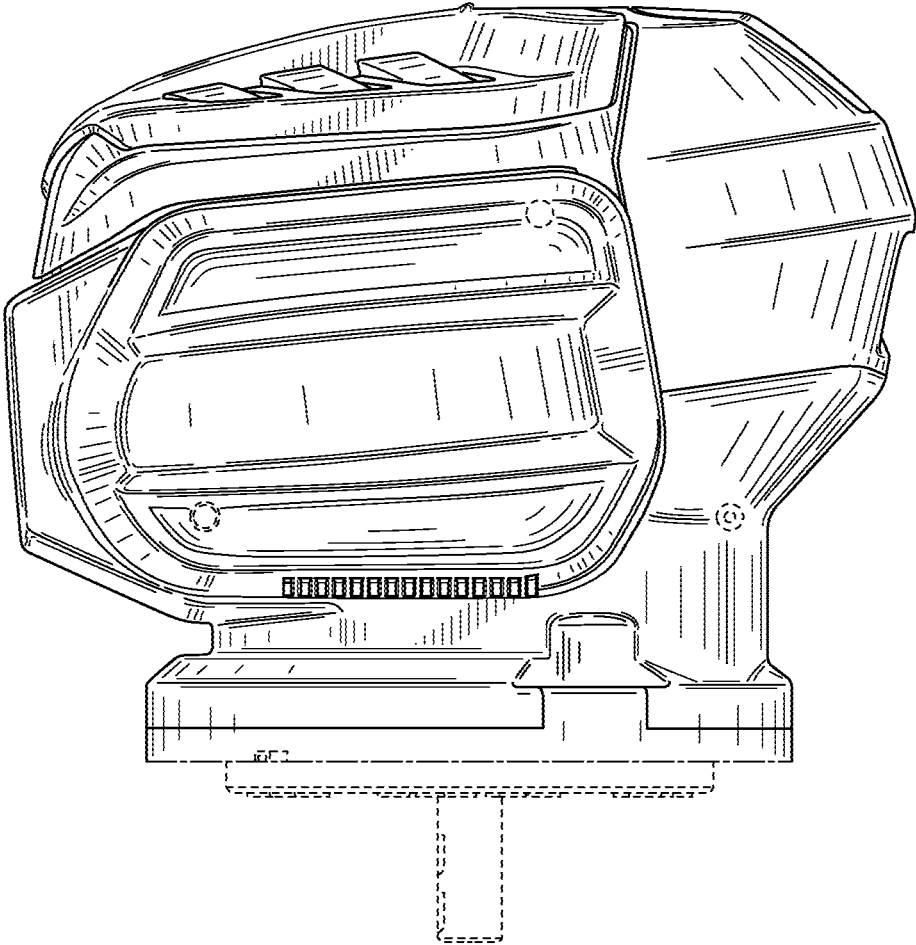


FIG. 5

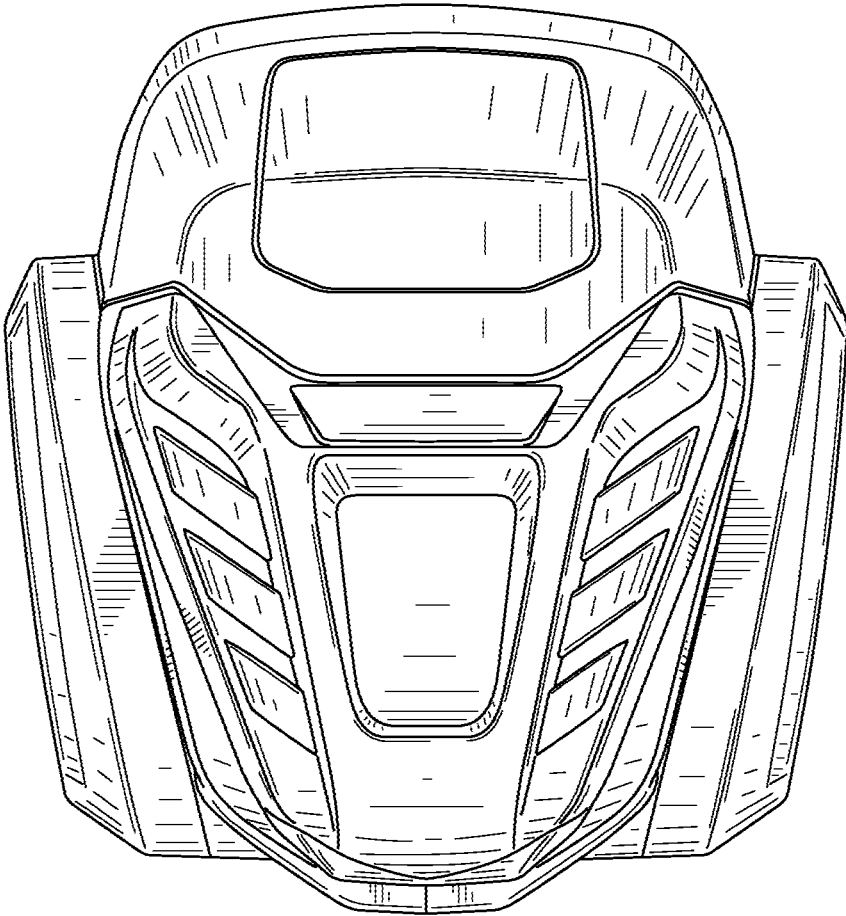


FIG. 6

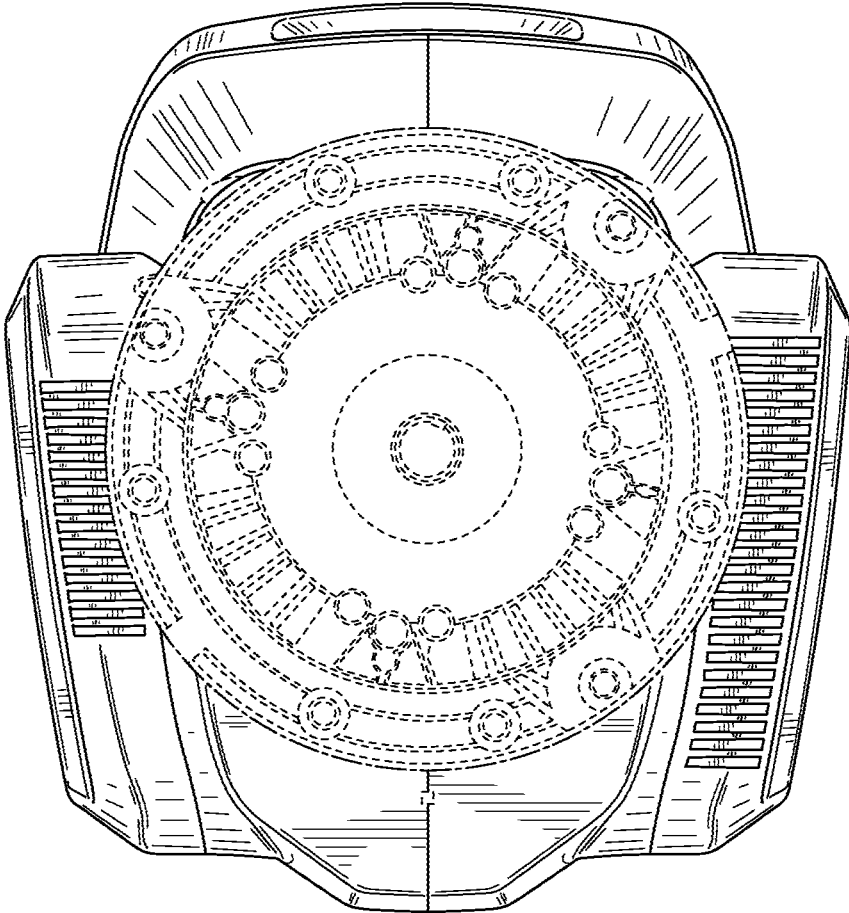


FIG. 7

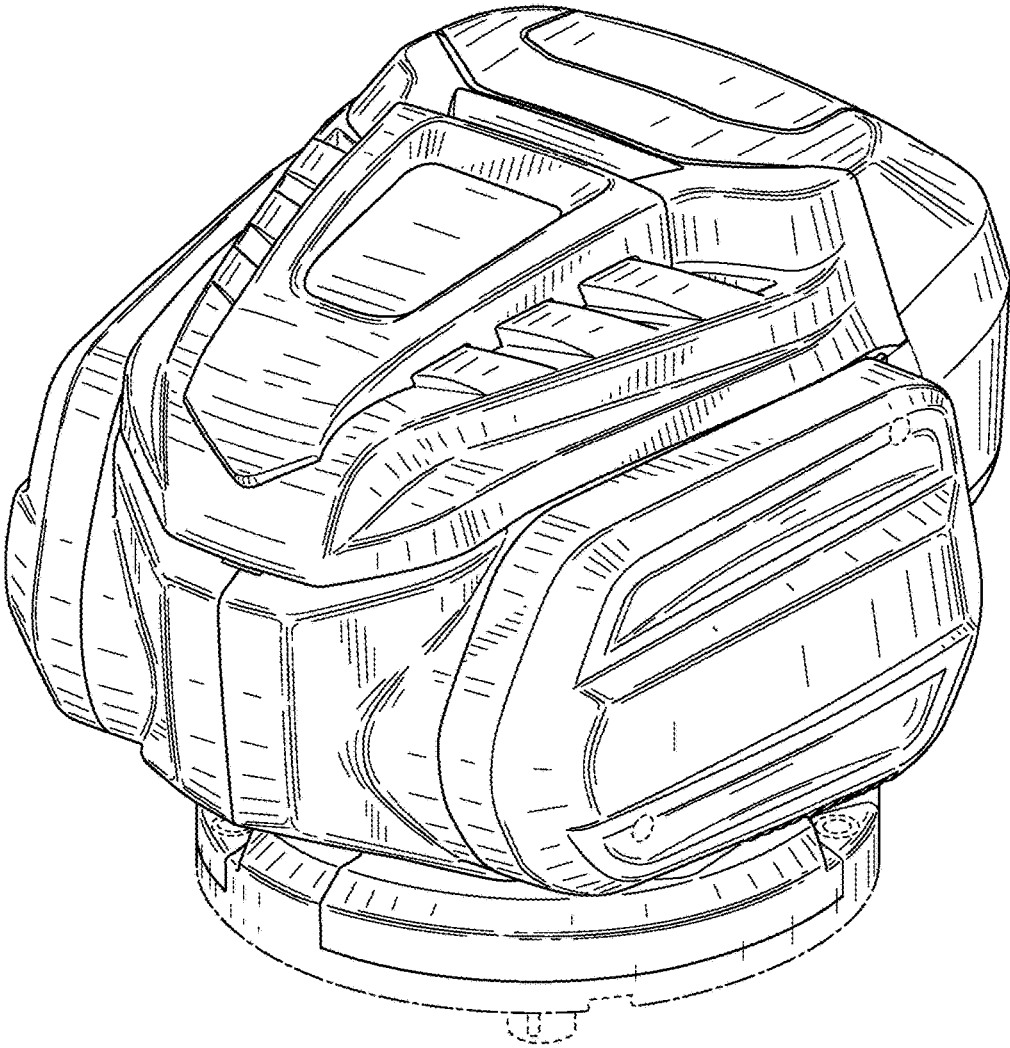


FIG. 8

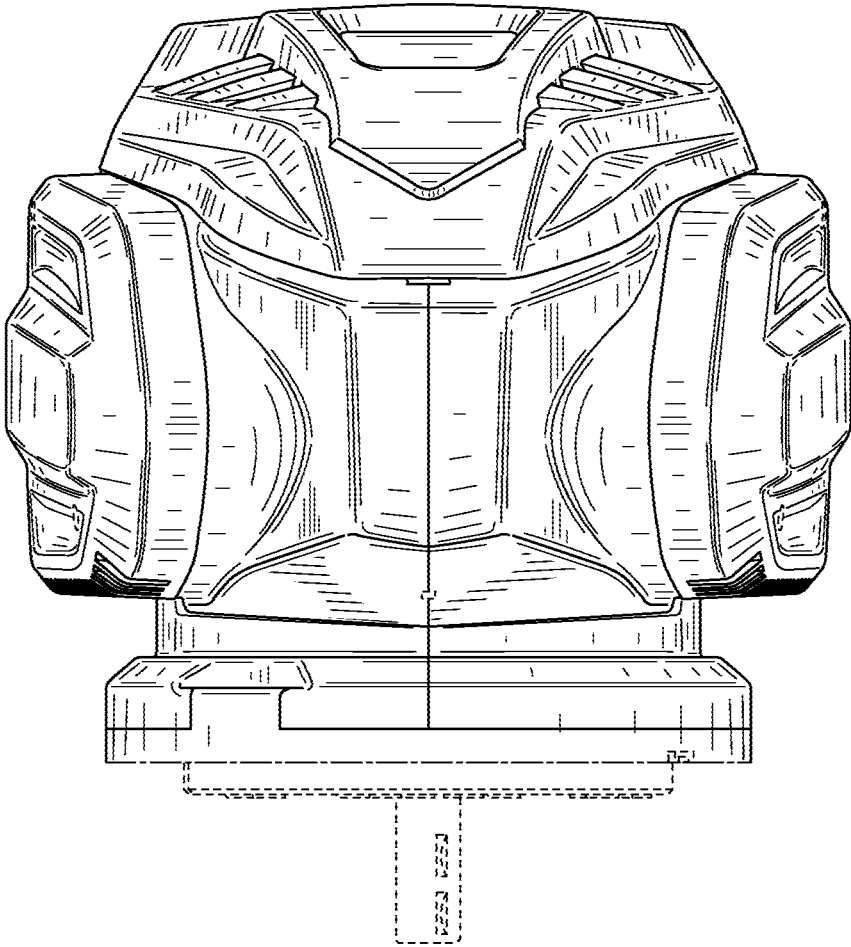


FIG. 9

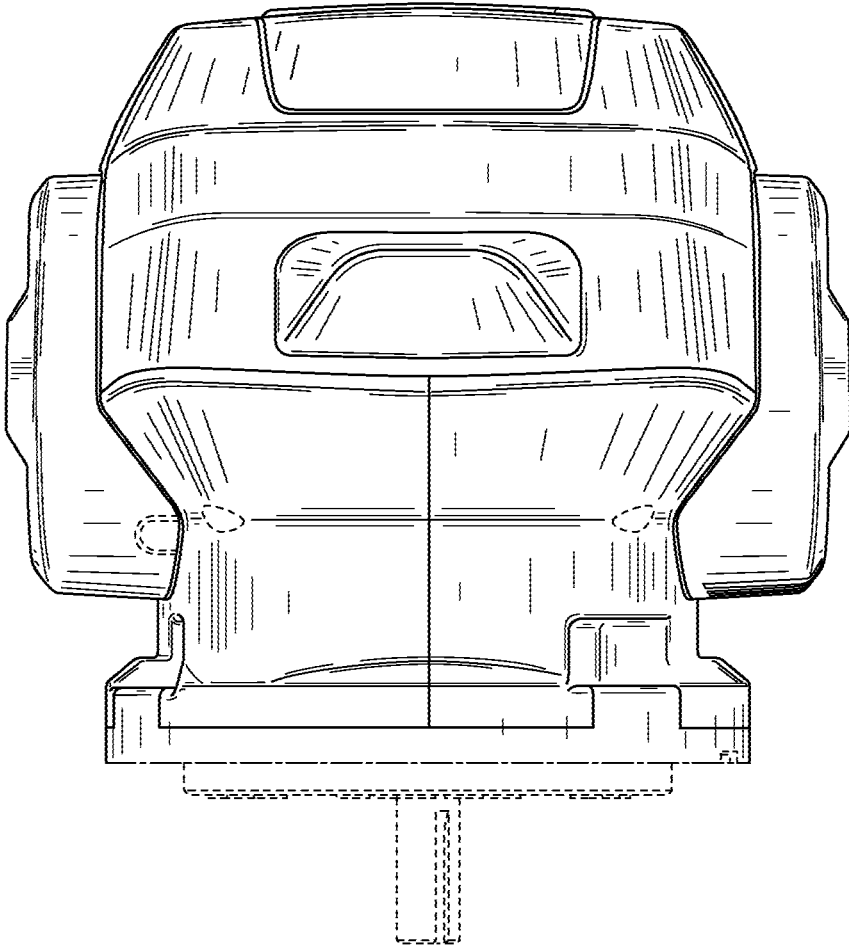


FIG. 10

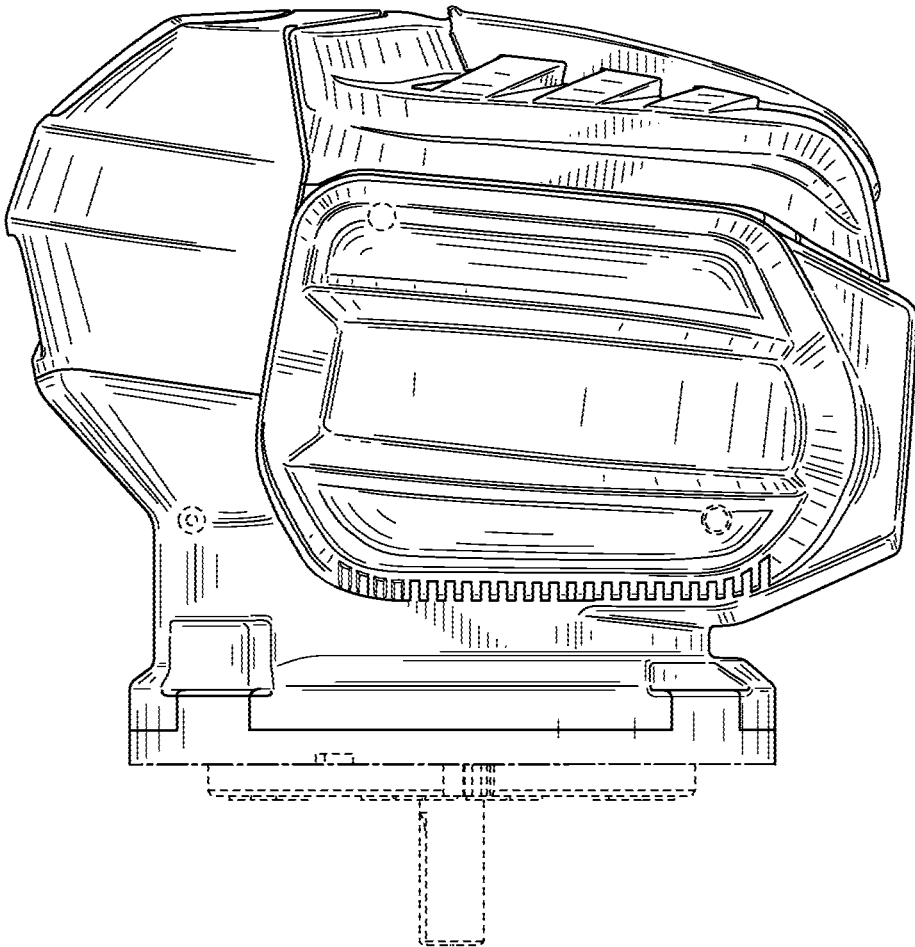


FIG. 11

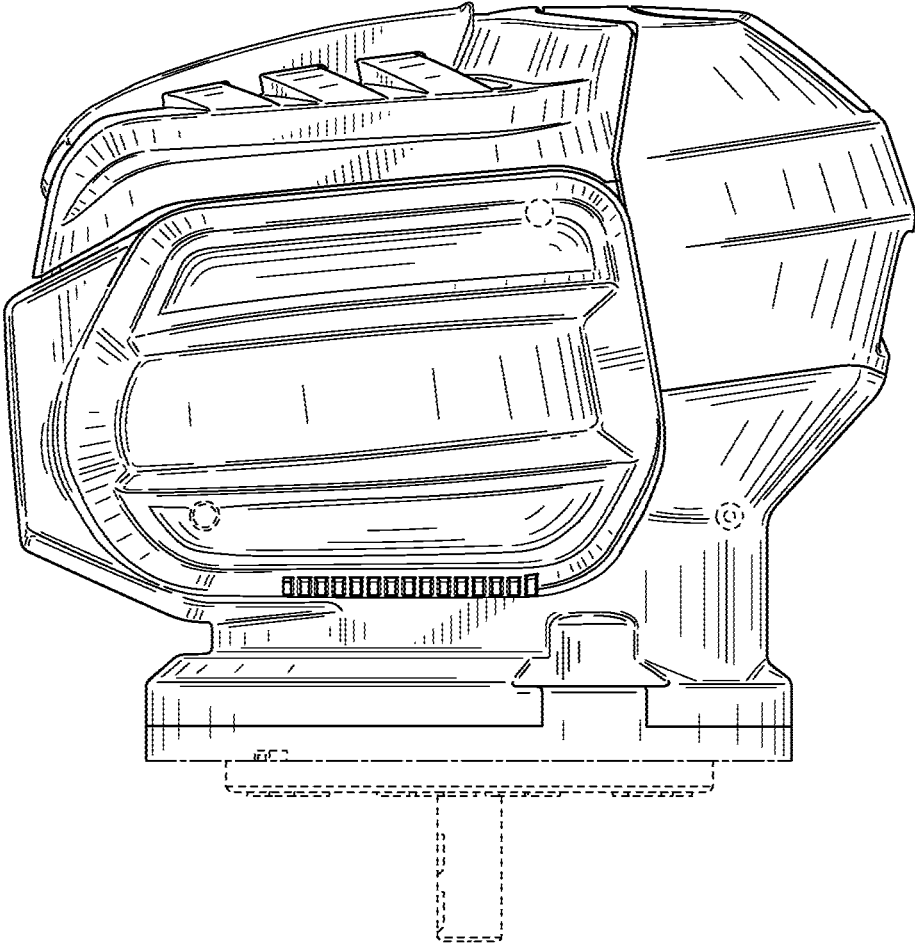


FIG. 12

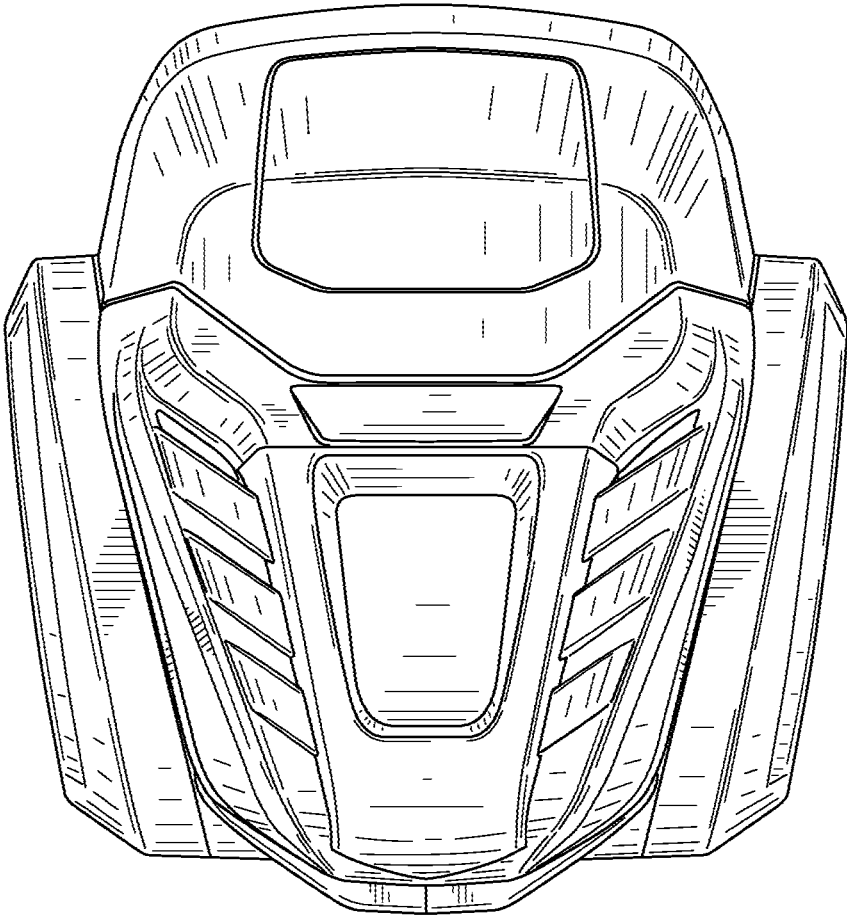


FIG. 13

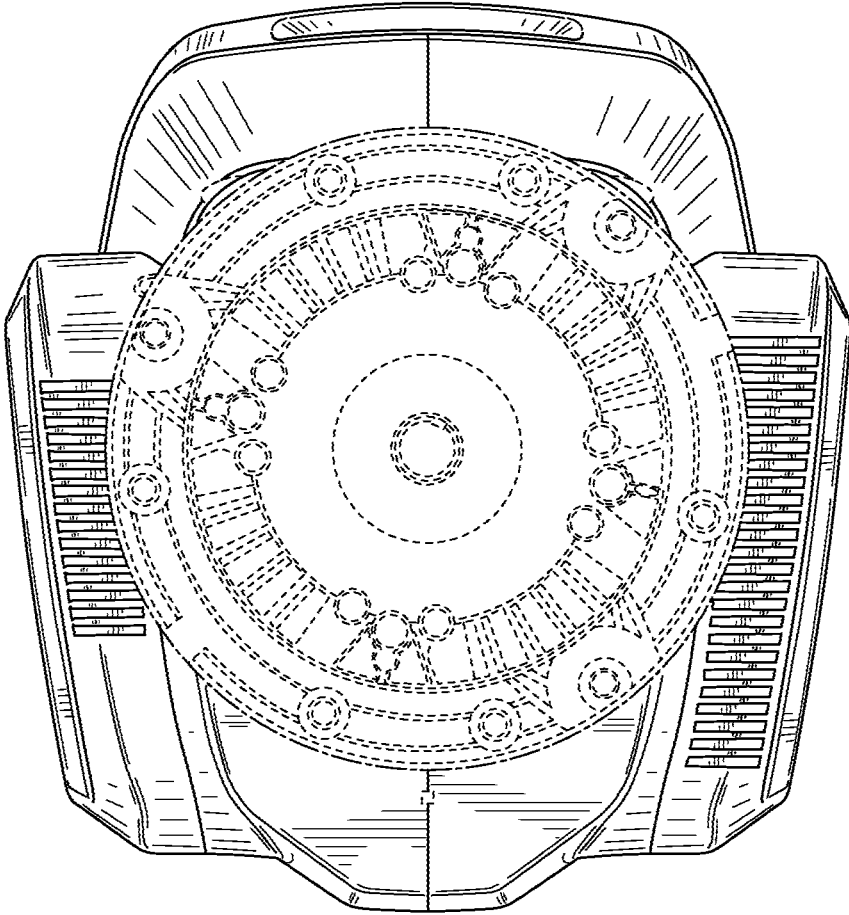


FIG. 14

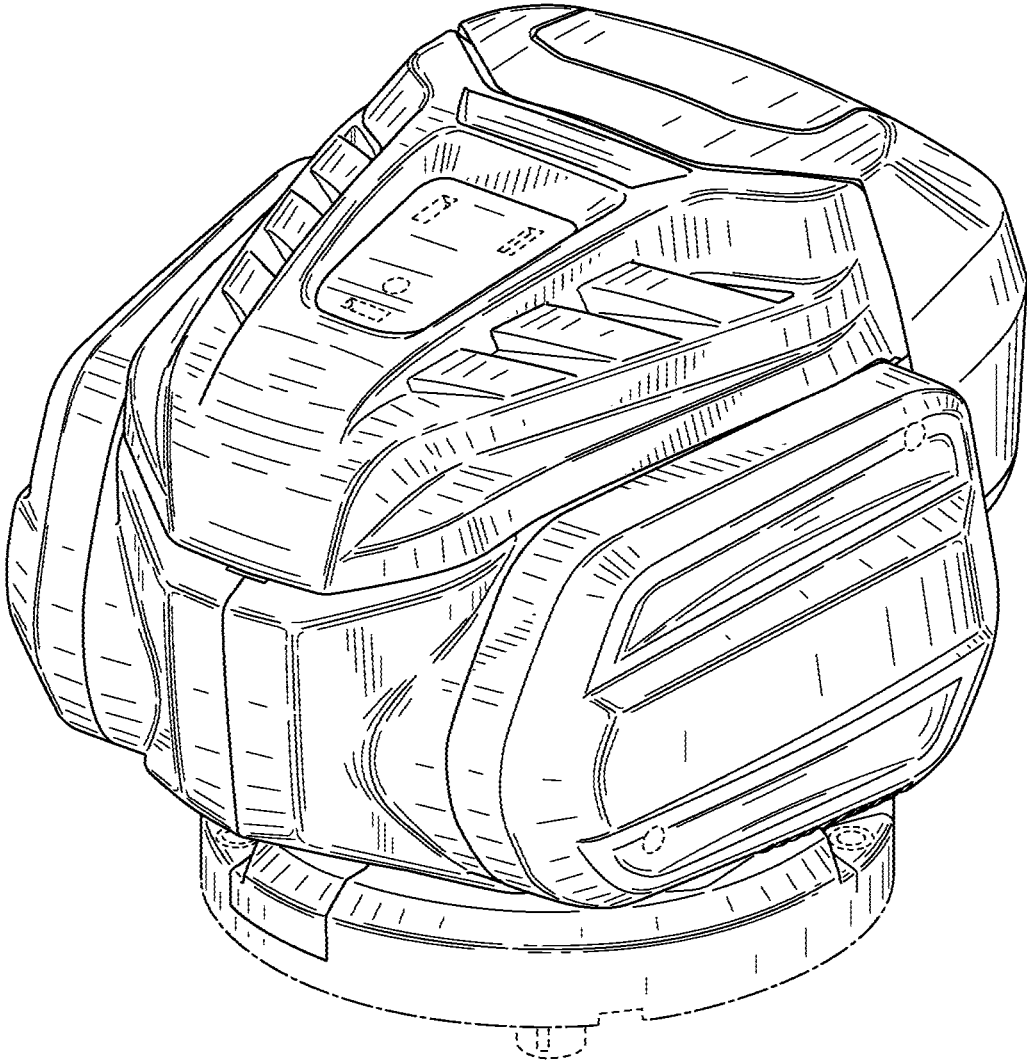


FIG. 15

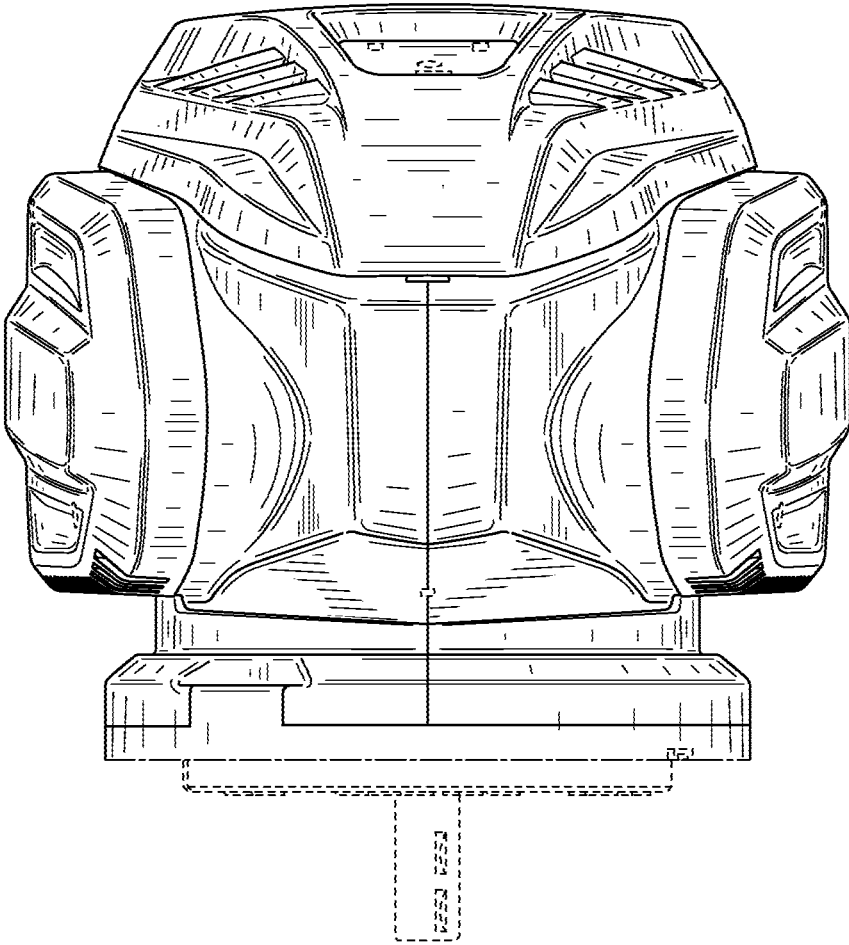


FIG. 16

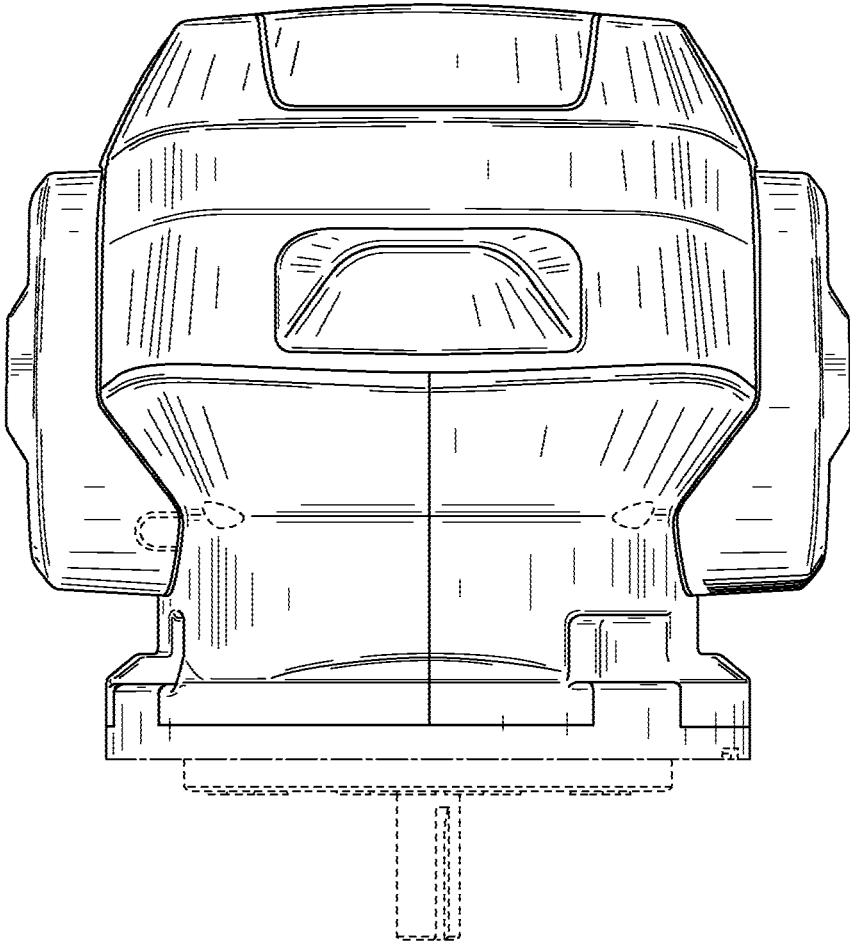


FIG. 17

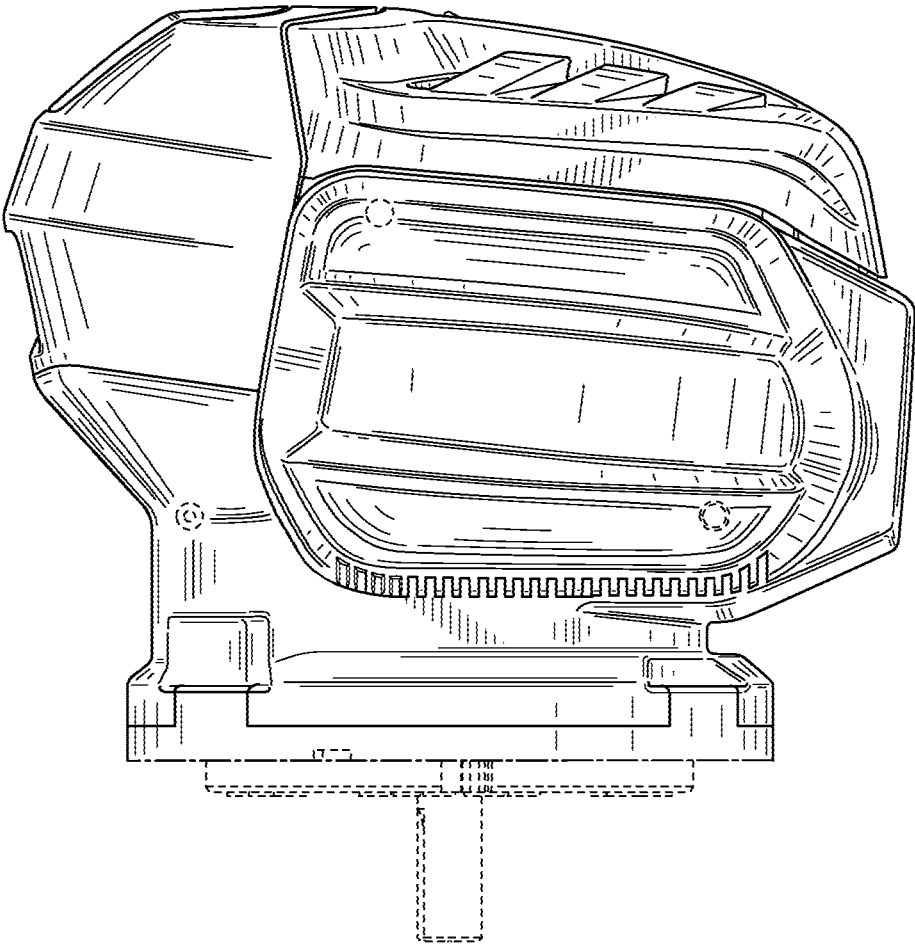


FIG. 18

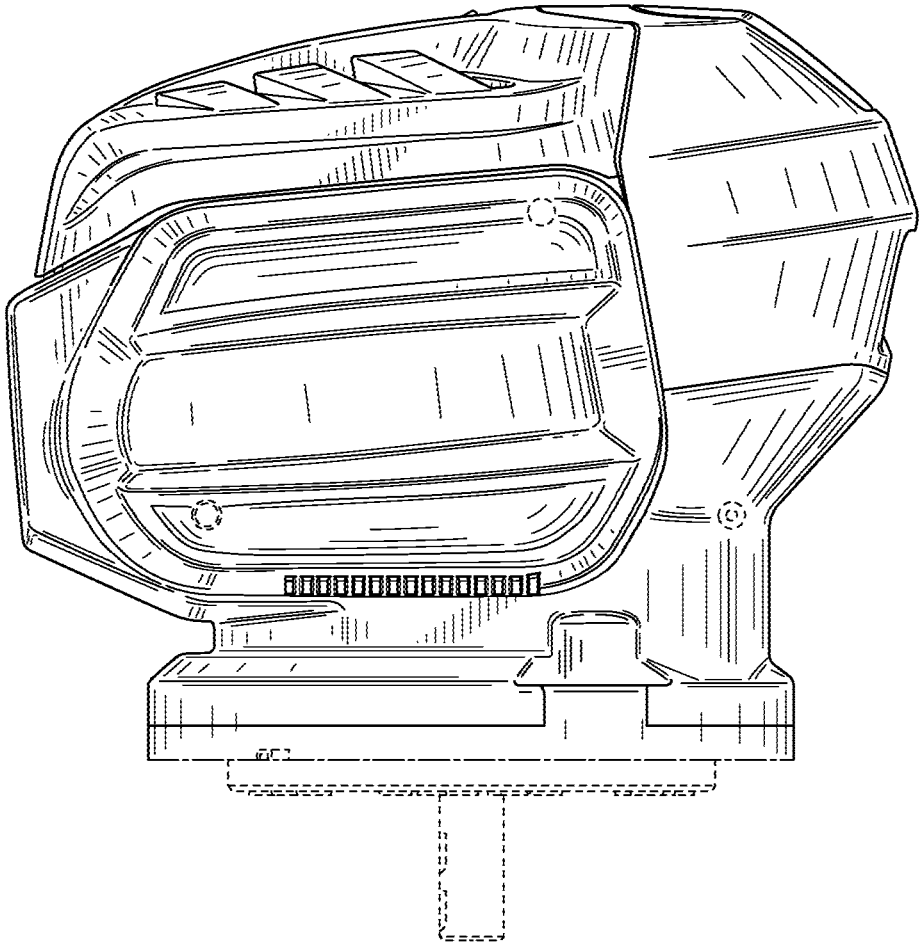


FIG. 19

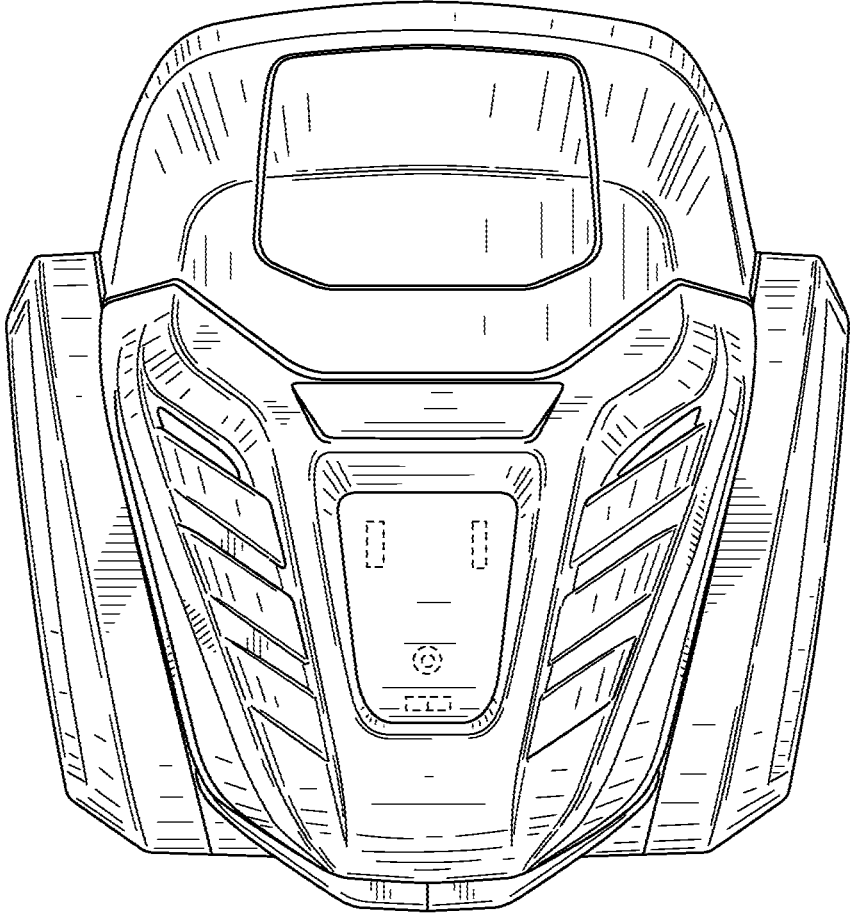


FIG. 20

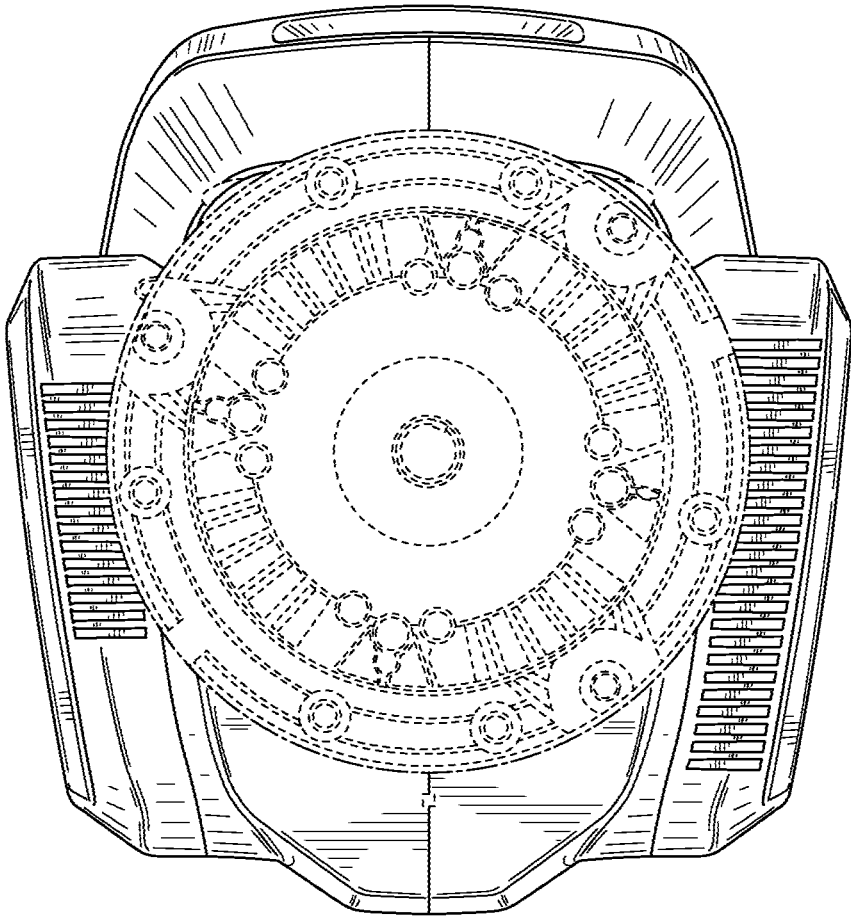


FIG. 21