

(72) BARCELOU, David M., US

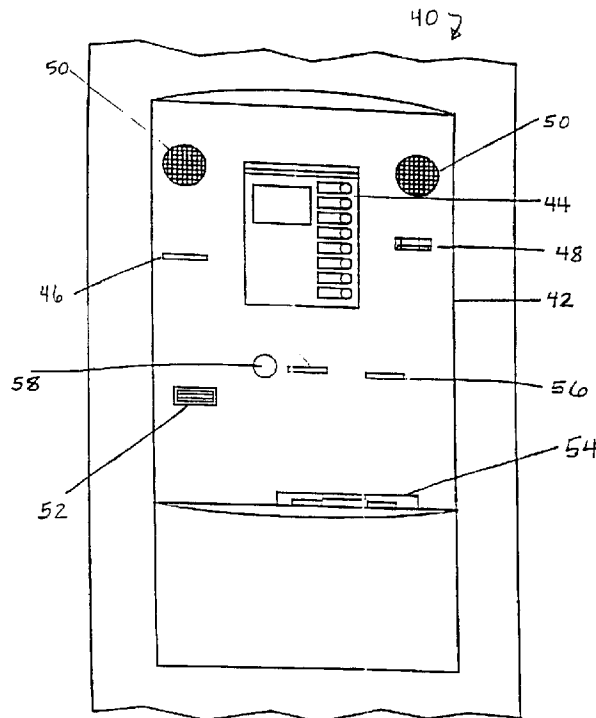
(71) BARCELOU, David M., US

(51) Int.Cl.⁶ G06F 17/60, G07F 7/08, G06F 19/00

(30) 1996/05/10 (60/017,533) US

(54) **MACHINE DE TRANSACTION AUTOMATISEE**

(54) **AUTOMATED TRANSACTION MACHINE**



(57) Terminal de point de vente automatisé dans lequel une pluralité de biens et/ou de services sont fournis dans un système intégré (40). Ledit système intégré (40) évite généralement le double emploi de matériel ou de fonctions lors de la livraison des biens ou services offerts. Ainsi, par exemple, dans une borne combinée guichet automatique et Internet, le même lecteur (48) de carte de crédit ou de carte à puce est utilisé pour les fonctions de borne Internet et guichet automatique, le même écran (42, 44) de commande active les fonctions de guichet automatique et les fonctions Internet, etc.

(57) An automated retail terminal in which a plurality of goods and/or services are provided in an integrated system (40). The integrated system (40) generally avoids duplicating hardware or functions in the course of delivering the goods or services offered, so for example in a combination ATM and Internet kiosk the same credit card or smart card reader (48) is used for both the ATM and the Internet kiosk functions, the same control screen (42, 44) activates the ATM functions and the Internet functions, and etc.



PCT

WORLD INTELLECTUAL PROPERTY ORGANIZATION
International Bureau

INTERNATIONAL APPLICATION PUBLISHED UNDER THE PATENT COOPERATION TREATY (PCT)

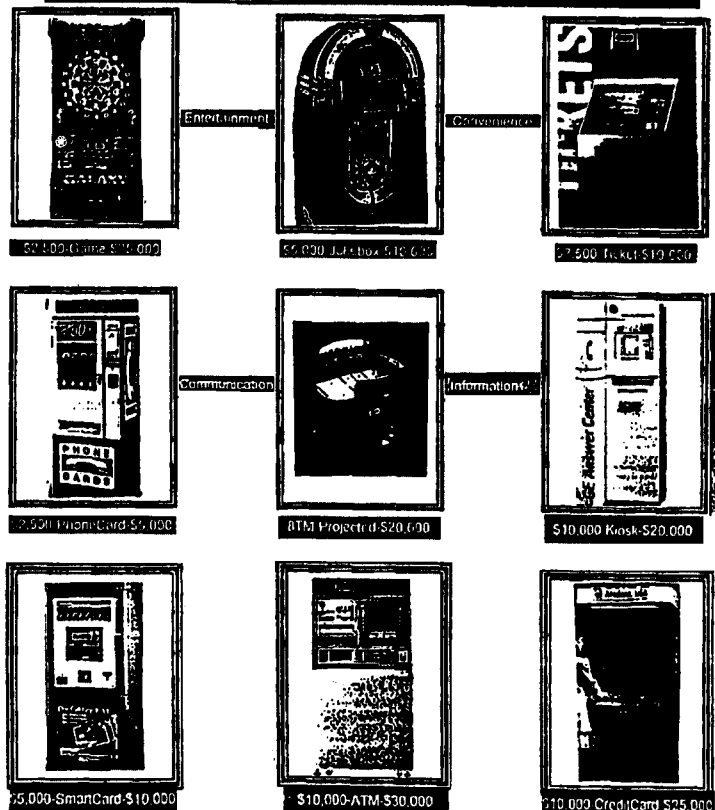
<p>(51) International Patent Classification ⁶ : G06F 17/06, 7/08, G06K 5/00, 15/00, 19/06</p>	<p>A1</p>	<p>(11) International Publication Number: WO 97/45796 (43) International Publication Date: 4 December 1997 (04.12.97)</p>
<p>(21) International Application Number: PCT/US97/08089 (22) International Filing Date: 9 May 1997 (09.05.97) (30) Priority Data: 60/017,533 10 May 1996 (10.05.96) US (71)(72) Applicant and Inventor: BARCELOU, David, M. [US/US]; 720 New Galena Road, Chalfont, PA 18914 (US). (74) Agents: SHAMOS, Michael, I. et al.; Webb Ziesenheim Bruening Logsdon Orkin & Hanson, P.C., 700 Koppers Building, 436 Seventh Avenue, Pittsburgh, PA 15219-1818 (US).</p>	<p>(81) Designated States: AL, AM, AT, AT (Utility model), AU, AZ, BA, BB, BG, BR, BY, CA, CH, CN, CU, CZ, CZ (Utility model), DE, DE (Utility model), DK, DK (Utility model), EE, EE (Utility model), ES, FI, FI (Utility model), GB, GE, GH, HU, IL, IS, JP, KE, KG, KP, KR, KZ, LC, LK, LR, LS, LT, LU, LV, MD, MG, MK, MN, MW, MX, NO, NZ, PL, PT, RO, RU, SD, SE, SG, SI, SK, SK (Utility model), TJ, TM, TR, TT, UA, UG, US, UZ, VN, YU, ARIPO patent (GH, KE, LS, MW, SD, SZ, UG), Eurasian patent (AM, AZ, BY, KG, KZ, MD, RU, TJ, TM), European patent (AT, BE, CH, DE, DK, ES, FI, FR, GB, GR, IE, IT, LU, MC, NL, PT, SE), OAPI patent (BF, BJ, CF, CG, CI, CM, GA, GN, ML, MR, NE, SN, TD, TG).</p> <p>Published <i>With international search report. Before the expiration of the time limit for amending the claims and to be republished in the event of the receipt of amendments.</i></p>	

(54) Title: AUTOMATED TRANSACTION MACHINE

(57) Abstract

An automated retail terminal in which a plurality of goods and/or services are provided in an integrated system (40). The integrated system (40) generally avoids duplicating hardware or functions in the course of delivering the goods or services offered, so for example in a combination ATM and Internet kiosk the same credit card or smart card reader (48) is used for both the ATM and the Internet kiosk functions, the same control screen (42, 44) activates the ATM functions and the Internet functions, and etc.

Cost of Eight Transaction Machines



AUTOMATED TRANSACTION MACHINE

Field of the Invention

The invention relates to retail terminals for automated transactions and a unique system design therefor.

5

Background of the Invention

For decades, retail sales and services have been automated to greater or lesser degrees. Historically in many European countries, shopkeepers of bakeries and other purveyors have long provided simple vending machines to dispense their products at their street entrances after business hours. More ambitiously automated restaurants are already legendary in the history of the United States. Other and more recent entrants in the automated retail sales and service industries include automated teller machines (ATMs), custom greeting card kiosks, automated lottery machines and other home and commercial business terminals including various Internet services available via personal computer.

Retail terminal technology generally, however, has been pervaded by a fundamental flaw which itself has gone completely unrecognized. This flaw becomes apparent when one considers the piecemeal character of retail terminals of all types in the applicable prior art. Without any known exception, automated retail functions are provided only to address particular and narrow needs. An ATM may dispense postage stamps, but treats the stamp sheets virtually as an alternate currency in a limited menu of deposit and cash access services. Lottery machines dispense lottery tickets; insurance machines dispense insurance policies; and fancy pay telephones and the most advanced home computers function primarily as old-fashioned credit card order lines for the various products and services available online. In short, even in the most recent instances the only advantage in retail automation has been the same as it has been for many years--the elimination of the human attendant.

A need thus remains for an innovation in the area of automated retail goods and services in which an automated transaction machine does more than merely provide existing goods and services in a simple automated way.

5

Summary of the Invention

In order to meet this need, the present invention is an automated retail terminal in which a plurality of goods and/or services is provided in an integrated system. The integrated system generally avoids duplicating hardware or functions in the course of delivering the goods or services offered, so for example in a combination ATM and Internet kiosk the same credit card or smart card reader is used for both the ATM and the Internet kiosk functions, the same control screen activates the ATM functions and the Internet functions, and etc. The overall importance--and the details concerning--the integrated system aspect of the present automated transaction terminal will become more apparent in the foregoing description.

10

15

Brief Description of the Drawings

20

Figure 1 is a schematic entitled "CONCEPT" which illustrates the various existing goods and services machines which can be combined in accordance with the invention;

25

Figure 2 is a schematic entitled "REALITY" which illustrates the various existing goods and services machines which can be combined in accordance with the present invention;

30

Figures 3a-3e are schematics which show various combinations of integrated systems according to the present invention;

Figure 4 is a side elevational view of a control panel according to a preferred embodiment of the invention;

35

Figure 5 is a side elevational view of the same mechanics as shown in Figure 4 but with the control panel removed;

Figure 6 is a perspective view of a further embodiment of the invention which combines multiple transaction stations in a kiosk, which might house any retail function, such as automobile service and refueling or fast food dispensing or vending; and

Figures 7a and 7b are side elevational views of a yet further embodiment of the invention.

Detailed Description of the Invention

The present invention is an automated transaction machine comprising an automated retail terminal which provides a plurality of goods and/or services from an integrated and automated system. Two or more goods and/or services are provided not only in combinations heretofore unavailable, but in an integrated system design in which duplication of effort (and hardware) is largely or completely eliminated.

Referring now to Figures 1 and 2, a plurality of machines is shown which can be combined in a single integrated system according to the present invention. However, not all the machines shown need be combined. The invention can be simply the combination of a telephone and a juke box, for example, with the hardware and functions of credit or smart card reading (or encoding), computer hardware and software and audio sound production and reproduction being shared. However, the preferred embodiments of the present invention include an integrated but otherwise traditional ATM, so as to enhance the overall retail sales and services offering by coordinating payment arrangements and generalized banking services with the retail transaction(s). This combination of providing an ATM with other retail goods and services transactions is not only new, but would heretofore have been considered virtually heretical.

The essence of the preferred embodiments of the invention thus resides in the new combination of previously existing but separate means of access to the stream of

WO 97/45796

PCT/US97/08089

daily commerce and banking. Meaningful combinations of ATMs and customer retail kiosks have never even been attempted before, possibly because the two technologies have undergone burgeoning technological growth in separately focussed directions. For example, certain telephone systems have been promoted as the "ATMs of the future," providing credit card recognition for instant, albeit remote, execution of retail services. Some ATMs dispense both bills and coin change, and offer services such as on-site check cashing with payment of the exact check amount in bills and/or coins. As described above, ATMs in the past have offered limited retail sales options such as the vending of postage stamps via the bill dispenser. But there has not been, heretofore, a meaningful incarnation of a single system, which an individual consumer can use in a single location, wherein real banking services, and real commercial and banking services, have been combined. Because it is difficult to define objectively, however, that which constitutes real or meaningful banking or retail services, the preferred embodiments of the invention are best characterized as providing a retail terminal offering at least two immediately accessible goods or services and selectively dispensing at least two forms of dispensable currency, to emphasize the novel plurality of uniquely combined system means intrinsic to the present invention. The system for providing these multiple services or goods is integrated, moreover; the invention does not comprise the mere freestanding combination of an existing ATM and an existing retail terminal in adjacent proximity.

One of the preferred embodiments of the present invention is that disclosed in U.S. Patent Application Serial No. 08/643,827 entitled "Automated League and Tournament Device." Two goods or services offered are ATM services and game league services, and the two forms of dispensable currency take the form of bills from the bill safe/dispenser and the encodable credit made possible by

WO 97/45796

PCT/US97/08089

the smart card encoder therein. Widespread variability is possible with respect to such combinations.

Another embodiment of the invention includes the following components. A free-standing or wall mounted ATM with traditional ATM hardware, software and banking network connections (and including a bill safe, bill dispenser, magnetic stripe card reader, keyboard and video screen) is augmented with additional means as follows. The ATM is fitted with a smart card reader/encoder, so that in addition to the traditional bill dispenser the ATM can dispense encodable currency onto a smart card or its equivalent (a PC card, a removable hard drive, or other means for encoding digital cash or electronic cash of various types.) The video screen is a touchscreen; internal software provides a first screen menu for selection of traditional ATM services and at least two additional immediate access retail services, which are selected from the group consisting of electromechanical games of skill services, smartcard services, insurance services, restaurant services, travel services, sports services, gaming device services, delivery services, coupon services, floral delivery services, gift basket delivery services, introduction services, audio services, news services transportation services, utility services, physician services, school services, security services, building services, credit services, directory services, home services, military services, personal services, automotive services, employment services, recreational services, travelers check services, children's services, videogames of skill services, Internet services, brokerage services, government services, entertainment services, library services, catalogue services, print services, diagnostic services, chat services, video services, database services, barter services, engineering services, pharmacy services, identification services, detective services, church services, loan services, training services, buying services, recruitment services, accounting

WO 97/45796

PCT/US97/08089

services, photographic services, food services, radio services, credit services, theme park services, music services, financial services, full-line vending services, health care services, remote access services, payment services, computer services, search services, network services, subscription services, virtual reality services, advertising services, rental services, programming services, beverage services, credit/debit card services, freight services, stored value card services, beauty services, tax services, leasing services, medical services, emergency services, publishing services, counseling services, satellite services, screening services, real estate services, telephone services, ticket services, television services, dating services, information services, lottery services, software services, reservation services, communication services, Intranet services, adult services, referral services, repair services, legal services, consulting services, maintenance services, moving services, trade show services, design services, lodging services, mail services, fast food services, automated services, recording services, clothing services, wireless services, human services, and encryption services. For the purpose of this embodiment, the form such second service takes must be an immediately realizable service, with a good or service being generally immediately rendered to the individual using the system (airline or theatre tickets being printed on the spot, for example) or being separately commenced (initiation of a delivery of flowers in a remote city, for example). It is readily apparent that this combination system is quite different from any of prior art ATMs, telephone ATMs "of the future," or even personal computer Internet connections which may provide retail functions but do give access to at least two forms of dispensable currency.

The most preferred embodiments of the present invention include means for providing at least two retail services which are not only immediately realizable but are

also immediately accessible to the individual user. Preferred immediate access services include game of skill services, music (juke box) services, vending, publishing (customized newspapers printed on the spot, for example),
5 dating, smart card encryption, travel and entertainment ticketing, and financial, insurance and brokerage services. The consumer appeal of synthesized commercial and retail services with banking services is enormous, which in itself highlights the irony that these diverse services, and the
10 means for providing them, have never been combined elsewhere heretofore.

User access to systems provided according to the invention will normally be accomplished by credit card, smart card or other identification card, but other means
15 are contemplated as within the scope of the invention. Literally any means of positive identification of any given individual user to the system can be implemented, such as iris or fingerprint scans and matching to user databases. Smart card access itself will undoubtedly continue to
20 evolve as smart cards increase in their accommodation of data and processing speed and ability, and this will only enhance the multiple retail and banking aspects of the preferred embodiments of the invention.

Referring now to Figures 3a-3e, five exemplary
25 system combinations are illustrated schematically. Fig. 3a illustrates a combined ATM and juke box system; Fig. 3b illustrates a combined ATM and Internet retail terminal; Fig. 3c shows a combined ATM and insurance policy terminal; Fig. 3d illustrates a combined dating service and travel
30 ticketing terminal; and Fig. 3e illustrates a combined ATM and lottery dispensing machine. These combinations are exemplary of the various conceptual incarnations of the invention as described above.

Referring now to Figure 4, the multiple
35 functionalities can be combined via a video touchscreen which provides for selection of a wide variety of goods and/or services. Figure 4 is a partial side elevational

WO 97/45796

PCT/US97/08089

view of a kiosk 40 including a control panel 42 having a video command touchscreen 44, at least one smart card dispenser 46, a credit card reader 48, stereo speakers 50, a bill (cash) acceptor 52, a bill dispenser 54 and a receipt (printer) dispenser 56. Optionally, one of the smart card dispensers 46 may be recording means for encoding information on media other than smart cards, including but not limited to magnetic recording tape; floppy or removable hard disks or drives; recordable CDs, PC cards or PCMCIA cards and etc. A motion/sound/position sensor 58 is also provided adjacent the video command touchscreen. A person using the control panel 42 thus has access to all available goods and/or services in a single location.

Figure 5 illustrates the control panel 42 of Figure 4 with its cover removed, exposing the underlying mechanical features not including the computerized control and optional network access means which drive the system. A bill dispenser security safe 55 is thus positioned surrounding the bill dispenser 54. A bill acceptor mechanism 53 known in the art supports the bill acceptor 52. A smart card safe 47 contains smart card inventory to supply to the smart card dispenser(s) 46. A motion/sound/position device 59 supports the sensor 58. A printer 57 provides receipts or other printed materials to the receipt (printer) dispenser 56. Each individual mechanism illustrated in Figures 4 and 5 is known in the art, and the invention combines a number of them in a novel and commercially irresistible way.

Figures 4 and 5 illustrate a video command touchscreen 44 which is deliberately in portrait rather than landscape orientation. This deliberate orientation enhances the suitability of the command screen to relatively long, single-column selection menus such as those of the World Wide Web on the Internet and also adds an attractive design feature to the kiosk containing it.

Figure 6 illustrates a kiosk containing multiple transaction control panels similar to those of Figure 4. A kiosk such as shown can house games, automobile refueling or fast food services in automated form, or virtually any other goods or services disclosed herein.

Figures 7a and 7b are side elevational views of a further embodiment of the invention. Segments 171 can house monitors, liquid crystal or gas plasma displays; segment 172 can house three dimensional volumetric displays including electromechanical games or displays or three dimensional video or holographic arrays. Kiosks such as are shown in Figures 7a and 7b may have, optionally, fold down seating and/or modular construction.

The invention is susceptible of widespread departure from the above disclosure without departing from the scope of the invention. Virtually any heretofore uncombined goods and/or services provision may be combined in the automated transaction terminal of the present invention. The key to the invention is the multiple functioning of the terminal as compared to primarily single purpose devices of the prior art. Another way of understanding the most preferred embodiments of the present invention is as an ATM combined with an additional functionality typically found, in the prior art, only in its own freestanding device, i.e., juke box, Internet terminal, etc. Combinations of individual goods and services can be customized to the theme or character of the intended location, and the combinations are thus deliberate, not slapdash.

Notwithstanding the foregoing description, the invention is only to be limited as is set forth in the accompanying claim.

I claim:

1. An automated transaction machine, comprising:

(1) means for identifying the user;

(2) means for realizing at least two retail transactions pertaining to immediately accessible goods or services; and

(3) means for dispensing at least two forms of dispensable currency; wherein said means for identifying the use, said means for realizing at least two retail transactions and said means for dispensing currency are integrated into a single system.

2. The automated transaction machine according to claim 1, wherein said goods or services are selected from the group consisting of banking services, electromechanical games of skill services, smart card services, insurance services, restaurant services, travel services, sports services, gaming device services, delivery services, coupon services, floral delivery services, gift basket delivery services, introduction services, audio services, news services, transportation services, utility services, physician services, school services, security services, building services, credit services, directory services, home services, military services, personal services, automotive services, employment services, recreational services, travelers check services, children's services, videogames of skill services, Internet services, brokerage services, government services, entertainment services, library services, catalogue services, print services, diagnostic services, chat services, video services, database services, barter services, engineering services, pharmacy services, identification services, detective services, church services, loan services, training services, buying services, recruitment services, accounting services, photographic services, food services, radio services, credit services, theme park services, music

IPEA/US 29 JUN 1998

25 services, financial services, full-line vending services,
health care services, remote access services, payment
services, computer services, search services, network
services, subscription services, virtual reality services,
advertising services, rental services, programming
30 services, beverage services, credit/debit card services,
freight services, stored value card services, beauty
services, tax services, leasing services, medical services,
emergency services, publishing services, counseling
services, satellite services, screening services, real
35 estate services, telephone services, ticket services,
television services, dating services, information services,
lottery services, software services, reservation services,
communication services, Intranet services, adult services,
referral services, repair services, legal services,
40 consulting services, maintenance services, moving services,
trade show services, design services, lodging services,
mail services, fast food services, automated services,
recording services, clothing services, wireless services,
human services, and encryption services.

CONCEPT

Cost of Eight Transaction Machines



FIG. 1

REALITY



FIG. 2

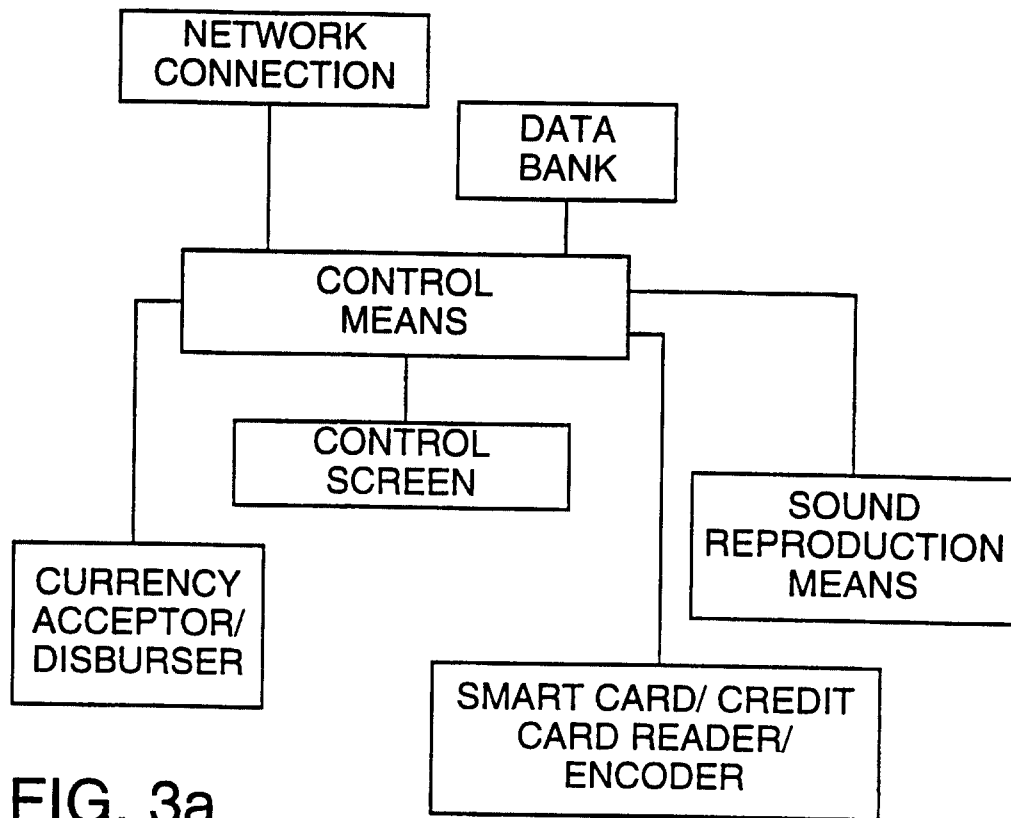


FIG. 3a

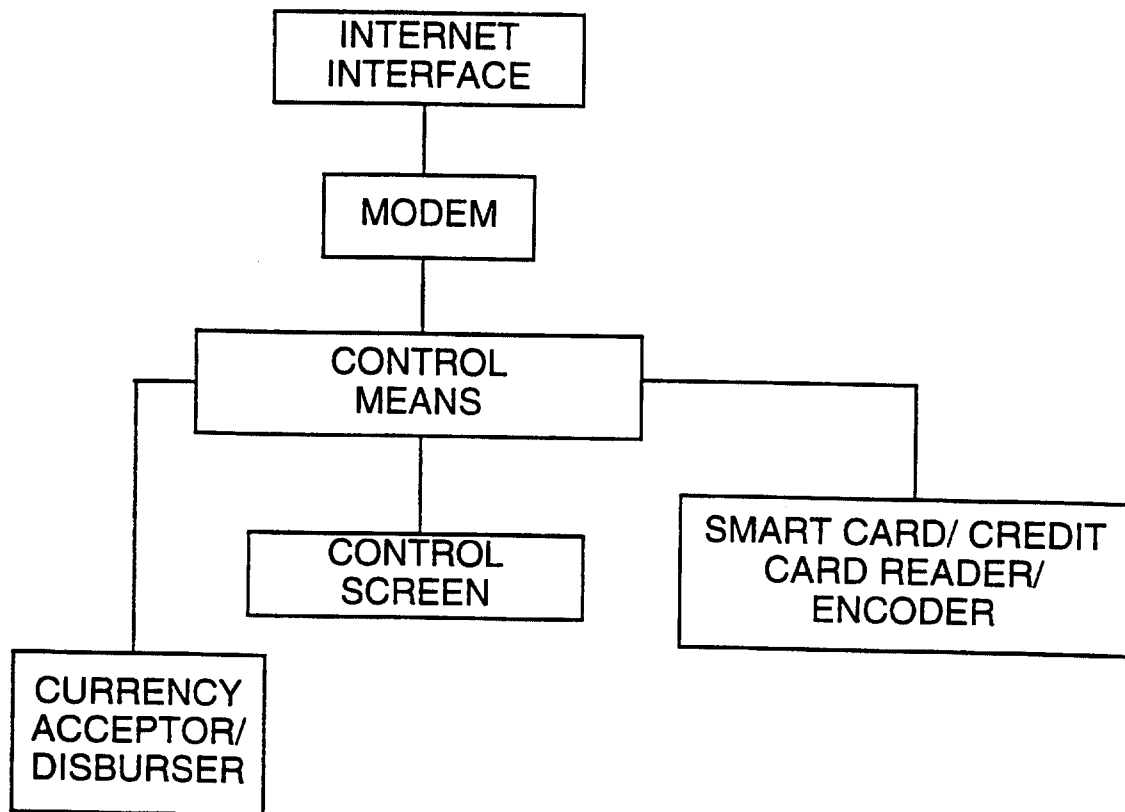


FIG. 3b

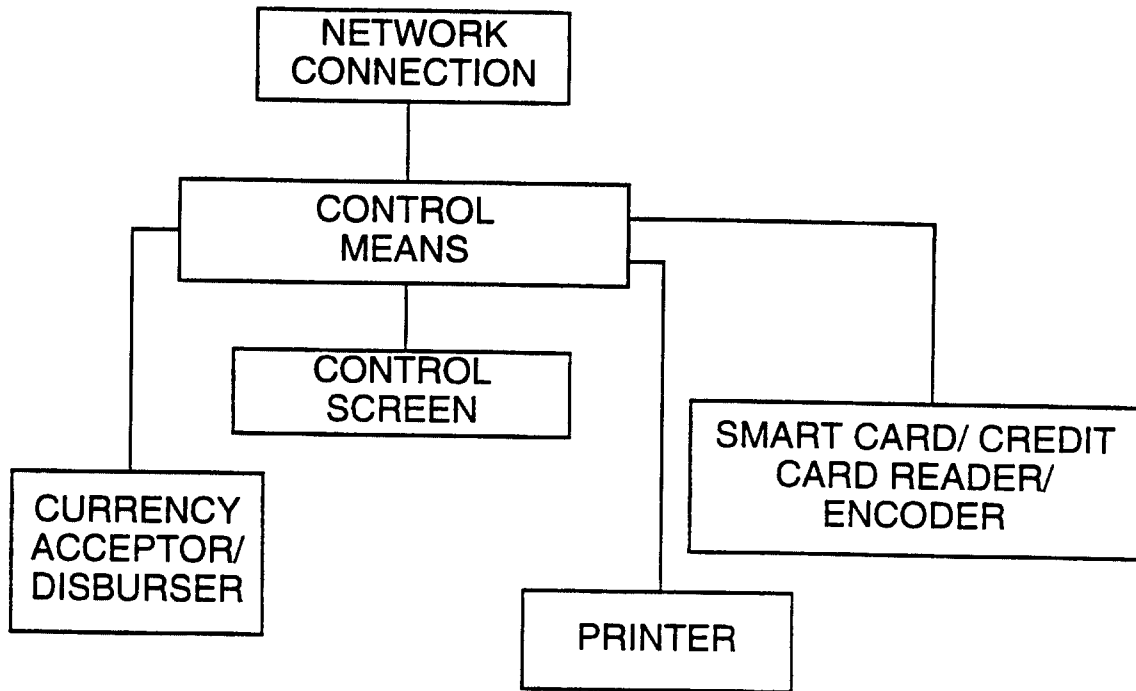


FIG. 3c

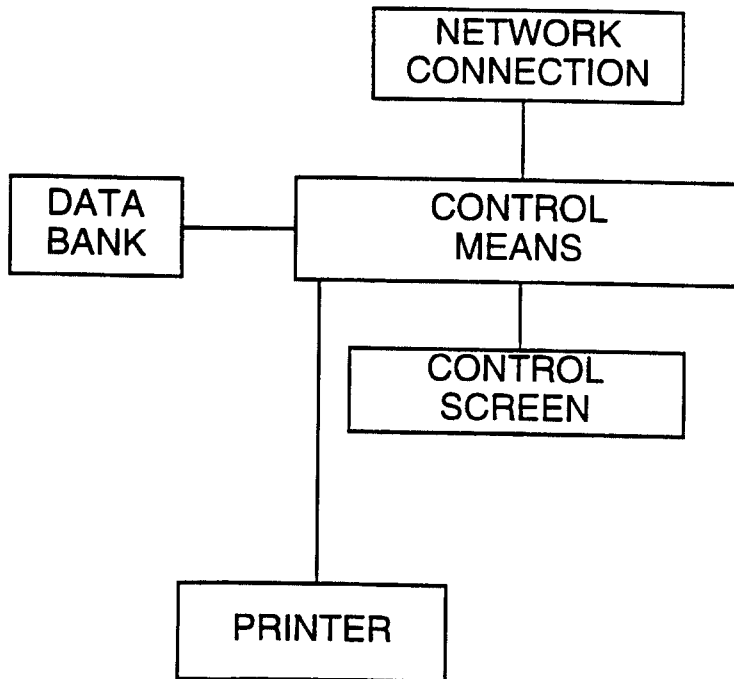


FIG. 3d

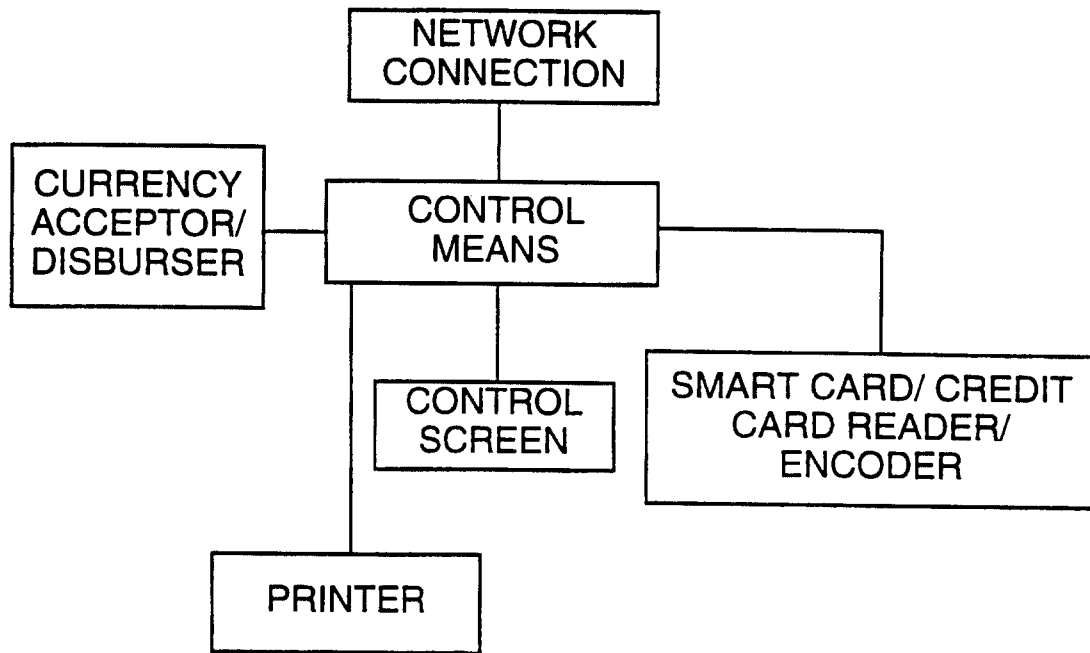


FIG. 3e

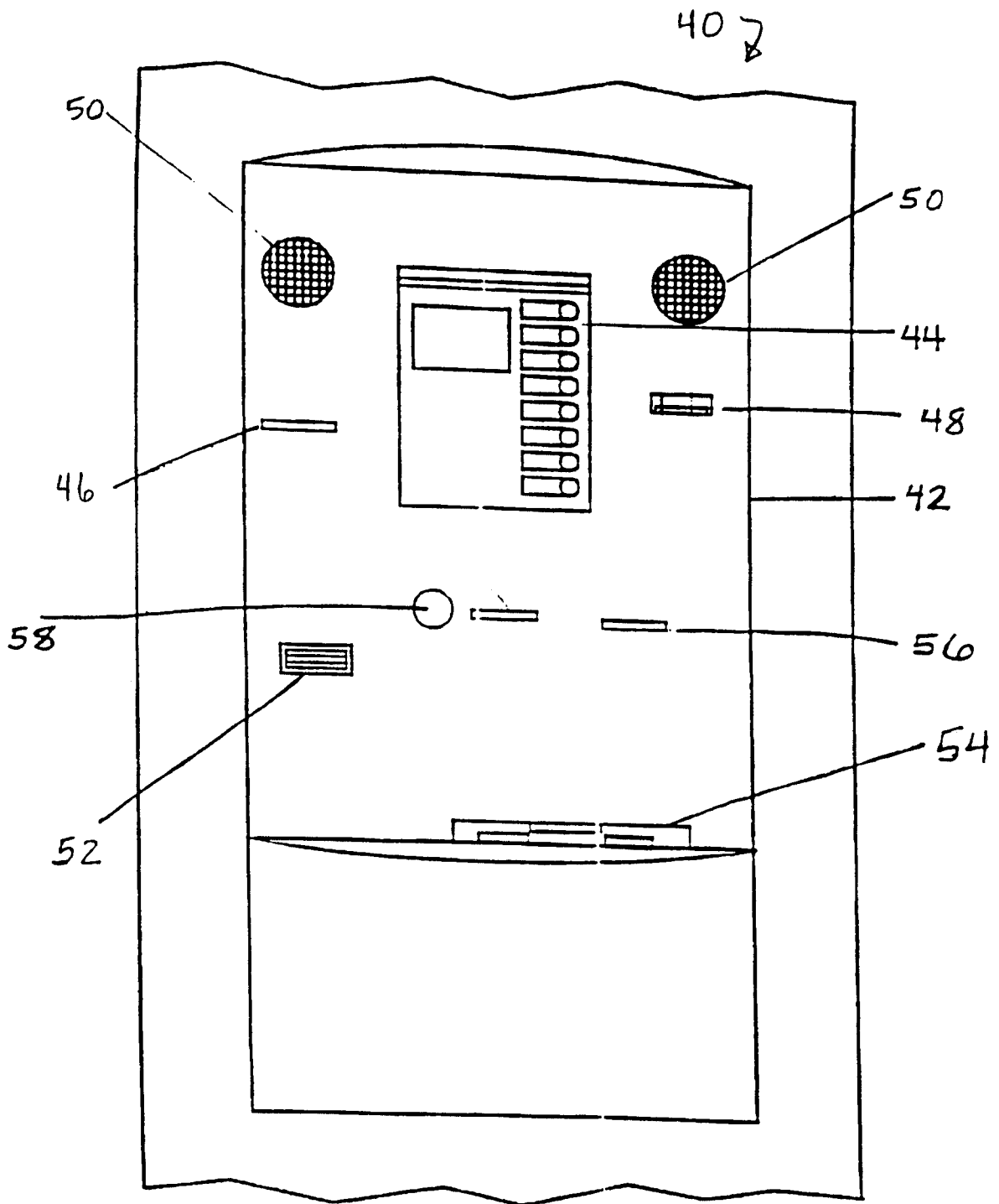


FIG. 4

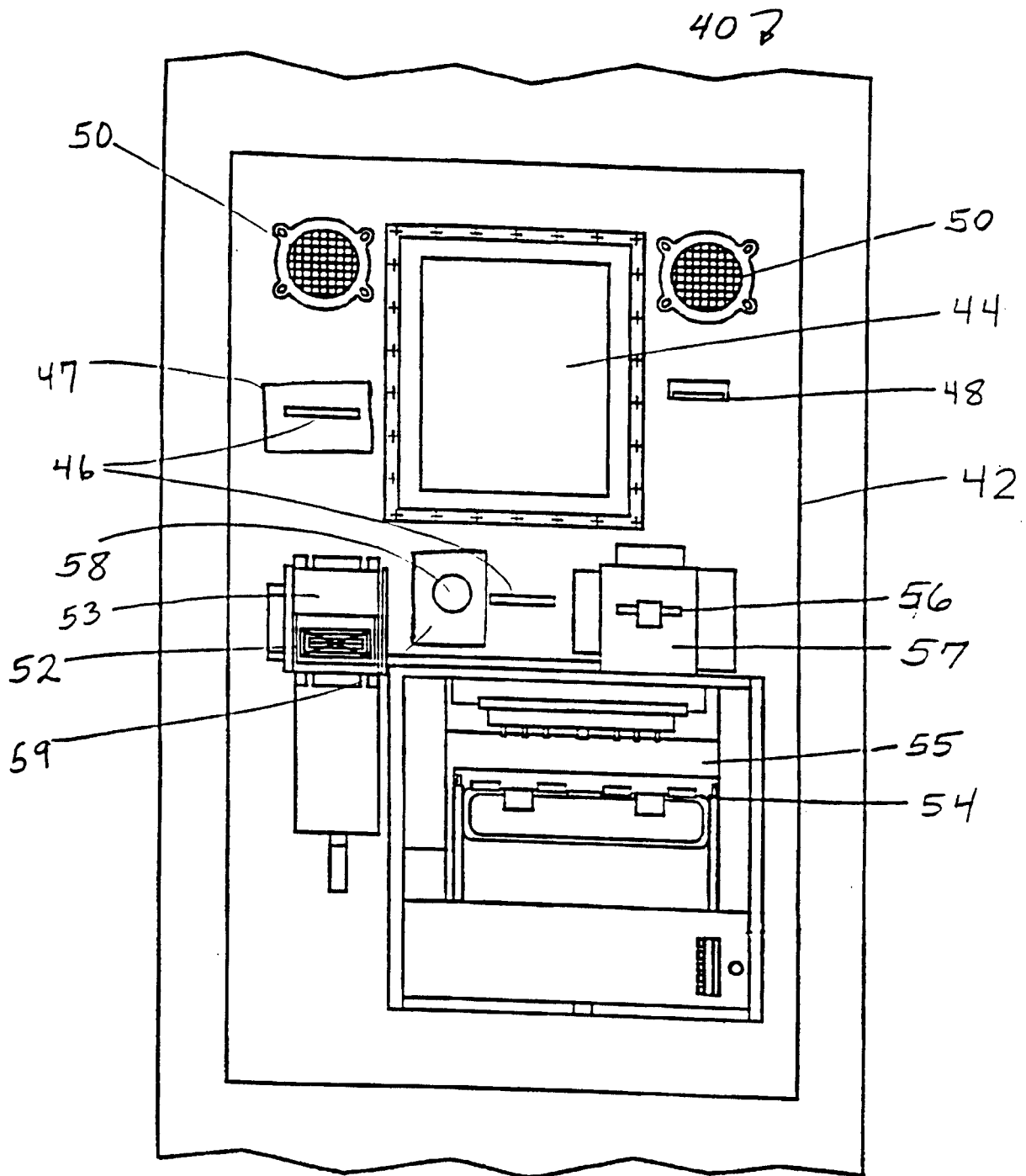


FIG. 5

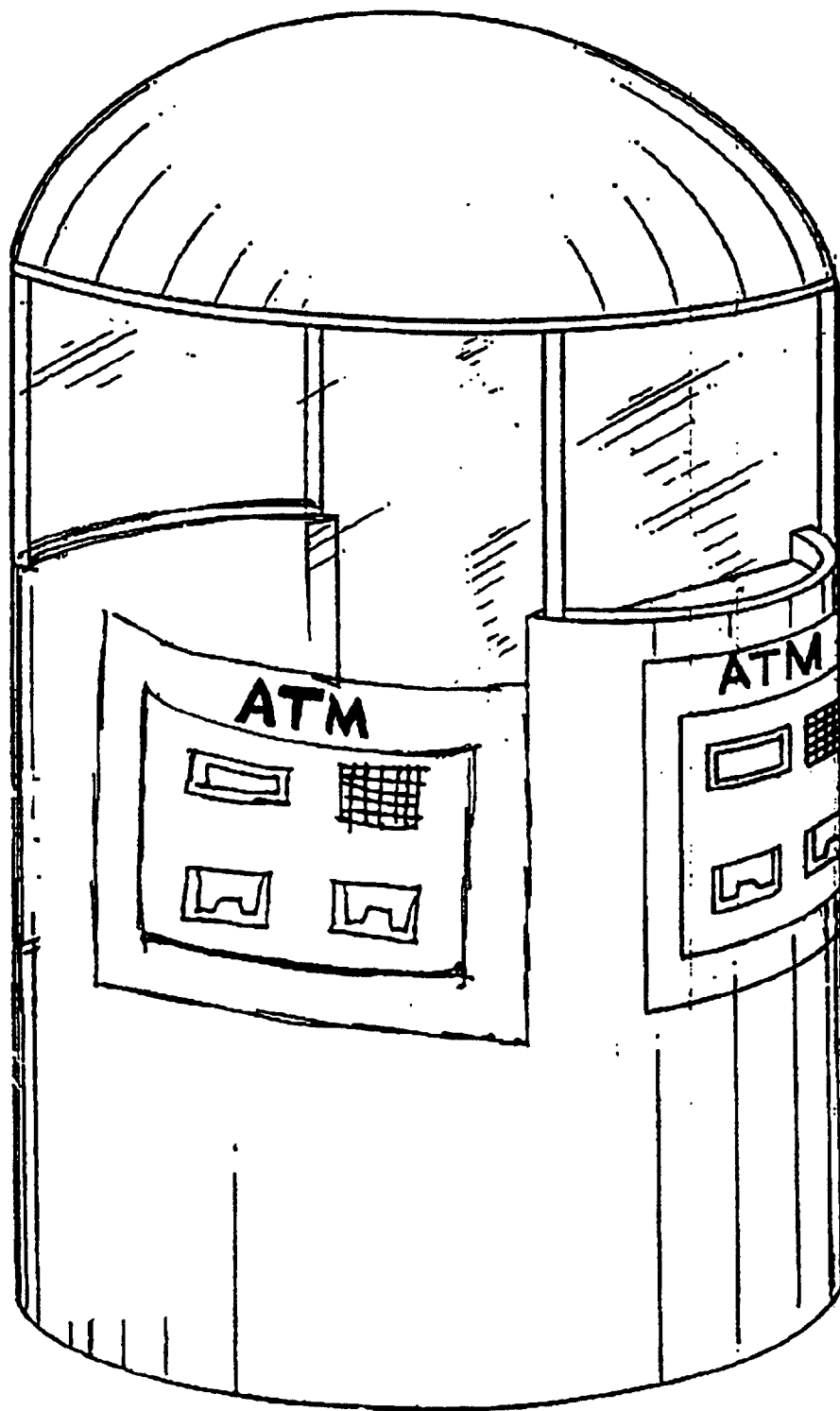


FIG. 6

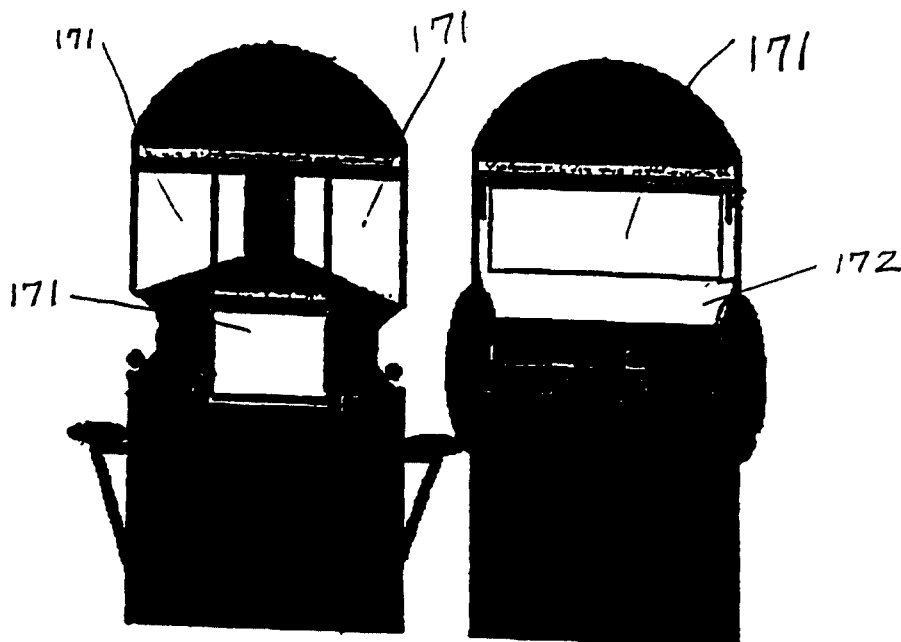


FIG. 7a

FIG. 7b

40 2

