



US00D956184S

(12) **United States Design Patent**
Liao

(10) **Patent No.:** **US D956,184 S**

(45) **Date of Patent:** **** Jun. 28, 2022**

(54) **FAUCET**

(71) Applicant: **DELTA FAUCET COMPANY,**
Indianapolis, IN (US)

(72) Inventor: **Song Qing Liao,** Guangzhou (CN)

(73) Assignee: **DELTA FAUCET COMPANY,**
Indianapolis, IN (US)

(**) Term: **15 Years**

(21) Appl. No.: **29/749,962**

(22) Filed: **Sep. 10, 2020**

(51) **LOC (13) Cl.** **23-01**

(52) **U.S. Cl.**
USPC **D23/242**

(58) **Field of Classification Search**
USPC D23/241-243, 252, 254-255, 257;
D8/307-308

See application file for complete search history.

(56) **References Cited**

U.S. PATENT DOCUMENTS

D873,965 S * 1/2020 Lazarini D23/241
D919,053 S * 5/2021 Stoler D23/242
D933,165 S * 10/2021 Elser D23/242

* cited by examiner

Primary Examiner — Robert A Delehanty

(74) *Attorney, Agent, or Firm* — Nirav D. Parikh; Edgar
A. Zarins

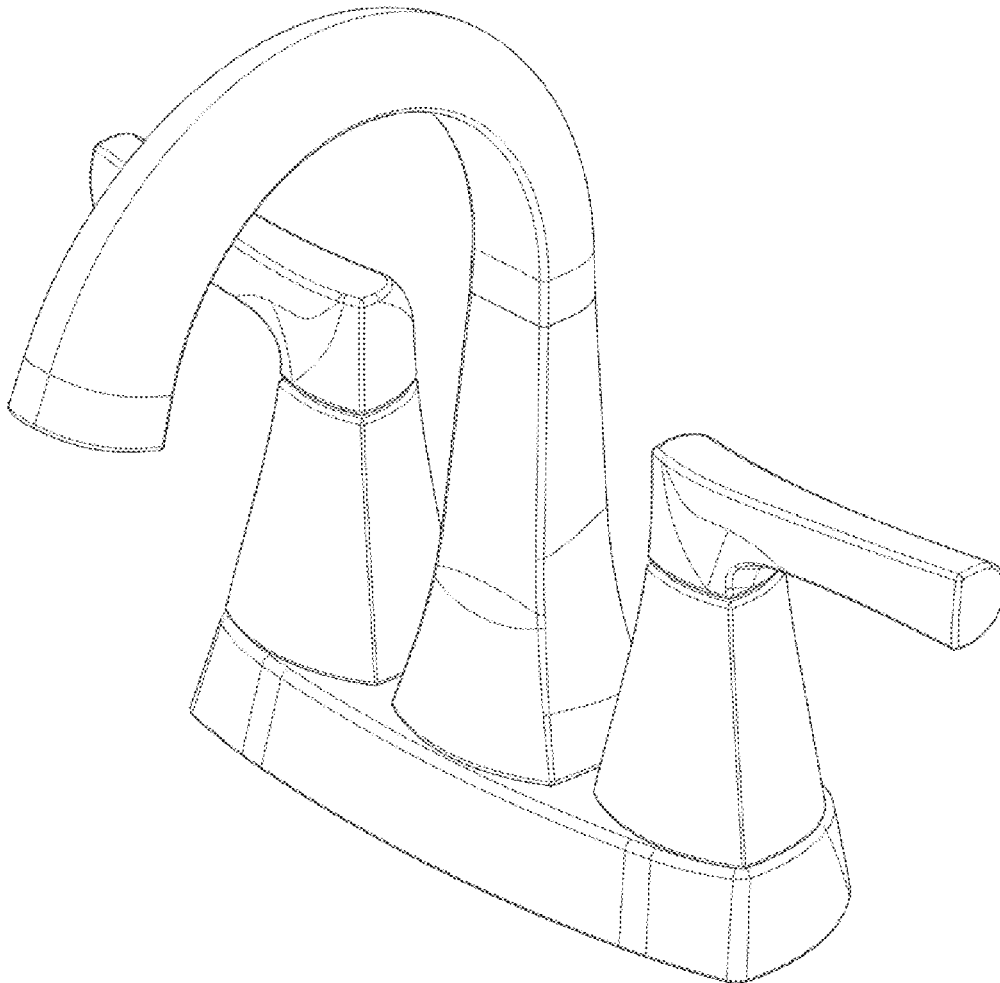
(57) **CLAIM**

The ornamental design for a faucet, as shown and described.

DESCRIPTION

FIG. 1 is a front perspective view of a faucet showing my new design;
FIG. 2 is a rear perspective view thereof;
FIG. 3 is a front elevational view thereof;
FIG. 4 is a left side view thereof;
FIG. 5 is a rear view thereof;
FIG. 6 is a right side view thereof; and,
FIG. 7 is a top plan view thereof.

1 Claim, 4 Drawing Sheets



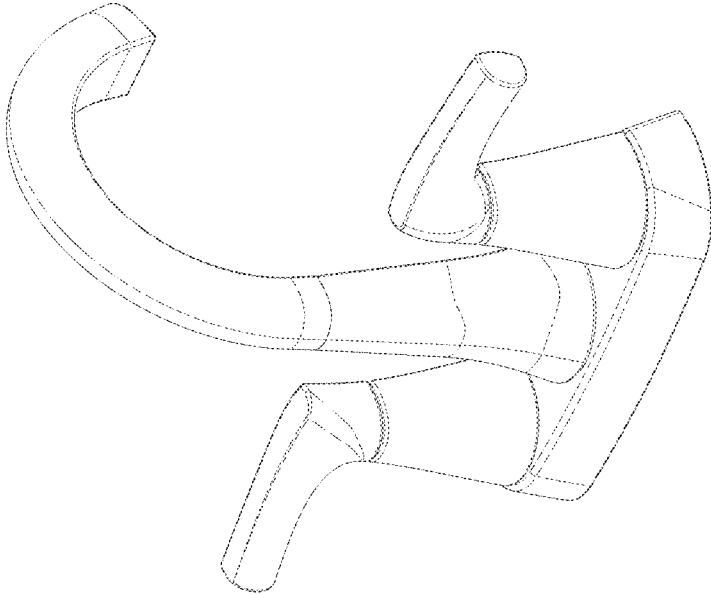


FIG - 2

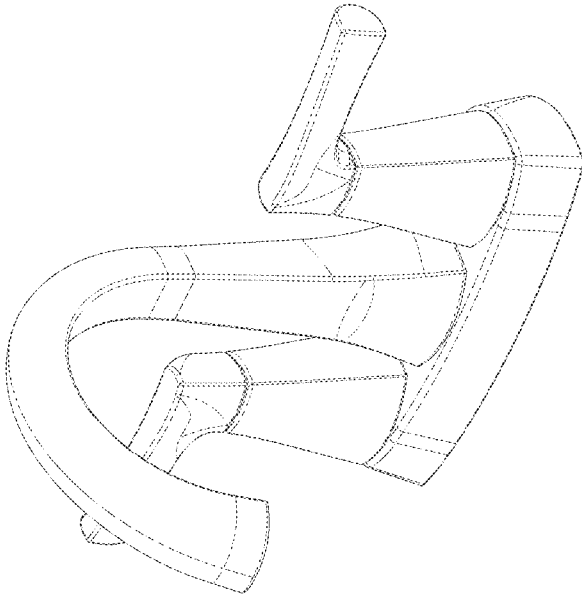


FIG - 1

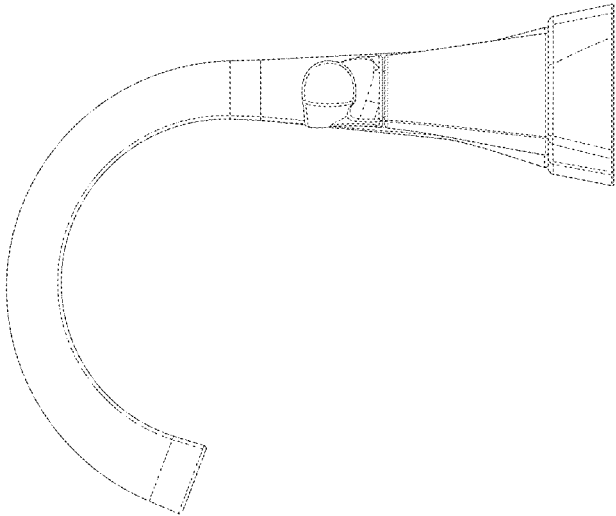


FIG - 4

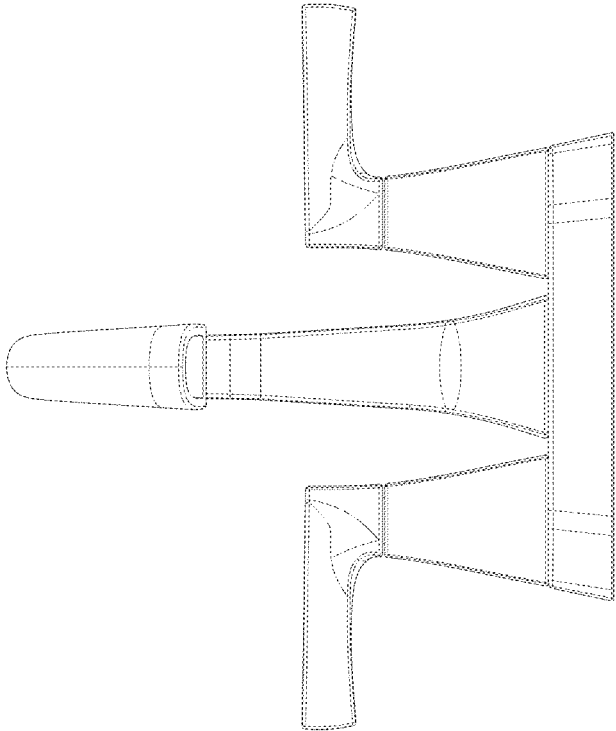


FIG - 3

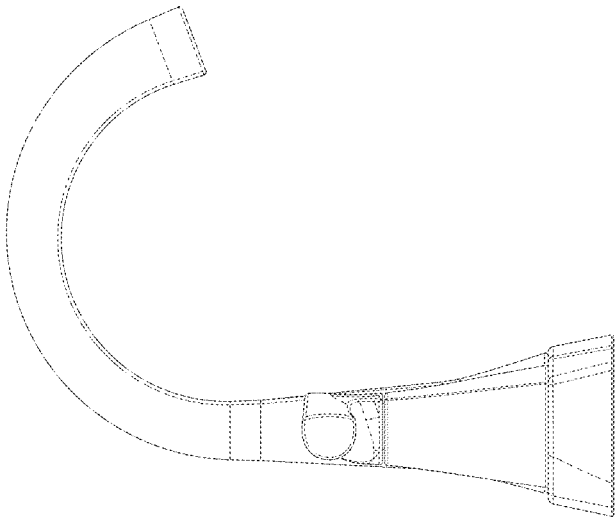


FIG - 6

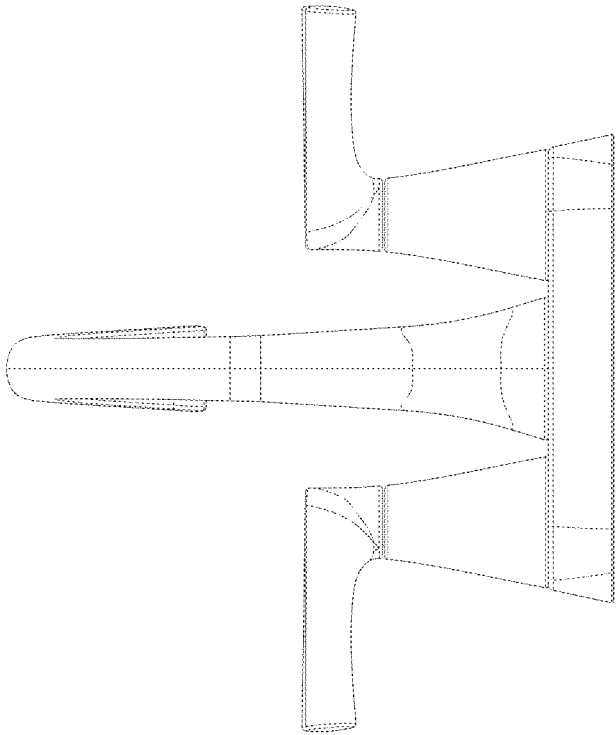


FIG - 5

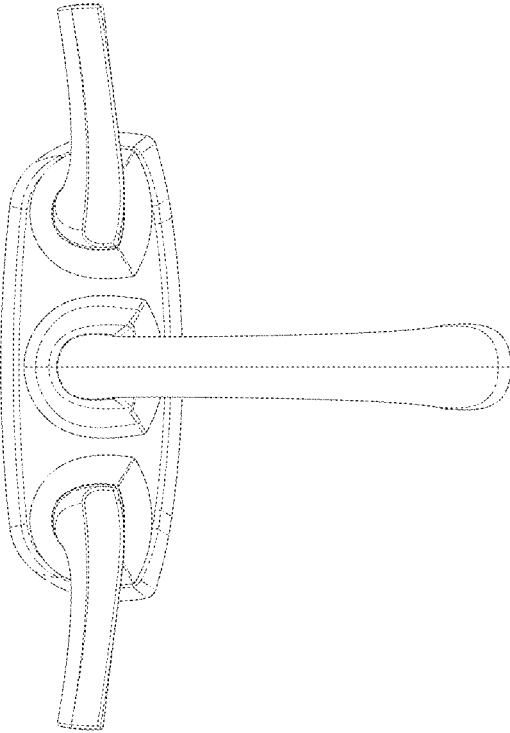


FIG - 7