



US00D777408S

(12) **United States Design Patent**
Price

(10) **Patent No.:** **US D777,408 S**
(45) **Date of Patent:** **** Jan. 31, 2017**

(54) **LONG SLEEVE GARMENT WITH BACK STRAP**

(71) Applicant: **Sarah Price / Interwear Ltd., Kent (GB)**

(72) Inventor: **Sarah Price, London (GB)**

(73) Assignee: **INTERWEAR LTD., Tunbridge Wells, Kent (GB)**

(**) Term: **15 Years**

(21) Appl. No.: **29/540,433**

(22) Filed: **Sep. 24, 2015**

(30) **Foreign Application Priority Data**

Jul. 17, 2015 (EM) 002739243-0001

(51) **LOC (10) Cl.** **02-02**

(52) **U.S. Cl.**
USPC **D2/840**

(58) **Field of Classification Search**

USPC D2/614, 703, 704, 706, 708, 717, 721,
D2/750, 828, 840, 842; 2/69, 113

CPC A41D 3/08; A41D 27/10
See application file for complete search history.

(56) **References Cited**

U.S. PATENT DOCUMENTS

D241,185	S *	8/1976	Schlechter	D2/614
4,570,267	A *	2/1986	Appel	A41B 9/06 2/91
D331,138	S *	11/1992	Kopp	D2/701
D572,435	S *	7/2008	Bily	D2/828
D637,790	S *	5/2011	Stoffle	D2/717
D646,869	S *	10/2011	Greenblat	D2/750
D663,925	S *	7/2012	Greenblat	D2/750
D683,929	S *	6/2013	Bryan	D2/701
8,826,465	B2 *	9/2014	Greenblat	A41D 1/22 2/69

9,027,164	B2 *	5/2015	Seiler	A41D 1/22 2/16
D739,118	S *	9/2015	Aitch	D2/701
2007/0163026	A1 *	7/2007	Perry	A41B 9/06 2/69
2009/0217439	A1 *	9/2009	Ross	A41C 3/08 2/73

(Continued)

OTHER PUBLICATIONS

Her Room. Fashion Forms Strap Mate Bra Straps. Publication date unknown. [site visited Apr. 13, 2016]. Available on the Internet URL: <<http://www.herroom.com/fashion-forms-2015-strap-mate-bra-straps-2-pack.shtml>>.*

(Continued)

Primary Examiner — Susan Bennett Hattan

Assistant Examiner — S. Bryan Reinholdt, Jr.

(74) *Attorney, Agent, or Firm* — Holland & Hart, LLP

(57) **CLAIM**

The ornamental design for a long sleeve garment with back strap, as shown and described.

DESCRIPTION

FIG. 1 is a front perspective view of a long sleeve garment with back strap.

FIG. 2 is a back perspective view of a long sleeve garment with back strap.

FIG. 3 is a front elevation view of a long sleeve garment with back strap.

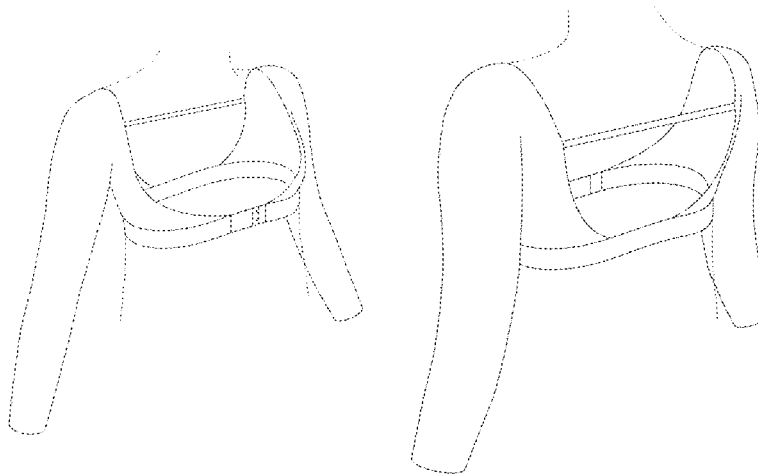
FIG. 4 is a back elevation view of a long sleeve garment with back strap.

FIG. 5 is a left side view of a long sleeve garment with back strap; and,

FIG. 6 is a right side view of a long sleeve garment with back strap.

The broken lines depict environmental subject matter and form no part of the claimed design.

1 Claim, 6 Drawing Sheets



(56)

References Cited

U.S. PATENT DOCUMENTS

2011/0271420 A1* 11/2011 Lawrence A41B 9/06
2/113

OTHER PUBLICATIONS

Kanaal van InfomercialsTV-YouTube, Shrug Shaper by Kymaro—
Get Slim, Trim, Lifted and Tone Instantly, Jan. 31, 2012, [site visited
Apr. 13, 2016], Available on the Internet URL:<<https://www.youtube.com/watch?v=TDv7gciKMa0>>.*

Your Contour. Bolero Long Sleeve Arm Shapewear. Publication
date unknown. [site visited Apr. 13, 2016]. Available on the Internet
URL:<<https://www.yourcontour.com/en/shop/bolero-long-sleeve-arm-shapewear/#>>.*

UbyEZ. Shrug Shaper Kymaro. Publication Date unknown. [site
visited Apr. 13, 2016]. Available on the Internet URL:<http://www.ubuyez.com/index.php?main_page=product_info&products_id=85>.*

* cited by examiner

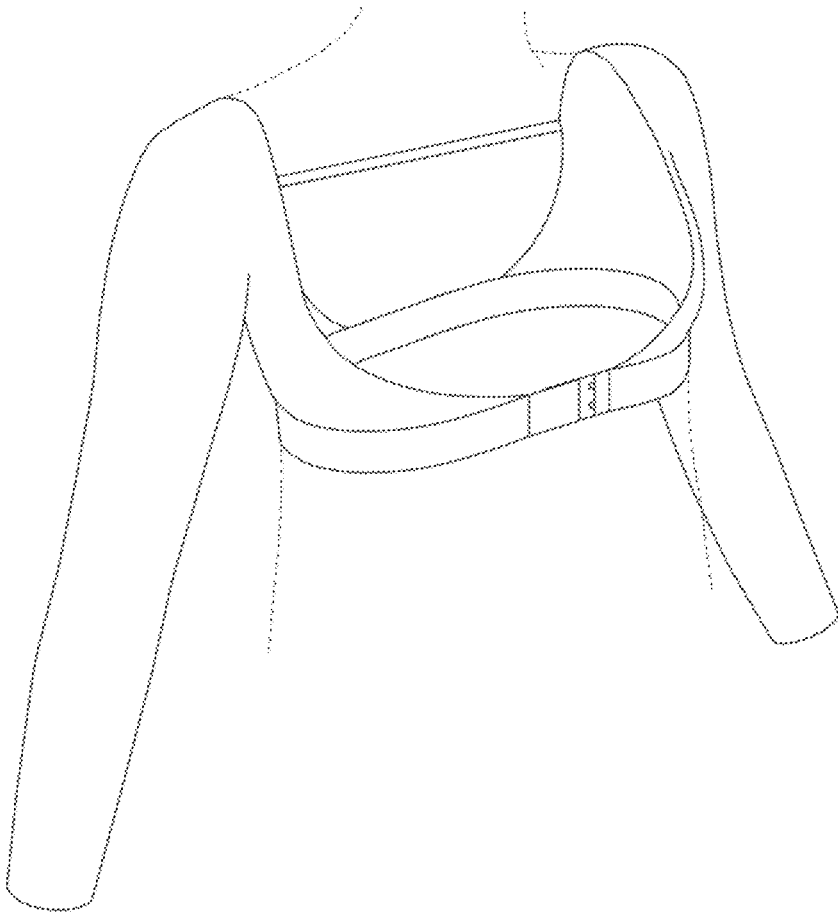


FIG. 1

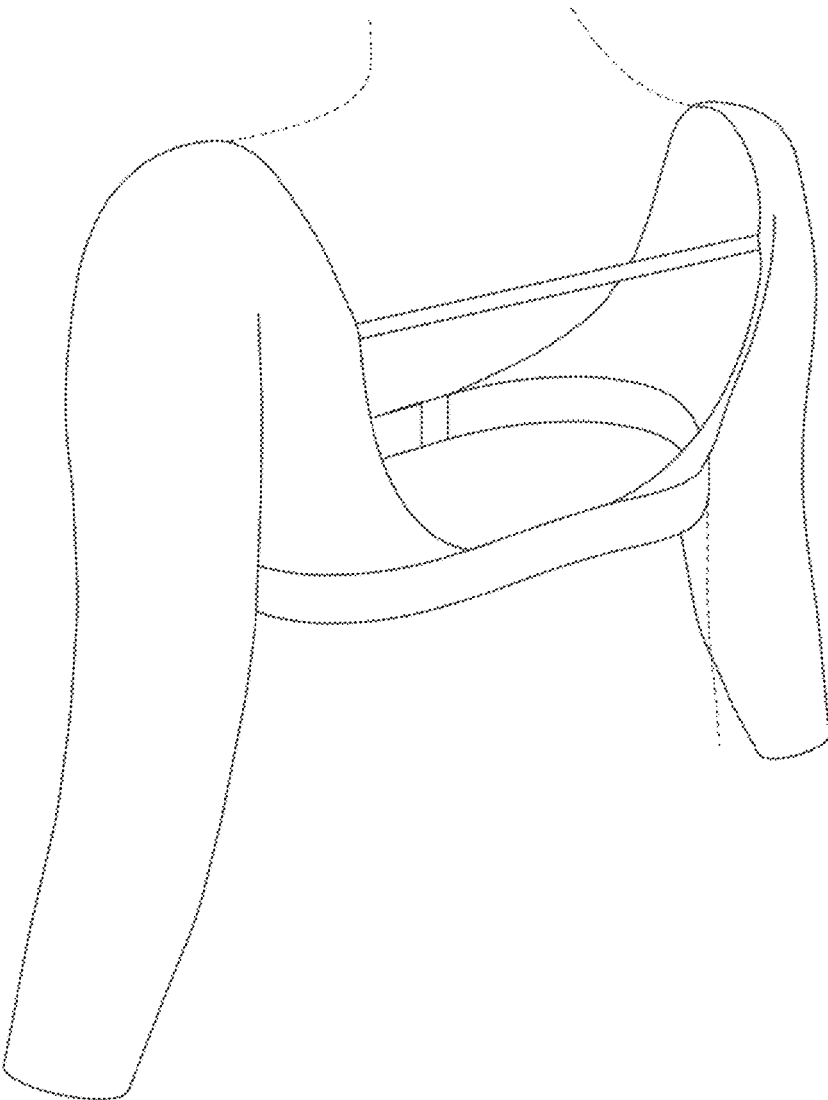


FIG. 2

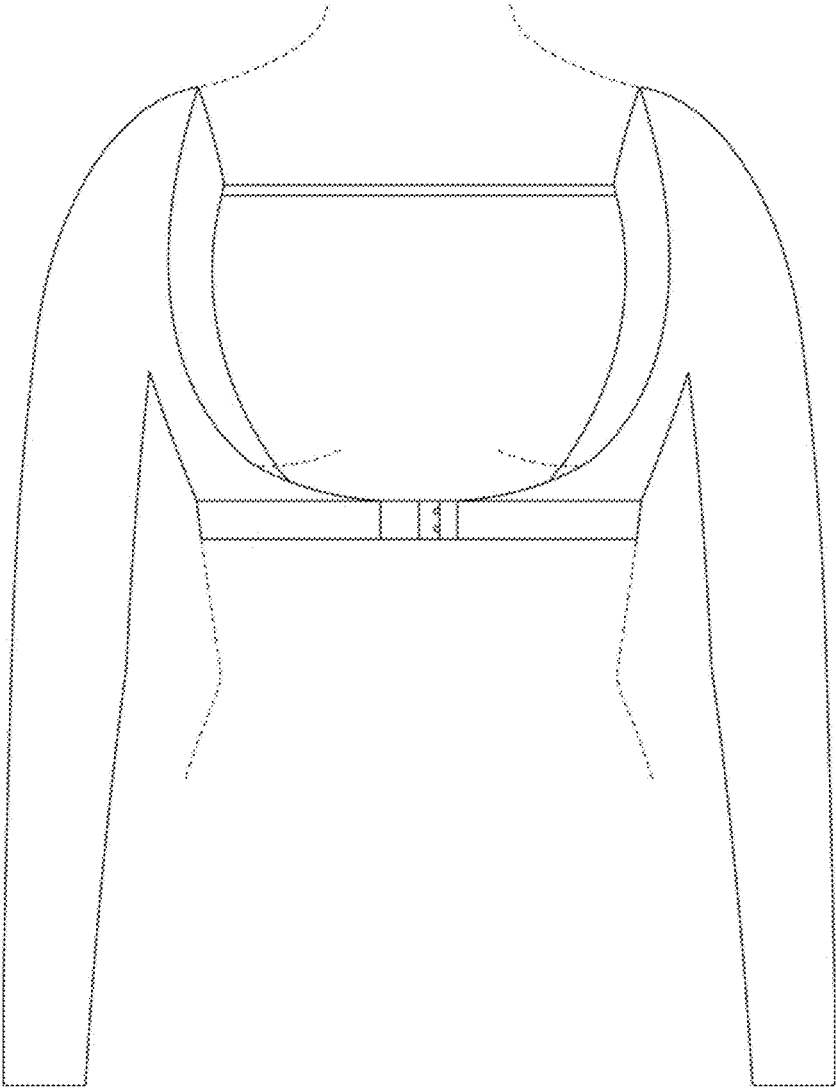


FIG. 3

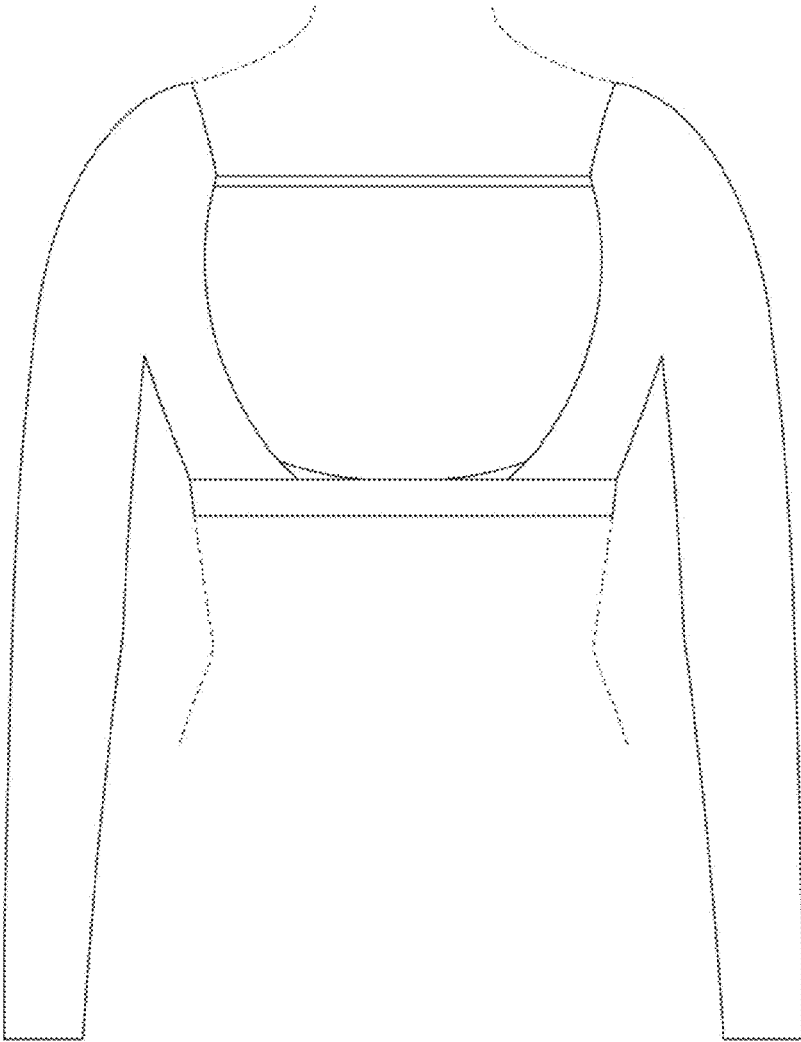


FIG.4

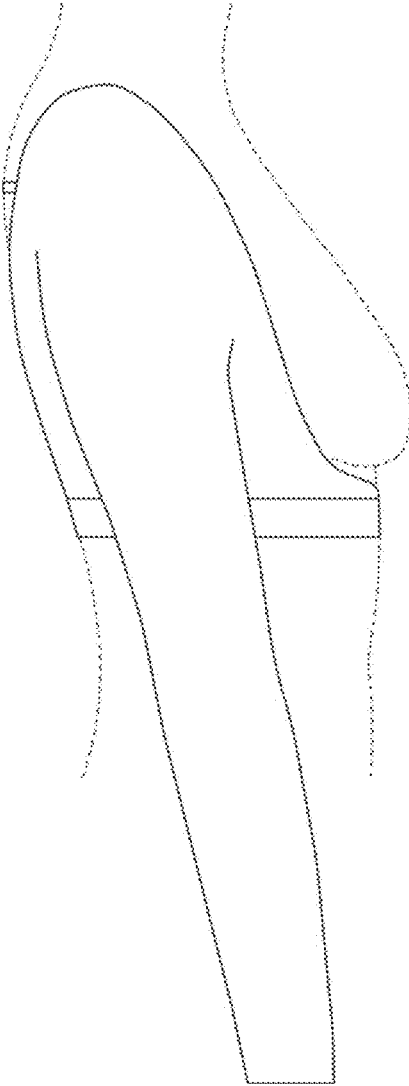


FIG. 5

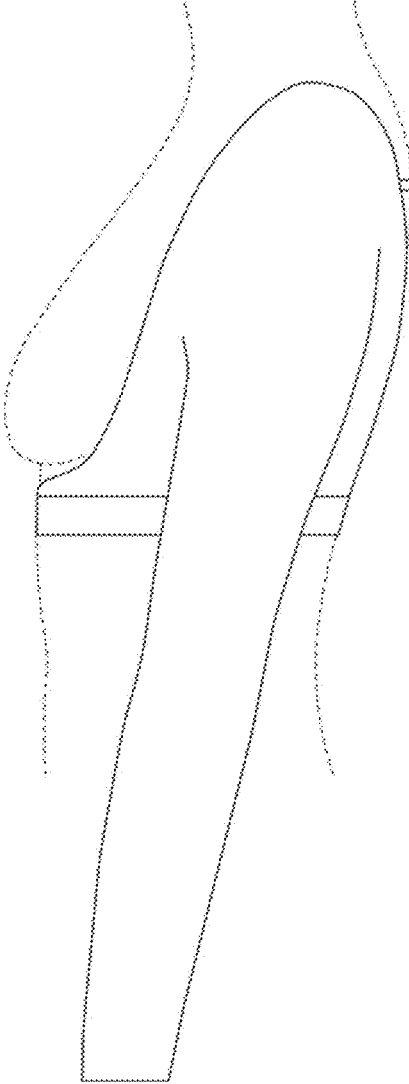


FIG. 6