



US00D737604S

(12) **United States Design Patent**
Bridger et al.

(10) **Patent No.:** **US D737,604 S**

(45) **Date of Patent:** **** Sep. 1, 2015**

(54) **DISPLAY STRUCTURE**

(71) Applicant: **Apple Inc.**, Cupertino, CA (US)

(72) Inventors: **Robert Bridger**, Woodside, CA (US);
Benjamin L. Fay, Palo Alto, CA (US);
Ronald Bruce Johnson, Atherton, CA (US);
Kully Kraig Mandon, San Francisco, CA (US)

(73) Assignee: **Apple Inc.**, Cupertino, CA (US)

(**) Term: **14 Years**

(21) Appl. No.: **29/434,595**

(22) Filed: **Oct. 15, 2012**

(51) **LOC (10) Cl.** **06-06**

(52) **U.S. Cl.**
USPC **D6/675**

(58) **Field of Classification Search**
USPC D6/332, 449, 466-468, 675, 682;
D20/10, 19, 43; D25/58; 211/86-90,
211/162, 187, 189, 194, 94, 94.5, 41.15,
211/169; 248/346.3, 346.03, 346.4, 346.5;
52/36.1, 239; 160/135, 351, 352
CPC A47B 57/58; A47B 5/08; A47B 5/0807
See application file for complete search history.

(56) **References Cited**

U.S. PATENT DOCUMENTS

2,364,870	A	12/1944	Otto	
3,646,696	A *	3/1972	Sarkisian	40/602
3,662,482	A *	5/1972	Sarkisian	40/602
D296,619	S *	7/1988	Charman	D6/332
4,784,205	A *	11/1988	Johnson et al.	160/351
D303,458	S *	9/1989	Zapf	D6/332
D305,582	S *	1/1990	Zapf	D6/332
5,018,291	A	5/1991	Pasquale et al.	
D318,383	S *	7/1991	Terrell et al.	D6/672
D322,187	S *	12/1991	Leis et al.	D6/681.1
D331,917	S *	12/1992	DuBrucq	D13/155

D332,018	S *	12/1992	De Pas et al.	D6/682.6
D346,829	S	5/1994	Keefe	
5,618,141	A	4/1997	Field	
D392,474	S	3/1998	Frasketi	
D397,562	S *	9/1998	DePottey et al.	D6/675
D420,223	S *	2/2000	Chipman et al.	D6/332
D420,519	S *	2/2000	Chen	D6/332
D421,249	S *	2/2000	Rooyackers et al.	D13/184
D422,796	S *	4/2000	Milligan et al.	D6/332
D450,465	S *	11/2001	Overthun et al.	D6/332
D458,773	S *	6/2002	Battaglia et al.	D6/678.4
D466,331	S *	12/2002	Chang	D6/681.1
D476,818	S	7/2003	Stravitz	
D506,331	S *	6/2005	Quintal	D6/708

(Continued)

Primary Examiner — Kelley Donnelly

(74) *Attorney, Agent, or Firm* — Sterne, Kessler, Goldstein & Fox P.L.L.C.

(57) **CLAIM**

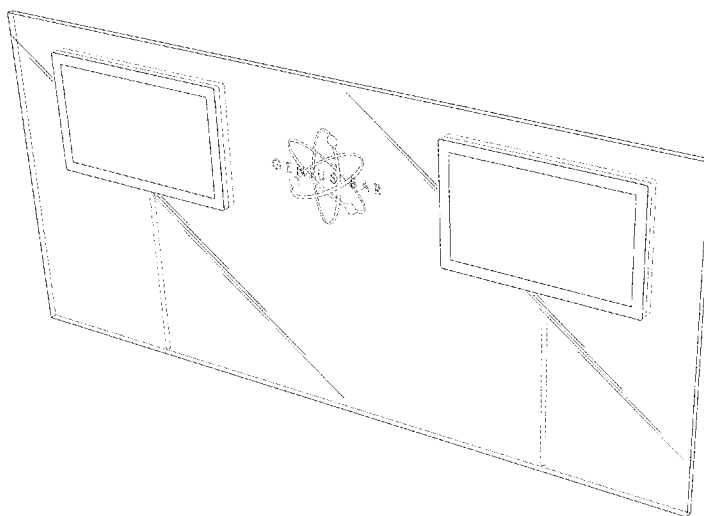
The ornamental design for a display structure, as shown and described.

DESCRIPTION

FIG. 1 is a top front perspective view of an embodiment of a display structure showing our new design;
 FIG. 2 is a front view thereof;
 FIG. 3 is a rear view thereof;
 FIG. 4 is a right side view thereof;
 FIG. 5 is a left side view thereof;
 FIG. 6 is a top view thereof;
 FIG. 7 is a bottom view thereof;
 FIG. 8 is a front perspective view thereof showing a broken-line environmental table in use with the display structure; and,
 FIG. 9 is a side view of the broken-line environmental table and display structure of FIG. 8.

The broken lines in the Figures show portions of the display structure and environment which form no part of the claimed design. The oblique lines in the Figures show transparency and not surface ornamentation.

1 Claim, 7 Drawing Sheets



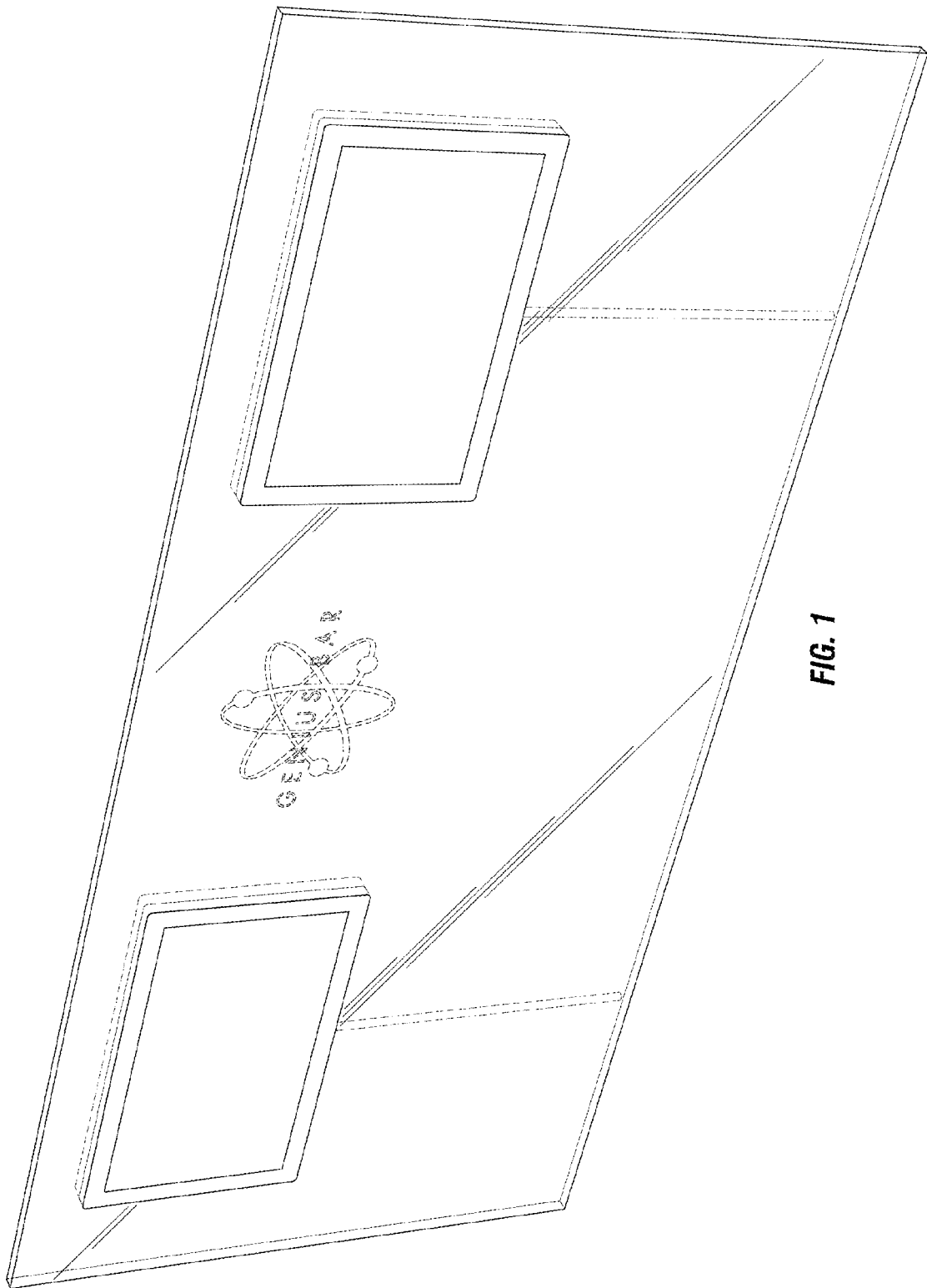


FIG. 1

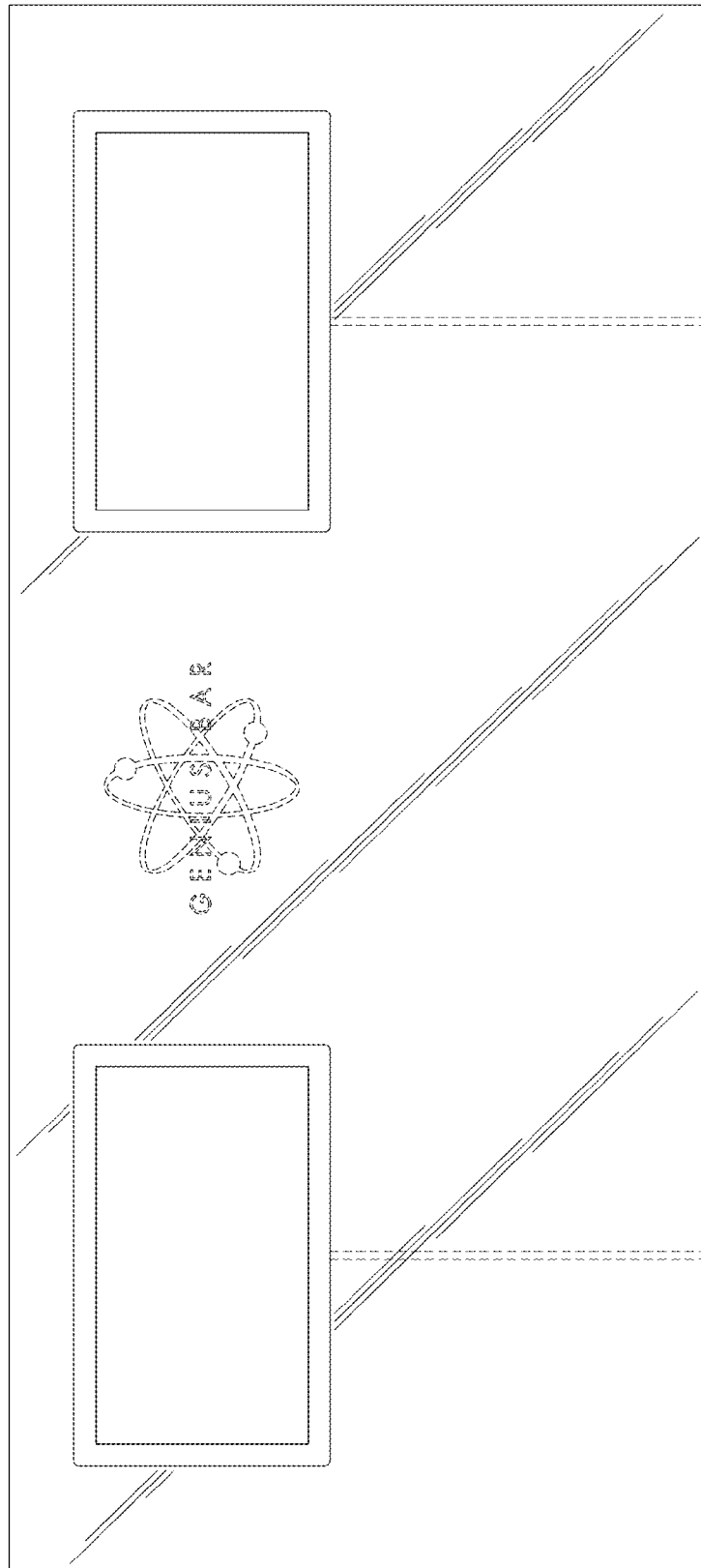


FIG. 2

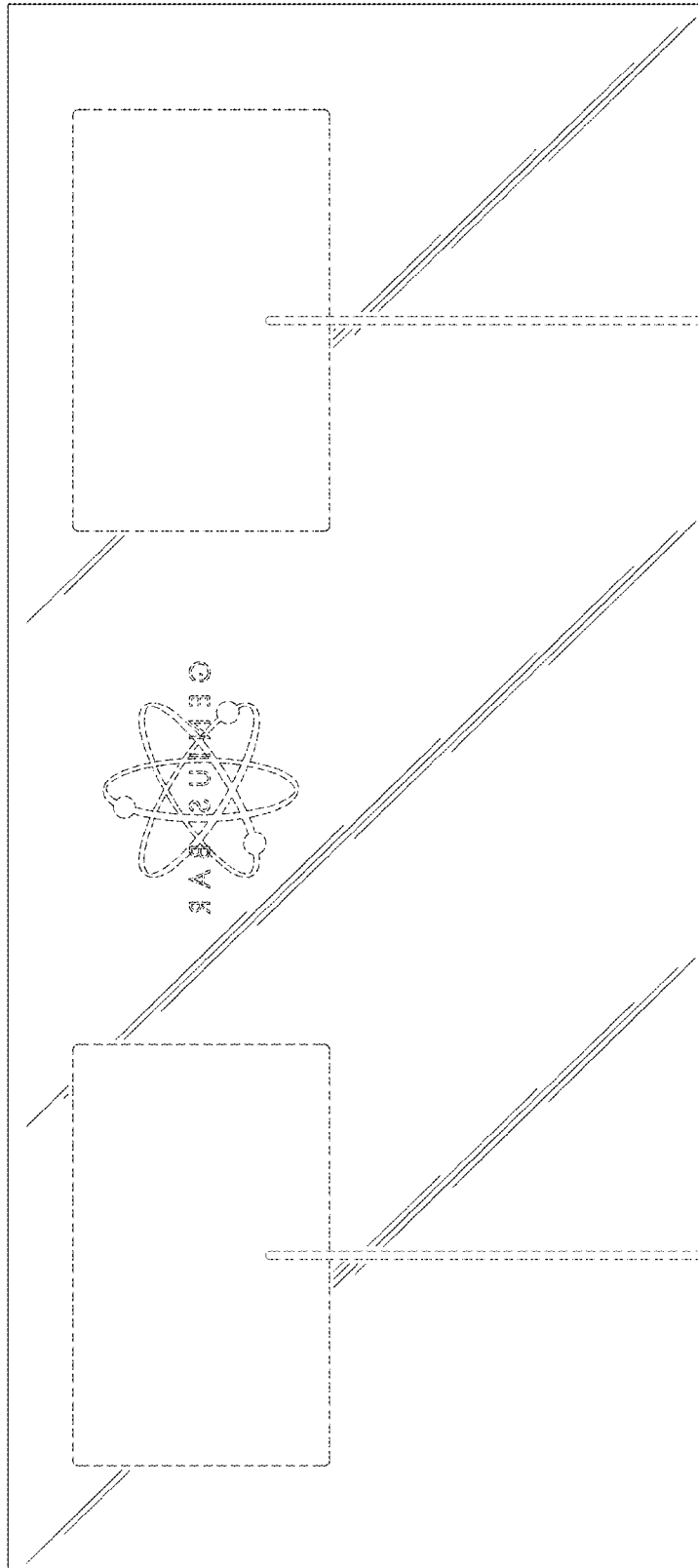


FIG. 3

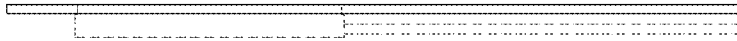


FIG. 5

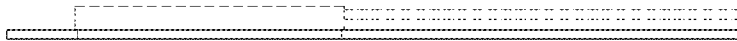


FIG. 4



FIG. 6



FIG. 7

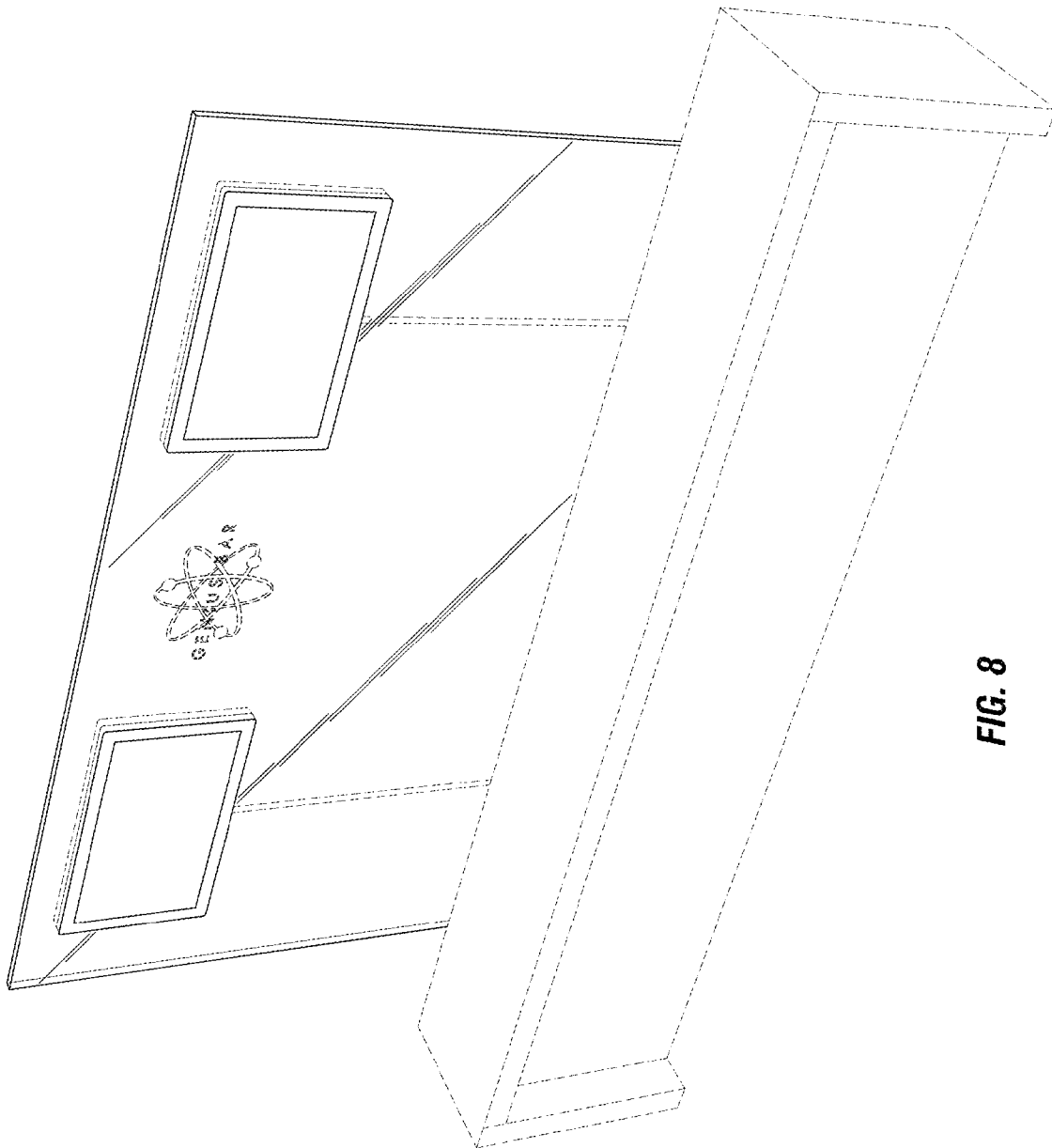


FIG. 8

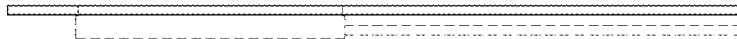


FIG. 9

UNITED STATES PATENT AND TRADEMARK OFFICE
CERTIFICATE OF CORRECTION

PATENT NO. : D737,604 S
APPLICATION NO. : 29/434595
DATED : September 1, 2015
INVENTOR(S) : Bridger et al.

Page 1 of 1

It is certified that error appears in the above-identified patent and that said Letters Patent is hereby corrected as shown below:

Title Page, item (57) in the "DESCRIPTION" section of the issued patent, replace "FIG. 1 is a top front perspective view of an embodiment of a display structure showing our new design;" with --FIG. 1 is a top front perspective view of an embodiment of a display structure showing our new design;--.

Signed and Sealed this
Twelfth Day of January, 2016



Michelle K. Lee
Director of the United States Patent and Trademark Office