



US00D972467S

(12) **United States Design Patent** (10) **Patent No.:** **US D972,467 S**
Ni et al. (45) **Date of Patent:** **** Dec. 13, 2022**

(54) **REAR BUMPER FOR AN AUTOMOBILE**
(71) Applicant: **TOYOTA JIDOSHA KABUSHIKI KAISHA**, Toyota (JP)
(72) Inventors: **Miaojie Ni**, Tianjin (CN); **Makoto Takahashi**, Novi, MI (US)
(73) Assignee: **TOYOTA JIDOSHA KABUSHIKI KAISHA**, Toyota (JP)
(**) Term: **15 Years**

D683,285 S * 5/2013 Yoshida D12/169
D769,780 S * 10/2016 Lesnik D12/164
D819,523 S * 6/2018 Yamamoto D12/169
D833,330 S * 11/2018 Sakai D12/91
D838,638 S * 1/2019 Wada D12/169
D854,982 S * 7/2019 Horie D12/169
D854,983 S * 7/2019 Katou D12/169
D856,208 S * 8/2019 Takahashi D12/169
D864,803 S * 10/2019 Sakai D12/169
D886,003 S * 6/2020 Kusunoki D12/169
D887,914 S * 6/2020 Utsunomiya D12/169
D904,248 S * 12/2020 Katou D12/169
D904,249 S * 12/2020 Bischoff D12/169
D904,941 S * 12/2020 Utsunomiya D12/169

(Continued)

(21) Appl. No.: **29/785,376**

(22) Filed: **May 25, 2021**

(51) **LOC (13) Cl.** **12-16**

(52) **U.S. Cl.**
USPC **D12/169**

(58) **Field of Classification Search**
USPC D12/169, 196, 86, 90-92, 163, 190, 98,
D12/164; 293/102, 113, 115, 117, 120,
293/193.11; 296/180.1, 180.2
CPC B60R 19/02; B60R 19/04; B62D 25/08
See application file for complete search history.

(56) **References Cited**

U.S. PATENT DOCUMENTS

D561,070 S * 2/2008 Gresens D12/169
D561,071 S * 2/2008 Golden D12/169
D566,017 S * 4/2008 Pfeiffer D12/169
D585,002 S * 1/2009 Tamura D12/169
D592,570 S * 5/2009 Lamm D12/169
D605,568 S * 12/2009 Ward D12/169
D609,614 S * 2/2010 Okue D12/169
D631,407 S * 1/2011 Kuze D12/169
D640,613 S * 6/2011 Bauer D12/169
D644,573 S * 9/2011 Bauer D12/169
D644,578 S * 9/2011 Messale D12/169
D653,593 S * 2/2012 Nishihama D12/169
D675,140 S * 1/2013 Ohkoshi D12/169
D683,282 S * 5/2013 Fuchigami D12/169

OTHER PUBLICATIONS

netcarshow.com, Toyota Highlander XSE (2021), <https://www.netcarshow.com/toyota/2021-highlander_xse/>, available as early as Jul. 27, 2020.

(Continued)

Primary Examiner — Melody N Brown
(74) *Attorney, Agent, or Firm* — Saidman DesignLaw Group, LLC

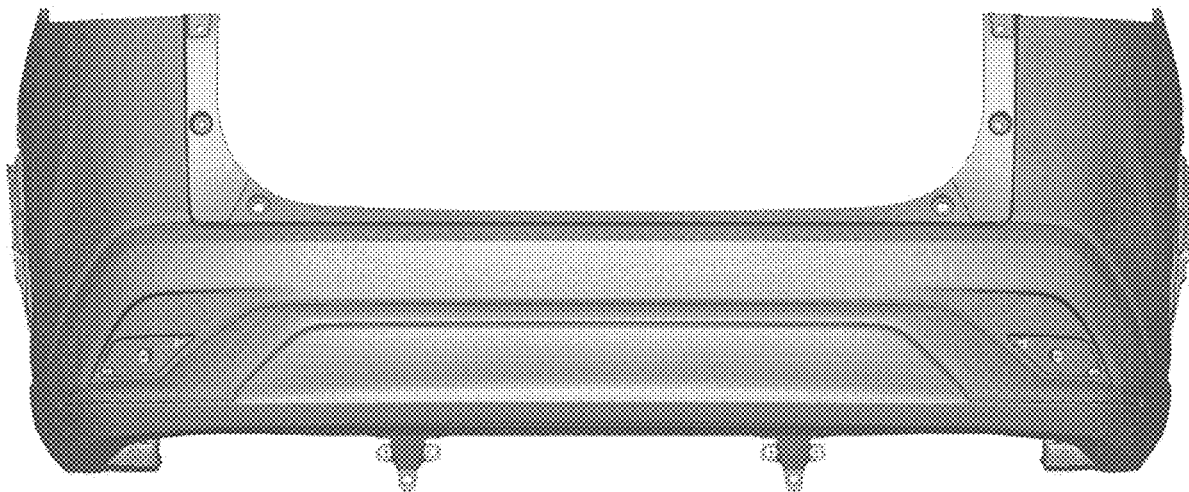
(57) **CLAIM**

The ornamental design for a rear bumper for an automobile, as shown and described.

DESCRIPTION

FIG. 1 is a perspective view of a rear bumper for an automobile showing our new design;
FIG. 2 is a front view thereof;
FIG. 3 is a rear view thereof;
FIG. 4 is a right side view thereof;
FIG. 5 is a left side view thereof;
FIG. 6 is a top view thereof; and,
FIG. 7 is a bottom view thereof.

1 Claim, 7 Drawing Sheets



(56)

References Cited

U.S. PATENT DOCUMENTS

D913,876	S	*	3/2021	Bischoff	D12/169
D934,134	S	*	10/2021	Giumentaro	D12/169
D934,751	S	*	11/2021	Taubert	D12/169
D934,754	S	*	11/2021	Minamiyama	D12/169
D935,357	S	*	11/2021	Akçay	D12/169
D935,955	S	*	11/2021	Hayashi	D12/169
D938,322	S	*	12/2021	Hirai	D12/169
D938,867	S	*	12/2021	Becker	D12/169
D958,018	S	*	7/2022	Murabayashi	D12/169
D958,024	S	*	7/2022	Nakagawa	D12/169
D958,026	S	*	7/2022	Nakagawa	D12/169

OTHER PUBLICATIONS

netcarshow.com, Hyundai Kona (2018), <<https://www.netcarshow.com/hyundai/2018-kona/>>, available as early as Jul. 27, 2020.

* cited by examiner

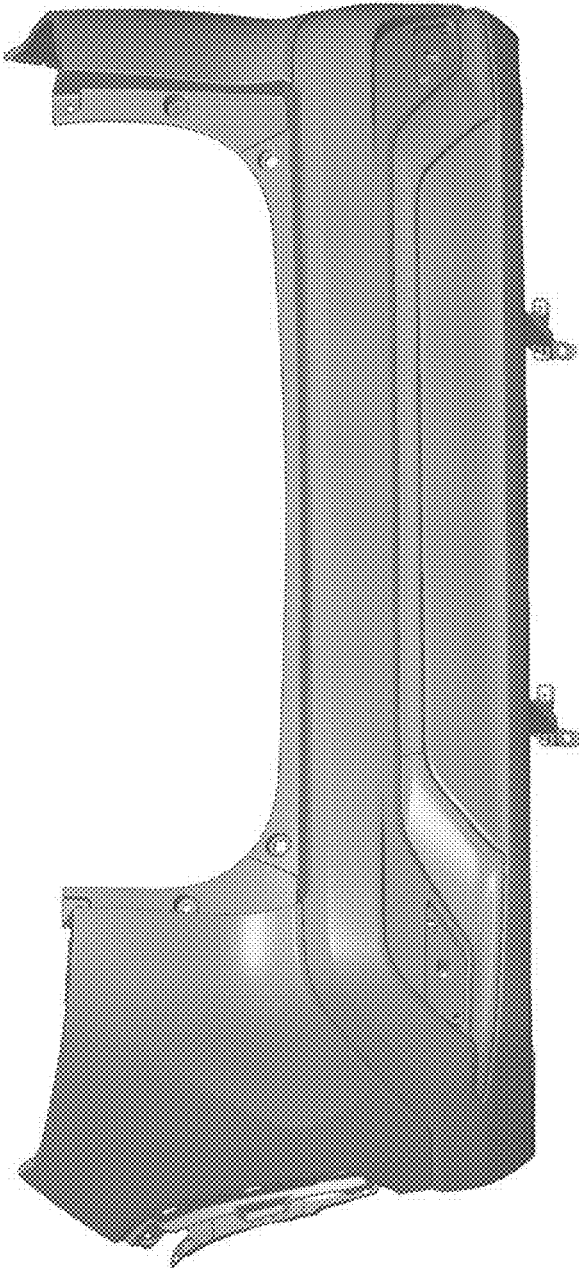


FIG. 1

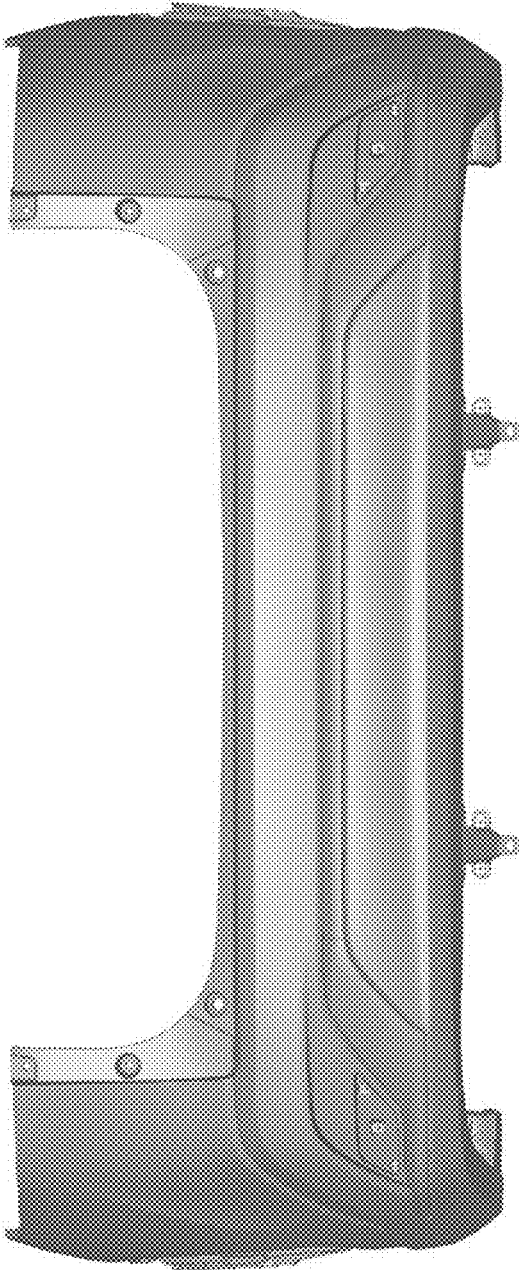


FIG. 2

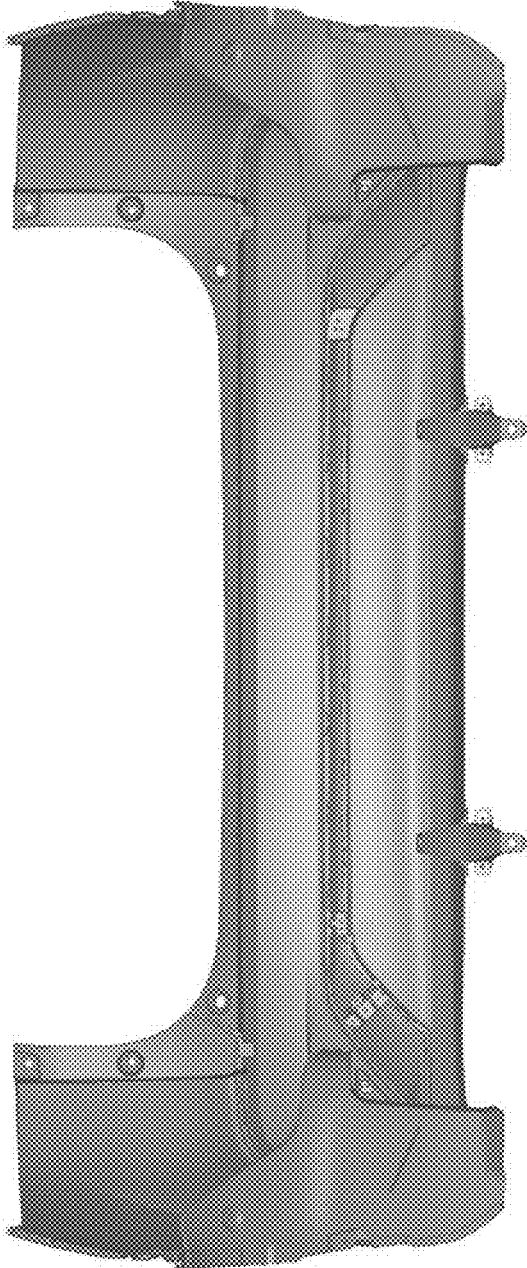


FIG. 3

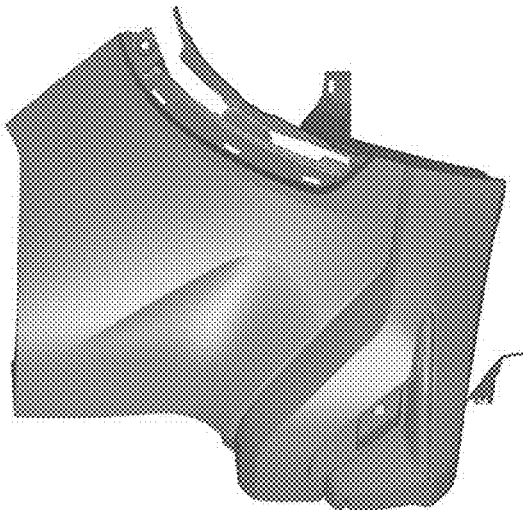


FIG. 4

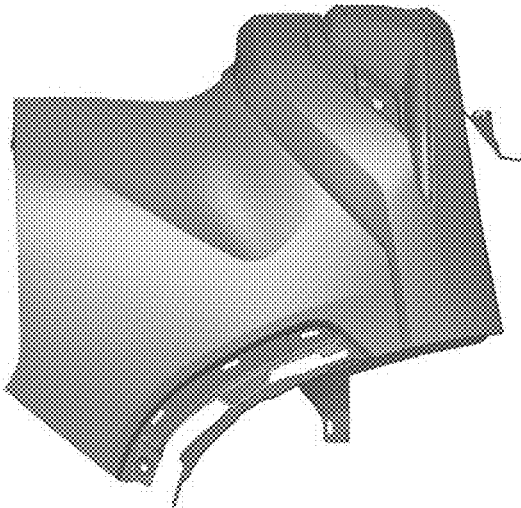


FIG. 5

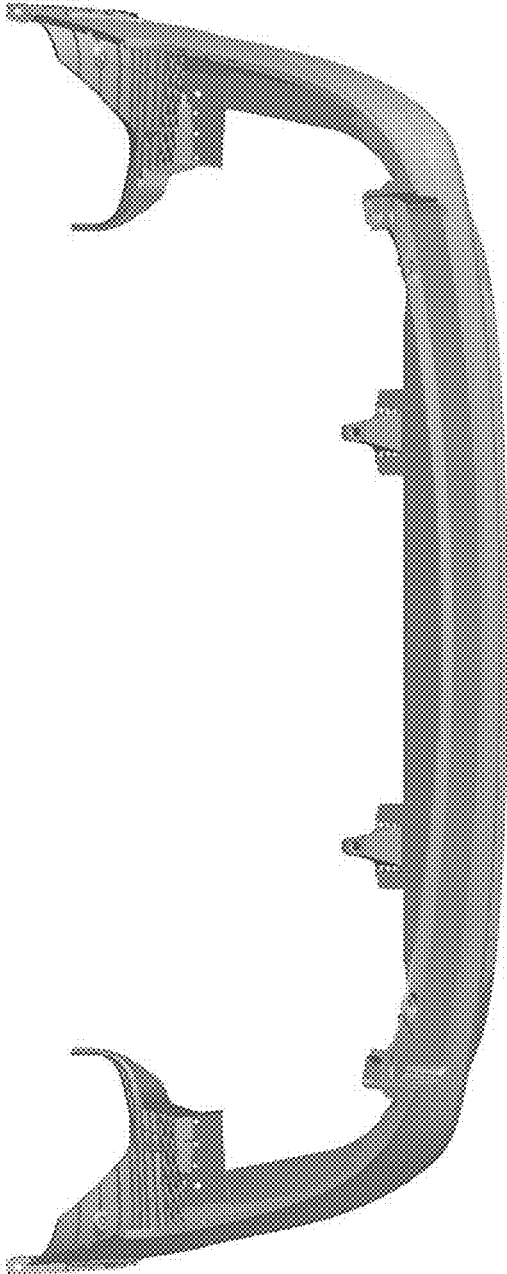


FIG. 6

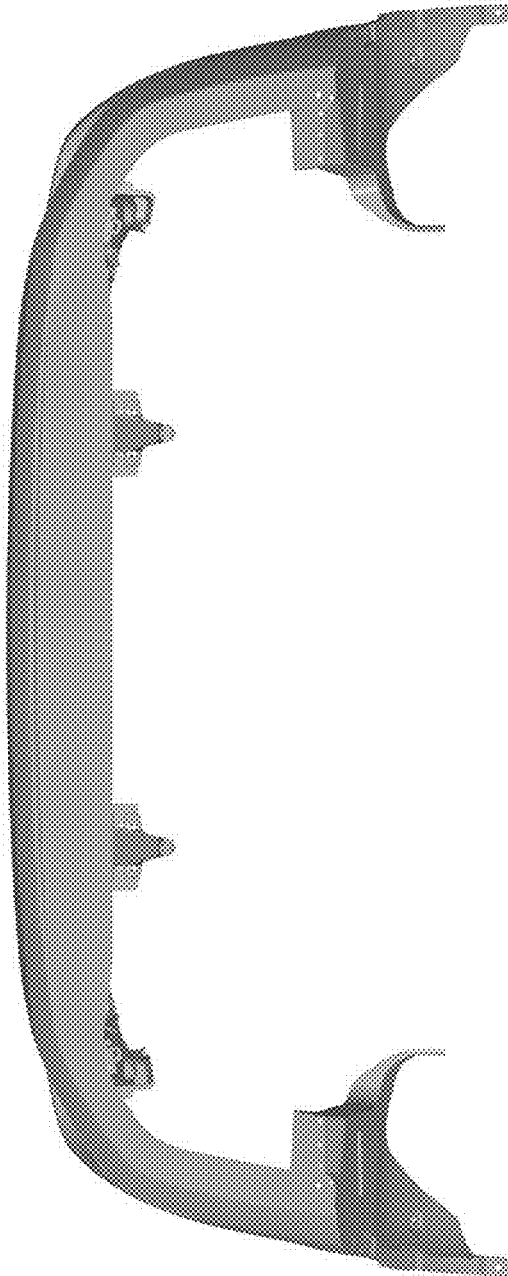


FIG. 7