



US00D966810S

(12) **United States Design Patent** (10) **Patent No.:** **US D966,810 S**
Martin et al. (45) **Date of Patent:** **** Oct. 18, 2022**

(54) **GAS BURNER SET**

Primary Examiner — Mary Ann Calabrese

(71) Applicant: **Electrolux Home Products, Inc.**,
Charlotte, NC (US)

Assistant Examiner — Natalya M Rapundalo

(74) *Attorney, Agent, or Firm* — Pearne & Gordon LLP

(72) Inventors: **Brian Martin**, Nashville, TN (US);
Michael Dennis Padgett, Springfield,
TN (US); **Warren Fowler**, Springfield,
TN (US)

(57) **CLAIM**

We claim the ornamental design for a gas burner set, as shown and described.

(73) Assignee: **Electrolux Home Products, Inc.**,
Charlotte, NC (US)

DESCRIPTION

(**) Term: **15 Years**

(21) Appl. No.: **29/802,326**

(22) Filed: **Aug. 4, 2021**

Related U.S. Application Data

(62) Division of application No. 29/714,865, filed on Nov. 26, 2019, now Pat. No. Des. 932,240.

(51) **LOC (13) Cl.** **07-02**

(52) **U.S. Cl.**
USPC **D7/407**

(58) **Field of Classification Search**
USPC D7/323, 328–330, 332–351, 354, 358,
D7/360, 361, 372, 373, 378, 386, 387,
(Continued)

FIGS. 1-8 illustrate a first embodiment of a gas burner set in which:

FIG. 1 is a perspective view showing the gas burner set on an example cooktop;

FIG. 2 is a perspective view of the gas burner set;

FIG. 3 is a top view thereof;

FIG. 4 is a bottom view thereof;

FIG. 5 is a front view thereof;

FIG. 6 is a left side view thereof;

FIG. 7 is a rear view thereof; and

FIG. 8 is a right side view thereof.

FIGS. 9-15 illustrate a second embodiment of the gas burner set in which:

FIG. 9 is a perspective view of the gas burner set;

FIG. 10 is a top view thereof;

FIG. 11 is a bottom view thereof;

FIG. 12 is a front view thereof;

FIG. 13 is a left side view thereof;

FIG. 14 is a rear view thereof; and,

FIG. 15 is a right side view thereof.

Dashed broken lines are used in the drawings to illustrate environment and portions of the gas burner set that form no part of the claimed design. Dot-dash lines are used on the burner set to represent a boundary of the claim and dot-dash lines are used on the stovetop to represent environment that is broken away to better visualize features of the design, and both form no part of the claimed design.

(56) **References Cited**

U.S. PATENT DOCUMENTS

D491,411 S * 6/2004 De Mello D7/340

D610,863 S * 3/2010 Kim D7/340

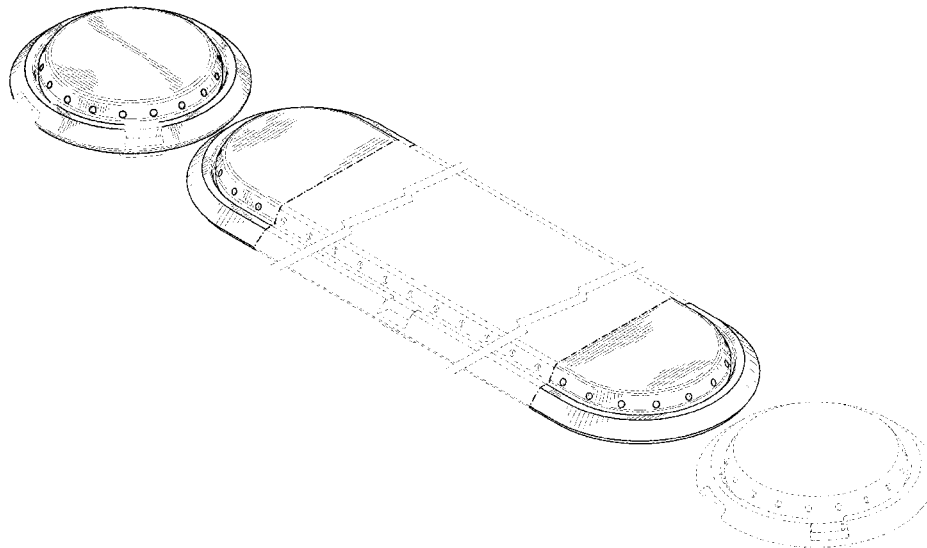
(Continued)

OTHER PUBLICATIONS

30 Gas Cooktop, Electrolux, [online], [site visited Mar. 10, 2022], Available from internet URL: <https://www.electrolux.com/en/product/ECCG3068AS> (Year: 2022).*

(Continued)

1 Claim, 7 Drawing Sheets



(58) **Field of Classification Search**

USPC D7/393, 400, 402, 405-409, 509, 511,
 D7/533, 534, 536, 601, 602, 629, 679,
 D7/700
 CPC A47J 27/00; A47J 27/004; A47J 27/08;
 A47J 27/086; A47J 27/09; A47J 27/21;
 A47J 33/00; A47J 36/26; A47J 37/06;
 A47J 37/0623; A47J 37/0647; A47J
 37/0652; A47J 37/0658; A47J 37/07;
 A47J 37/0704; A47J 37/0713; A47J
 37/0763; A47J 37/101; A47J 37/108;
 A47J 43/00; A47J 47/00; F24C 1/16;
 F24C 3/00; F24C 3/002; F24C 3/008;
 F24C 3/022; F24C 3/027; F24C 3/08;
 F24C 3/082; F24C 3/085; F24C 3/14;
 F24C 15/10; F24C 15/12; F24C 15/36

See application file for complete search history.

D790,274 S 6/2017 Martin
 D804,245 S 12/2017 Segers
 D817,706 S 5/2018 Kim
 D832,047 S 10/2018 Hu
 D840,738 S 2/2019 Chung
 D874,221 S 2/2020 Kim
 D894,663 S 9/2020 Harrell
 D922,122 S * 6/2021 Ryu D7/340
 D926,520 S * 8/2021 Duffy D7/407
 2010/0104992 A1 4/2010 Padgett
 2011/0265781 A1 11/2011 Kim
 2018/0023815 A1 1/2018 Duffy
 2019/0383497 A1 12/2019 Cowan
 2020/0182474 A1 6/2020 Martin
 2021/0095854 A1* 4/2021 Trice F24C 15/18
 2021/0116130 A1 4/2021 Duffy et al.
 2021/0148572 A1 5/2021 Padgett et al.
 2022/0018534 A1* 1/2022 Caloca F23D 11/402

OTHER PUBLICATIONS

(56)

References Cited

U.S. PATENT DOCUMENTS

D628,431 S 12/2010 Funnell
 D653,900 S * 2/2012 Kim D7/340
 D655,128 S 3/2012 Kim
 D685,602 S * 7/2013 Lee D7/340
 D731,845 S 6/2015 Kim
 D745,321 S * 12/2015 Koch F24C 15/18
 D7/407
 D766,036 S 9/2016 Koch
 D767,326 S 9/2016 Shoemaker
 D781,096 S * 3/2017 Kim F23D 11/402
 D7/339
 D782,863 S 4/2017 Kamper
 D785,398 S 5/2017 Kim
 D786,005 S * 5/2017 Kim D7/346
 D786,608 S * 5/2017 Cho D7/339

Design No. D091266-017, Jan. 25, 2016—European Union IPO.
 Pub date: Jul. 8, 2016. Owner: Electrolux Home Products, Inc. for
 Robert Warrent, et al.
 LG—5.4 Cu. Ft. Self cleaning freestanding Gas Convection Range,
 Best Buy Online, last visited Dec. 11, 2020.
 Design No. 2099739 UK Intellectual Property Office, Publication
 date: Sep. 9, 2001, Bosch Siemens.
 Design No. IDD 0000022283-001, WIPO, Publication date: Sep.
 16, 2011, Daryanto Darmadi.
 Electrolux ECCG3668AS 36 Inch Gas Sealed Burner Cooktop,
 Appliances connection. 2021 [https://www.appliancesconnection.
 com/electrolux-eccg3668as.html](https://www.appliancesconnection.com/electrolux-eccg3668as.html).
 Electrolux ECCG3668AS Manual, Appliances connection 2021.
[https://static.appliancesconnection.com/attachments/
 D602aa4031d320](https://static.appliancesconnection.com/attachments/D602aa4031d320).

* cited by examiner

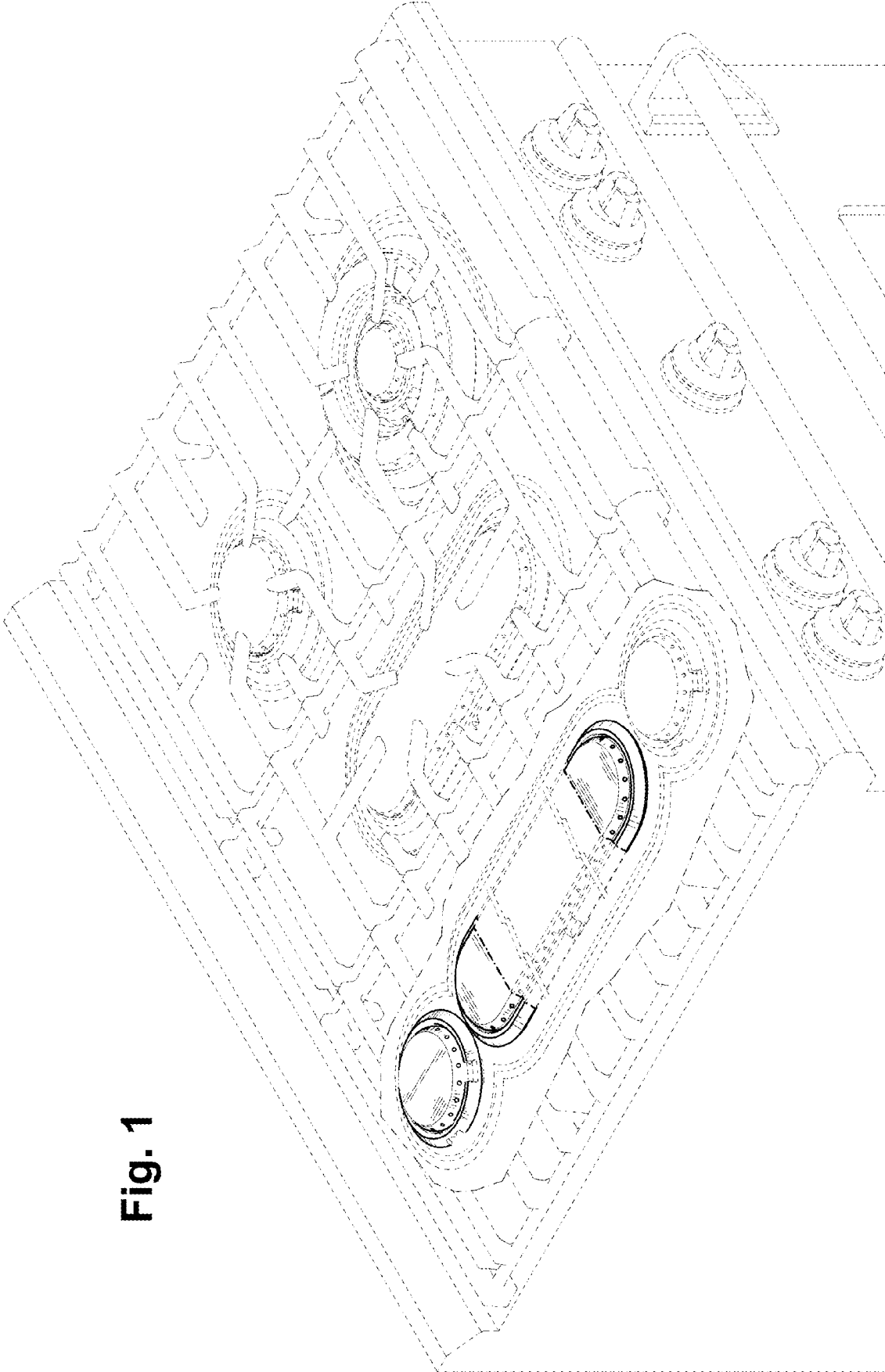


Fig. 1

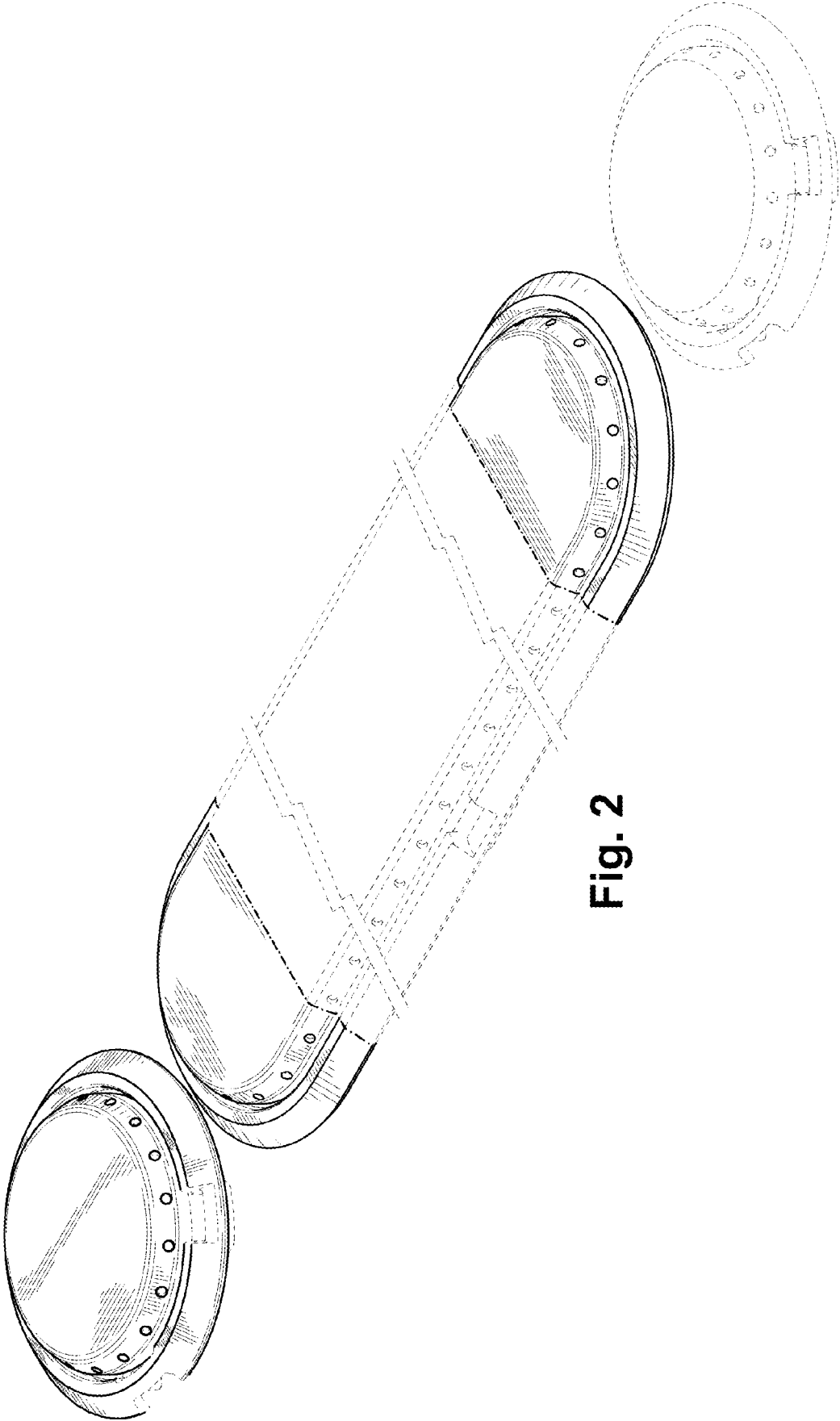


Fig. 2

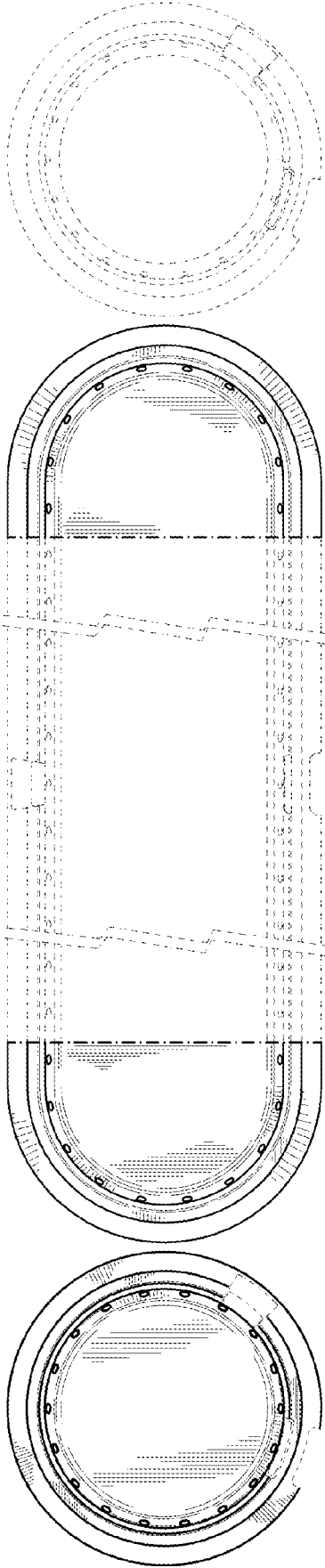


Fig. 3

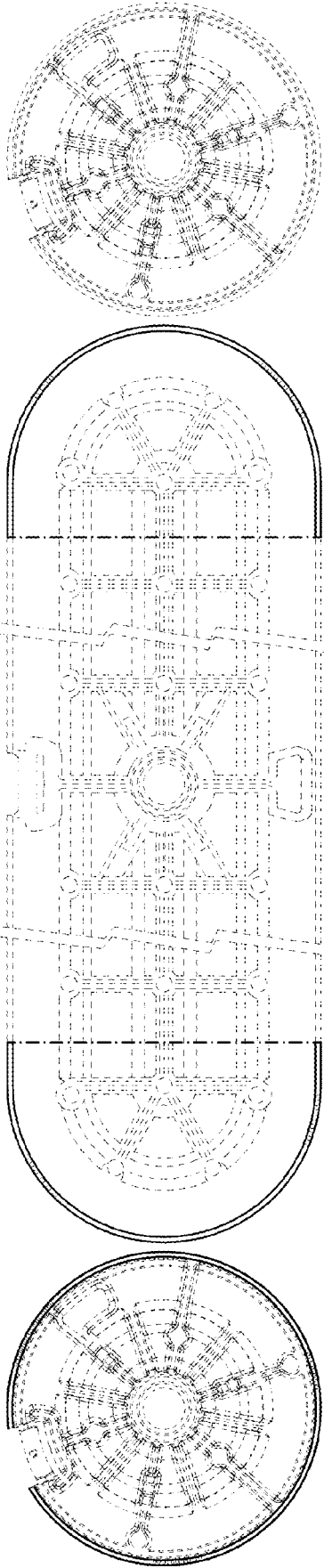


Fig. 4

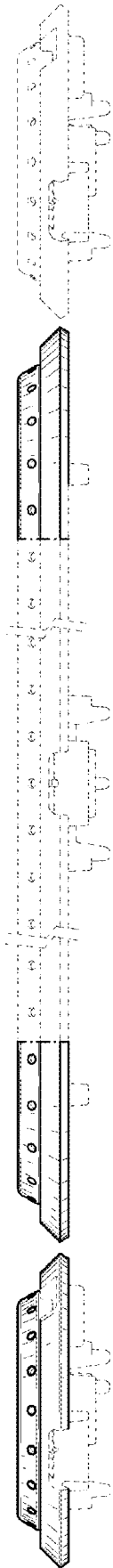


Fig. 5

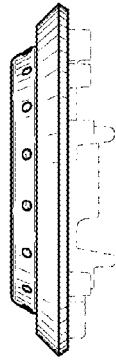


Fig. 6



Fig. 7



Fig. 8

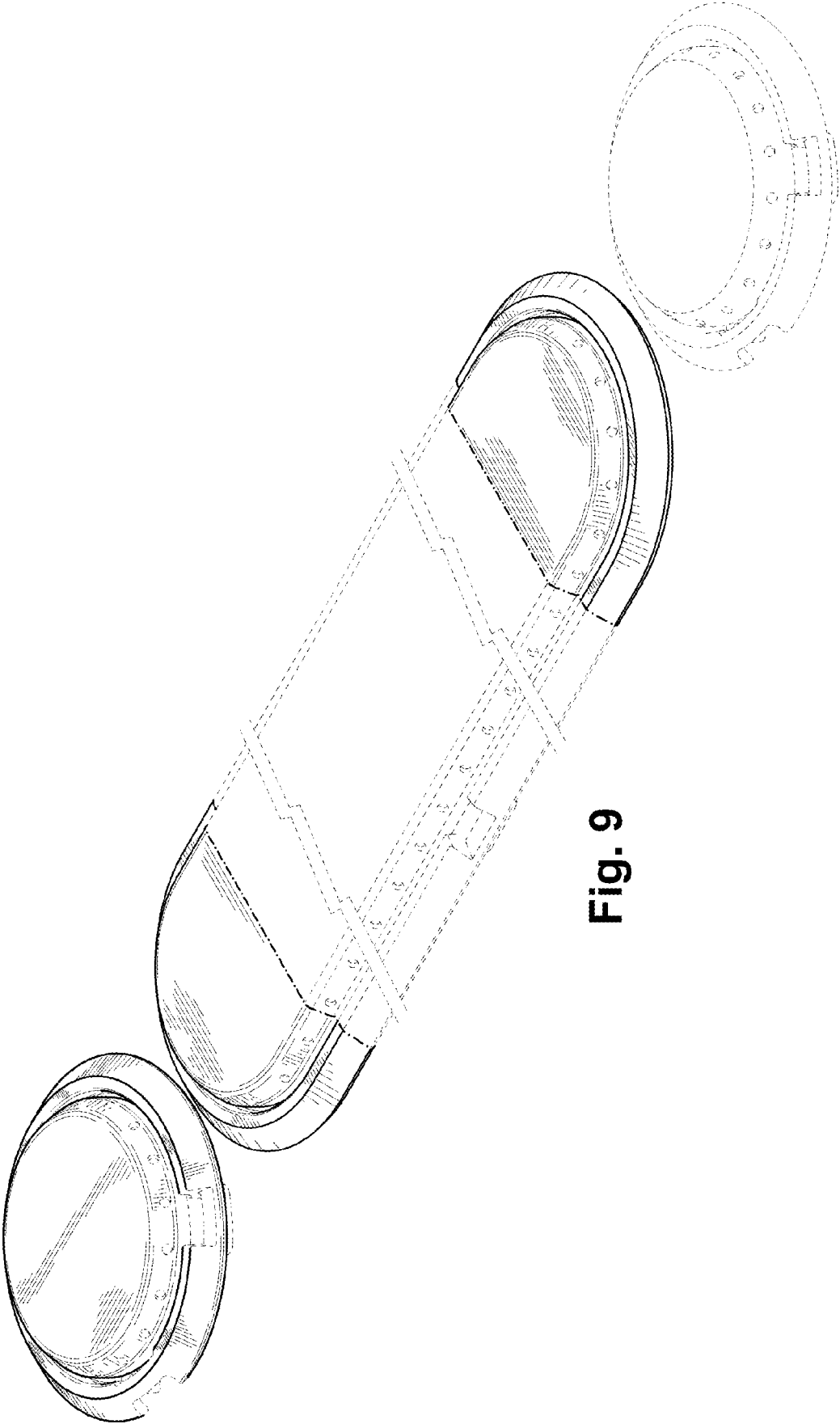


Fig. 9

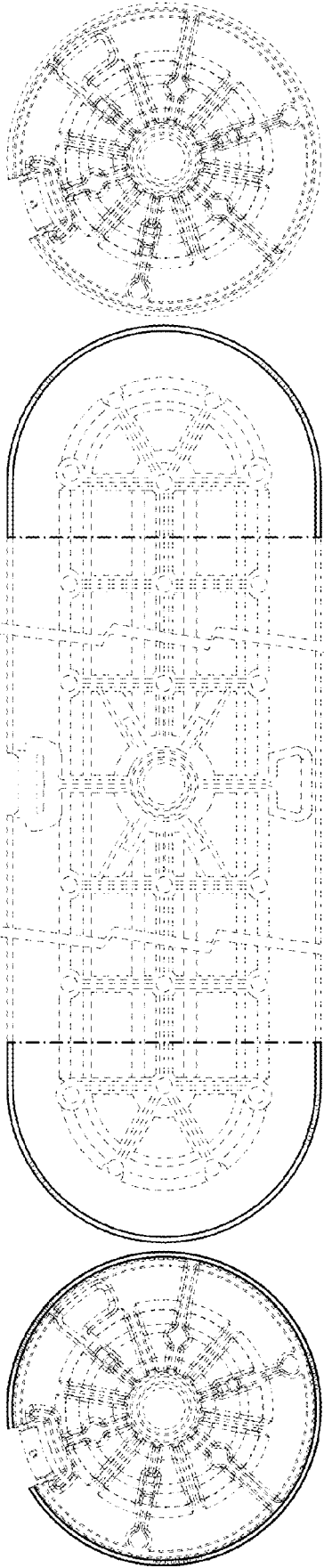
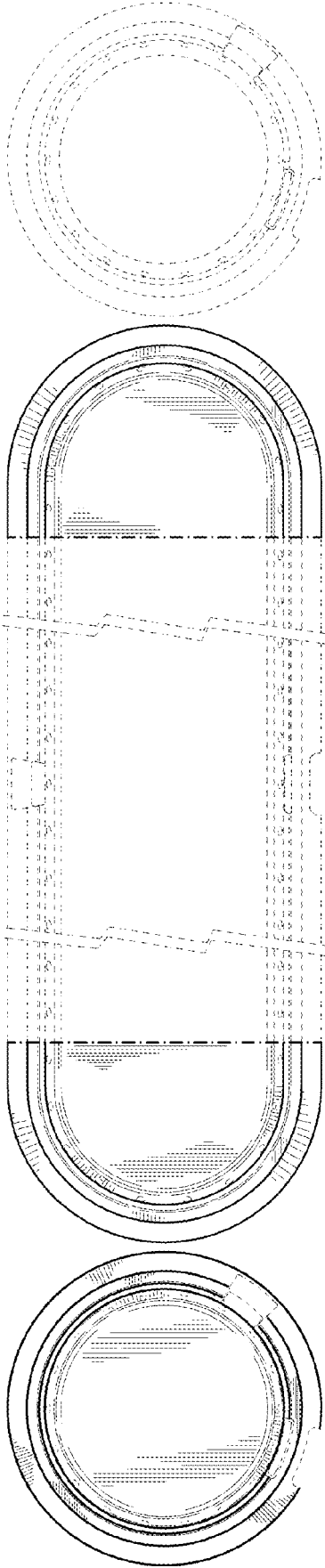




Fig. 12

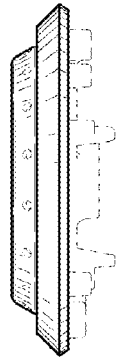


Fig. 13

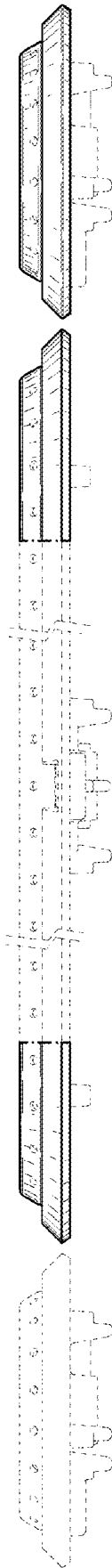


Fig. 14



Fig. 15