



US00D534253S

(12) **United States Design Patent** (10) **Patent No.:** **US D534,253 S**
Sandman et al. (45) **Date of Patent:** **** Dec. 26, 2006**

(54) **GASKET**
(75) Inventors: **Michael N. Sandman**, Morrow, OH (US); **Joseph P. Sandman**, Morrow, OH (US)
(73) Assignee: **Langdon Incorporated**, Cincinnati, OH (US)
(**) Term: **14 Years**
(21) Appl. No.: **29/226,158**
(22) Filed: **Mar. 24, 2005**
(51) **LOC (8) Cl.** **23-01**
(52) **U.S. Cl.** **D23/269; D23/393**
(58) **Field of Classification Search** **D23/269, D23/262, 393; 285/370, 232, 95; 277/910**
See application file for complete search history.

SE 19819 6/1975
SE 17788 12/1975
SE 382675 2/1976
SE 25473 3/1979
SE 25610 8/1979
SE 26059 11/1979
SE 26995 11/1979

OTHER PUBLICATIONS

Lindab AB, *Product Catalog entitled "Ducts and Fittings"*, Caswell Road, Brackmills Industrial Estate, Northampton NN4 0BR, 1987.

Primary Examiner—Robin Webster
(74) *Attorney, Agent, or Firm*—Wood, Herron & Evans, LLP

(57) **CLAIM**

The ornamental design for a gasket, as shown and described.

DESCRIPTION

The present application is related to U.S. Ser. No. 11/088,541, entitled Gasket Sealing System For Ductwork and U.S. Design Ser. No. 29/226,140, entitled Portion Of Ductwork, filed on even date herewith.

FIG. 1 is a perspective view of a gasket incorporating the design of our new invention according to a first embodiment;

FIG. 2 is a rear view of the gasket of FIG. 1;

FIG. 3 is a front view of the gasket of FIG. 1;

FIG. 4 is a side view of the gasket of FIG. 1, the top, bottom and other side views thereof being identical;

FIG. 5 is a cross-sectional view taken along line 5—5 of FIG. 3;

FIG. 6 is a perspective view of a gasket incorporating the design of our invention according to a second embodiment;

FIG. 7 is a rear view of the gasket of FIG. 6;

FIG. 8 is a front view of the gasket of FIG. 6;

FIG. 9 is a side view of the gasket of FIG. 6, the top, bottom and other side views being identical; and,

FIG. 10 is a cross-sectional view taken along line 10—10 of FIG. 8.

1 Claim, 5 Drawing Sheets

(56) **References Cited**

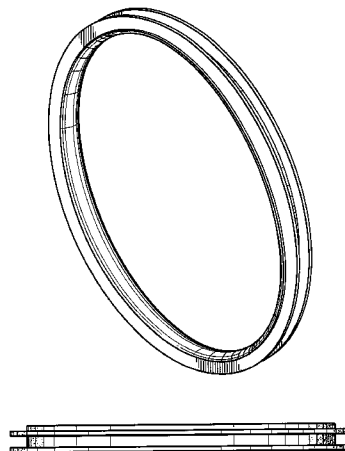
U.S. PATENT DOCUMENTS

193,847 A	8/1877	Choate	285/183
210,367 A	11/1878	Stern et al.	285/181
244,720 A	7/1881	Hildebrandt	285/181
409,631 A	8/1889	Cooper	285/183
735,644 A	8/1903	Wirtz	285/419
904,199 A	11/1908	Harris	285/382
910,119 A	1/1909	Dunn et al.	285/183
997,072 A	7/1911	Mares	285/183
1,083,002 A	12/1913	Charls	285/411

(Continued)

FOREIGN PATENT DOCUMENTS

AT	363743	8/1981
DE	856283	11/1952
DE	954146	12/1956
GB	317678	8/1929
GB	442751	2/1936
GB	1403744	8/1975
GB	1429220	3/1976
GB	2149040	6/1985
SE	13987	7/1973



U.S. PATENT DOCUMENTS

2,392,220 A	1/1946	Bruhn et al.	285/211	D362,299 S	9/1995	Sonden et al.	D23/262	
2,482,558 A	9/1949	Scaringella	285/211	D362,300 S	9/1995	Sonden et al.	D23/262	
2,535,186 A	12/1950	Anderson	285/185	D368,516 S	*	4/1996	Matsumura	D23/269
2,818,084 A	12/1957	Tennison, Jr.	138/74	5,531,460 A	7/1996	Stefansson et al.	277/206 R	
2,823,703 A	2/1958	Nusser, Jr.	138/52	D377,829 S	2/1997	Andresen	D23/393	
3,081,102 A	3/1963	Murray et al.	277/168	D383,195 S	9/1997	Sonden et al.	D23/262	
3,111,922 A	11/1963	Hock	113/116	D386,246 S	11/1997	Sonden et al.	D23/262	
3,290,066 A	12/1966	Primich et al.	285/183	D391,628 S	*	3/1998	Carwile	D23/269
3,327,945 A	6/1967	Pfister	236/45	D427,667 S	7/2000	Stout, Jr.	D23/262	
3,368,830 A	2/1968	French	285/110	D427,668 S	7/2000	Stout, Jr.	D23/262	
3,829,107 A	8/1974	Machado et al.	277/207	D427,673 S	7/2000	Stout, Jr.	D23/393	
D234,462 S	3/1975	Ahlrot	D23/43	D430,482 S	9/2000	Stout, Jr.	D8/382	
3,955,834 A	5/1976	Ahlrot	285/110	D435,090 S	12/2000	Stout, Jr.	D23/269	
4,007,941 A	2/1977	Stancati	277/178	D437,034 S	1/2001	Stout, Jr.	D23/269	
4,050,703 A	9/1977	Tuvesson et al.	277/207 A	6,170,883 B1	1/2001	Mattsson et al.	285/110	
4,186,932 A	2/1980	Emhardt et al.	277/207 A	D446,298 S	8/2001	Thurman	D23/393	
4,216,981 A	8/1980	Jensen		D447,223 S	8/2001	Mattsson et al.	D23/269	
4,288,111 A	9/1981	Feutz	285/183	D456,071 S	4/2002	Mattsson et al.	D23/393	
4,303,103 A	12/1981	Marks et al.		6,431,609 B1	8/2002	Andersson	285/24	
4,368,894 A	1/1983	Parmann	277/166	6,460,896 B1	10/2002	Stephens et al.		
4,379,559 A	4/1983	Bohman	277/207 A	D466,652 S	12/2002	Thurman	D29/393	
4,602,793 A	7/1986	Andrick	277/207 A	D475,130 S	5/2003	Stout, Jr.	D23/393	
D289,078 S	*	3/1987	Vassallo et al.	D475,447 S	6/2003	Stout, Jr.	D23/393	
4,850,621 A	7/1989	Umehara	285/322	D475,448 S	6/2003	Stout, Jr.	D23/393	
4,902,049 A	2/1990	Umehara	285/347	D475,449 S	6/2003	Stout, Jr.	D23/393	
4,997,212 A	*	3/1991	Burkit	D475,778 S	6/2003	Stout, Jr.	D23/393	
5,340,125 A	8/1994	Brown et al.	277/169	D475,779 S	6/2003	Stout, Jr.	D23/393	
D356,456 S	*	3/1995	Henry	D475,780 S	6/2003	Stout, Jr.	D23/393	
5,407,122 A	4/1995	Stefansson et al.	228/212	D476,074 S	6/2003	Stout, Jr.	D23/393	
D360,018 S	7/1995	Sonden et al.	D23/262	D498,826 S	*	11/2004	Takahiro et al.	D23/269
D360,020 S	7/1995	Sonden et al.	D23/262	D501,547 S	2/2005	Stout, Jr.	D23/393	
D360,021 S	7/1995	Sonden et al.	D23/262	D501,548 S	2/2005	Stout, Jr.	D23/393	
D361,829 S	8/1995	Sonden et al.	D23/262	D504,503 S	4/2005	Thurman	D23/393	

* cited by examiner

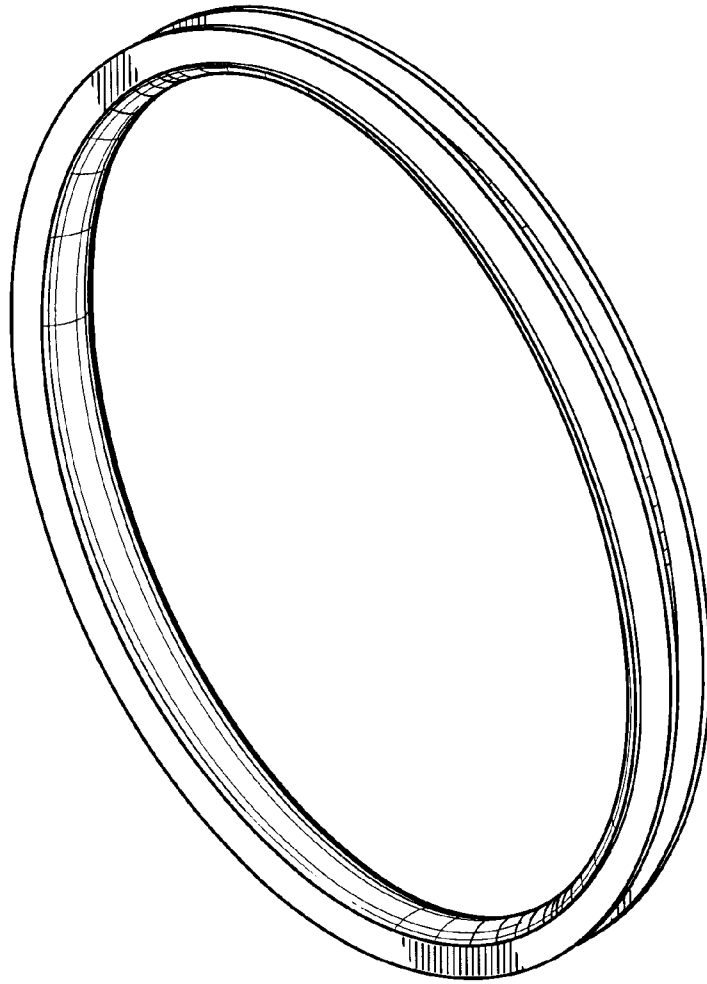


FIG. 1

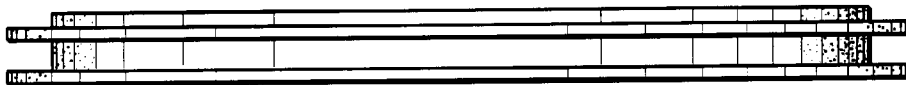


FIG. 4

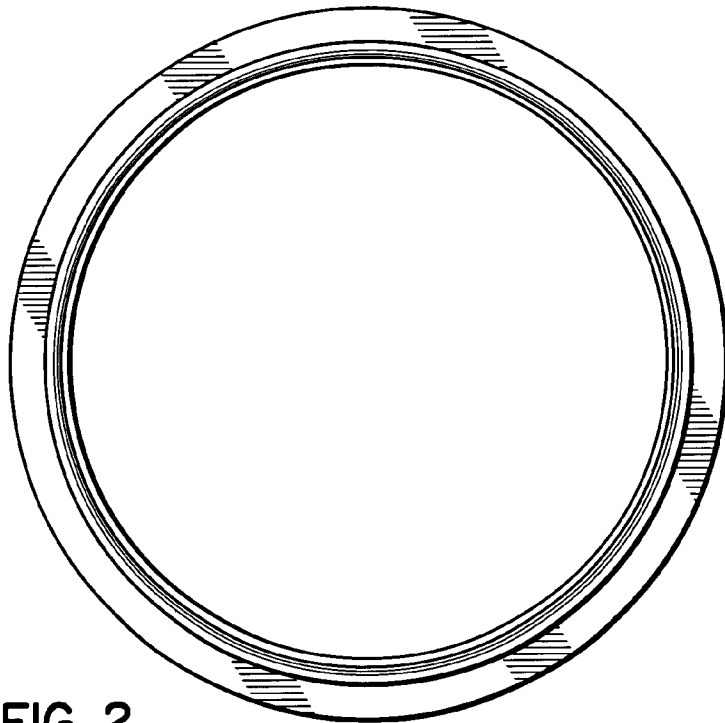


FIG. 2

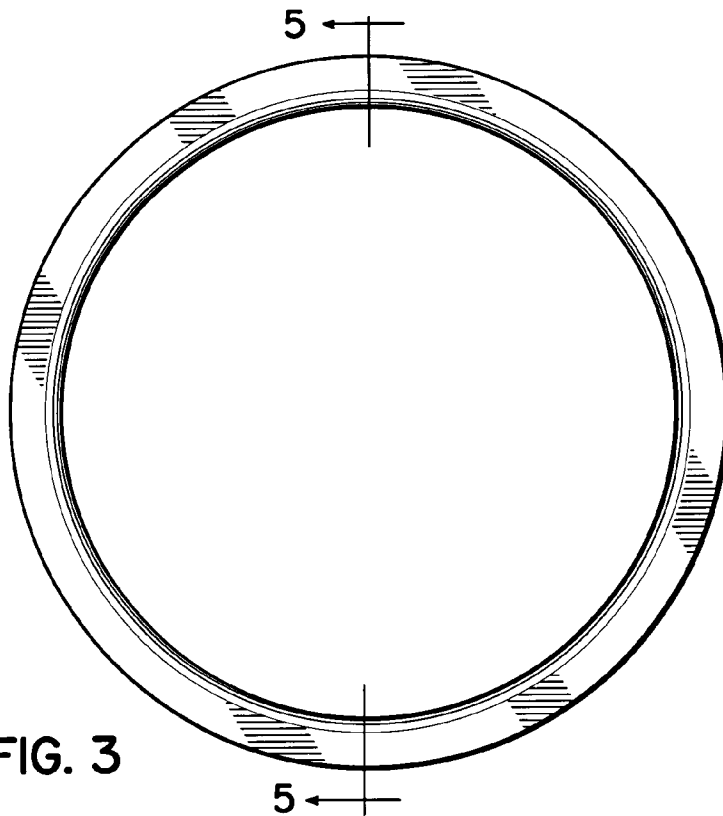


FIG. 3



FIG. 5

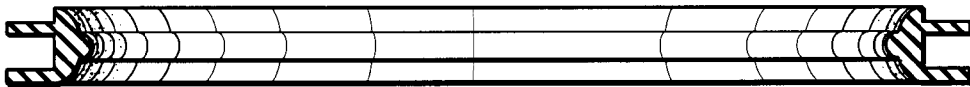


FIG. 10

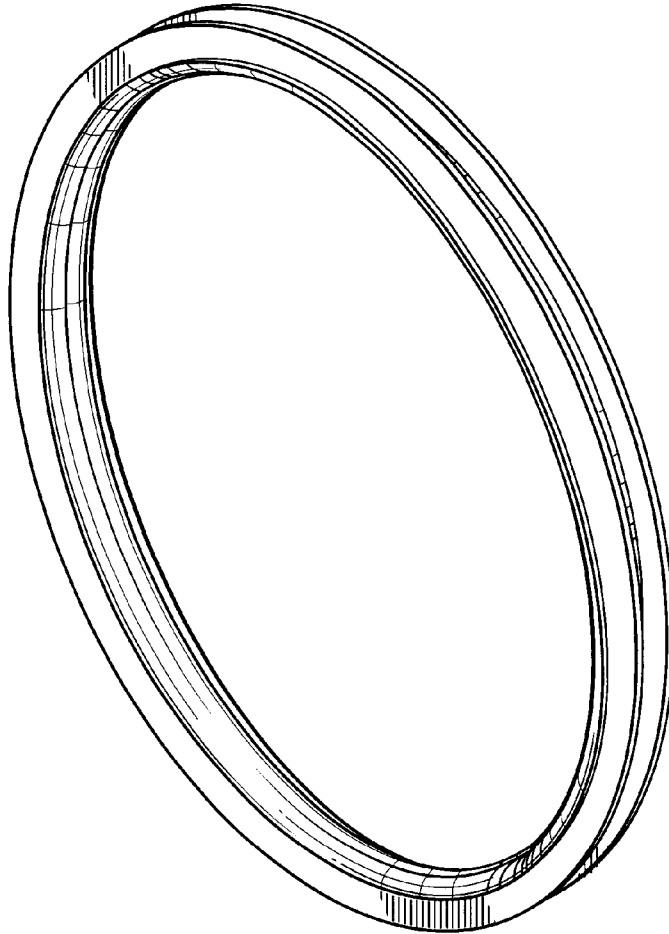


FIG. 6

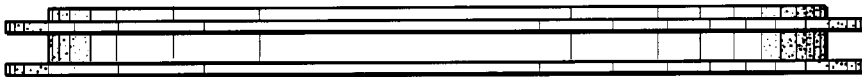


FIG. 9

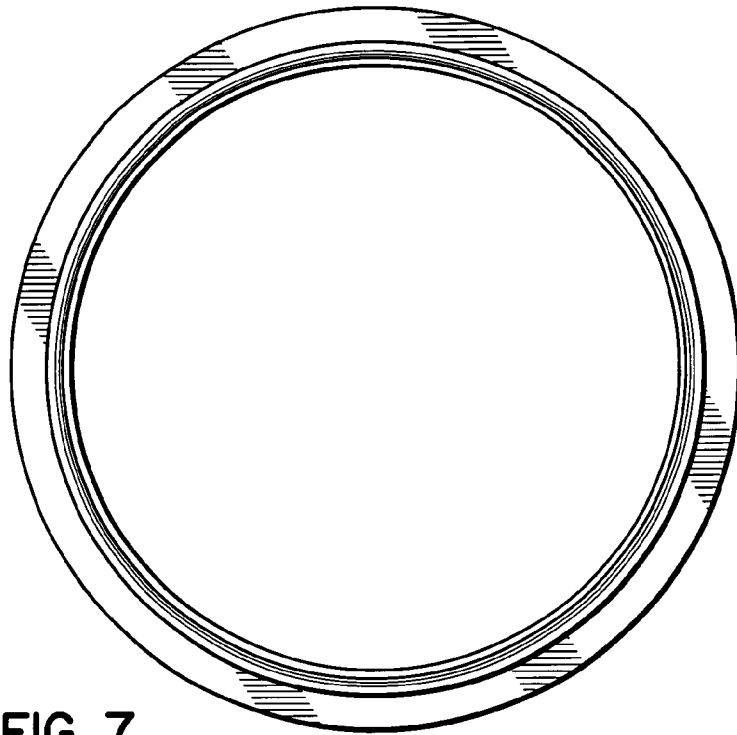


FIG. 7

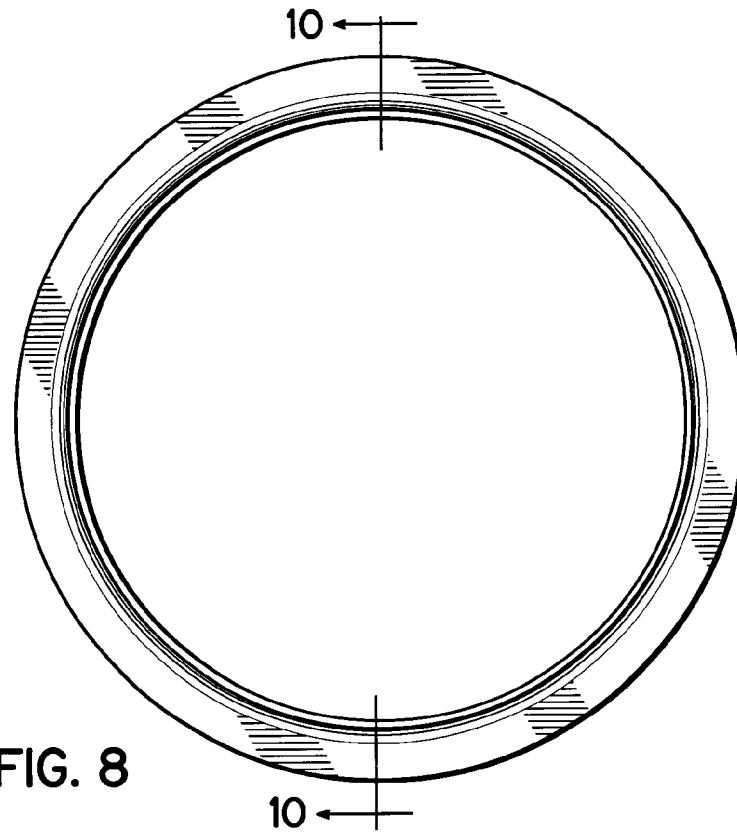


FIG. 8