



US00D775286S

(12) **United States Design Patent** (10) **Patent No.:** **US D775,286 S**  
**Pawlas** (45) **Date of Patent:** **\*\* Dec. 27, 2016**

(54) **MEDICINE BALL**  
(71) Applicant: **GProducts LLC**, Louisville, CO (US)  
(72) Inventor: **Gary Pawlas**, Louisville, CO (US)  
(73) Assignee: **GProducts LLC**, Louisville, CO (US)  
(\*\*) Term: **14 Years**  
(21) Appl. No.: **29/526,709**

D468,906 S \* 1/2003 Rugg ..... D3/257  
D472,048 S \* 3/2003 Rugg ..... D3/257  
D477,961 S \* 8/2003 Tung ..... D3/270  
D478,240 S \* 8/2003 Tung ..... D3/270  
D547,948 S \* 8/2007 Friedman ..... D3/271.9  
D594,703 S \* 6/2009 Sax ..... D7/515  
D655,910 S \* 3/2012 Kao ..... D3/229  
D665,607 S \* 8/2012 Gehring ..... D6/518  
D683,800 S \* 6/2013 Ebio ..... D21/662  
D712,171 S \* 9/2014 Alessandri ..... D6/349  
D718,825 S \* 12/2014 Ross ..... D21/662  
2003/0008736 A1 \* 1/2003 Hung ..... A63B 41/08  
473/598

(Continued)

(22) Filed: **May 12, 2015**  
(51) **LOC (10) Cl.** ..... **21-02**  
(52) **U.S. Cl.**

OTHER PUBLICATIONS

Dynamax, Inc., "Medicine Ball", "Webpage found at <http://www.medicineballs.com/> downloaded on Jul. 27, 2015", p. 2 Published in: US.

(Continued)

(58) **Field of Classification Search**  
USPC ..... **D21/680**  
USPC ..... D21/662, 688, 713, 671, 692, 803, 680,  
D21/398, 707, 678, 684, 714, 412, 421,  
D21/413; 482/93, 106, 92, 132, 140, 141,  
482/51, 907, 96, 125, 111, 910, 79, 123,  
482/121, 112, 148, 909, 91, 122, 131,  
482/126, 142, 129, 105, 147, 146, 77,  
482/135, 108, 62; D30/160, 117; 446/220,  
446/226, 448; 473/596, 476, 576, 598;  
601/131, 23; D6/518, 632, 407, 349;  
D7/515, 901; D3/238, 257, 221, 271.9,  
D3/289, 270, 217, 229  
CPC ..... A63B 23/1236; A63B 21/4035; A63B  
2208/12; A63B 21/0552; A63B 21/0557;  
A63B 23/12; A63B 41/00; A63B 21/0442  
See application file for complete search history.

*Primary Examiner* — Robert M Spear  
*Assistant Examiner* — Ryan Harvey  
(74) *Attorney, Agent, or Firm* — Neugeboren O'Dowd PC

(57) **CLAIM**

The ornamental design for a medicine ball, as shown and described.

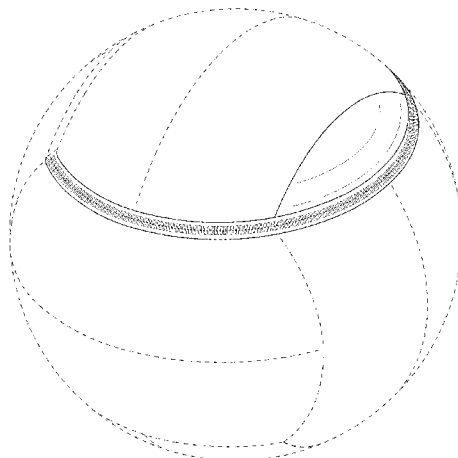
**DESCRIPTION**

FIG. 1 is a right, top, front perspective view of a medicine ball showing my new design;  
FIG. 2 is a top plan view of the medicine ball of FIG. 1;  
FIG. 3 is a front elevation view of the medicine ball of FIG. 1;  
FIG. 4 is a right side elevation view of the medicine ball of FIG. 1; the left side elevation view is a mirror image of the right side; and,  
FIG. 5 is a rear elevation view of the medicine ball of FIG. 1.  
The broken line showing portions of the medicine ball depicts environment and forms no part of the claim.

**1 Claim, 5 Drawing Sheets**

(56) **References Cited**  
U.S. PATENT DOCUMENTS

D318,567 S \* 7/1991 Smith ..... D21/713  
D375,626 S \* 11/1996 Eaton ..... D3/257  
D384,199 S \* 9/1997 Dixon ..... D3/217  
5,735,776 A \* 4/1998 Swezey ..... A63B 21/0085  
473/596  
D417,074 S \* 11/1999 Rugg ..... D3/221  
D437,482 S \* 2/2001 Rugg ..... D3/257  
D445,155 S \* 7/2001 Lee ..... D21/713  
D467,729 S \* 12/2002 Vazquez ..... D3/238



(56)

**References Cited**

U.S. PATENT DOCUMENTS

2012/0157270 A1\* 6/2012 Johnson ..... A63B 21/075  
482/93

OTHER PUBLICATIONS

Rage, "Rage 14 Inch Medicine Ball", "Webpage found at <http://www.ragefitness.com/rage-14-inch-medicine-ball-cf-mb004> downloaded on Jul. 27, 2015", p. 6, Published in: US.

Ugi Fitness, "The Ugi Ball", "Webpage found at <http://www.ugifit.com/en/what-ugi/ugi-ball> downloaded on Jul. 27, 2015", p. 2, Published in: US.

\* cited by examiner

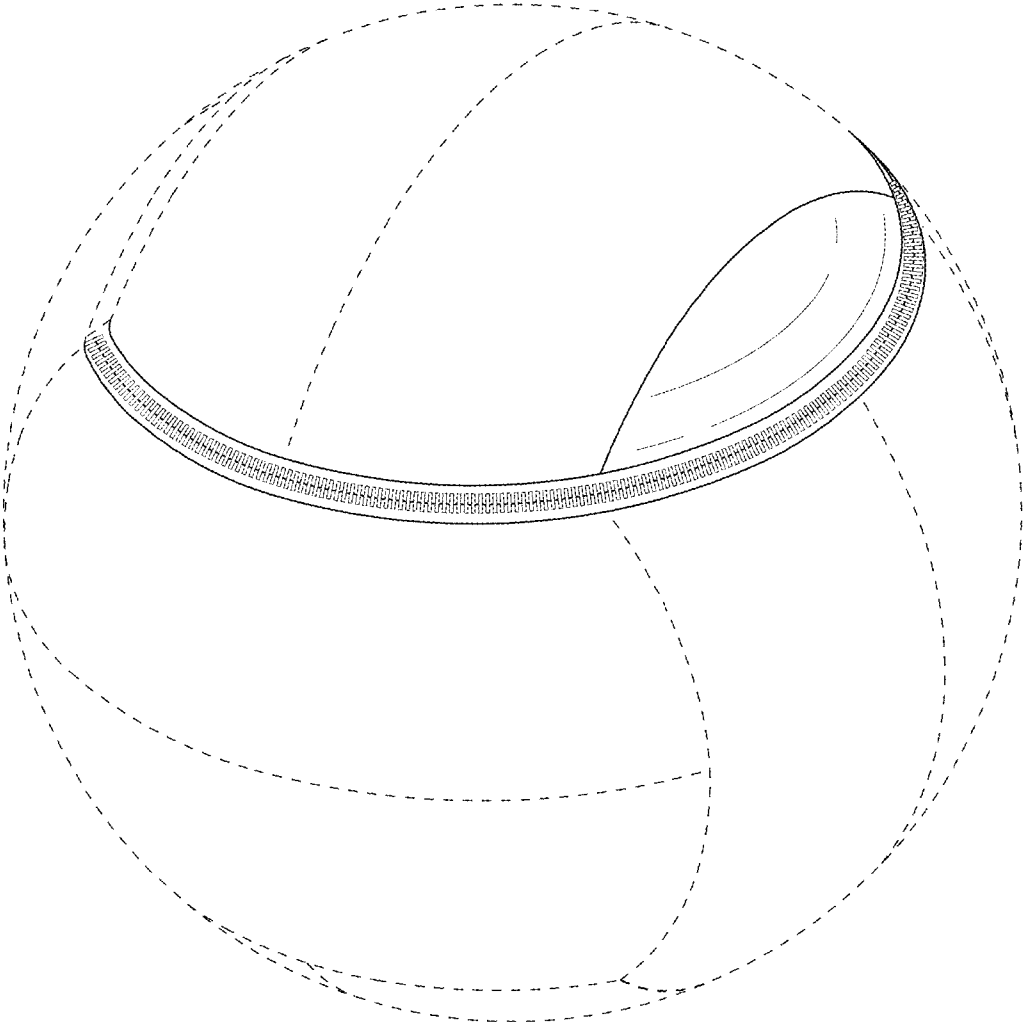


FIG. 1

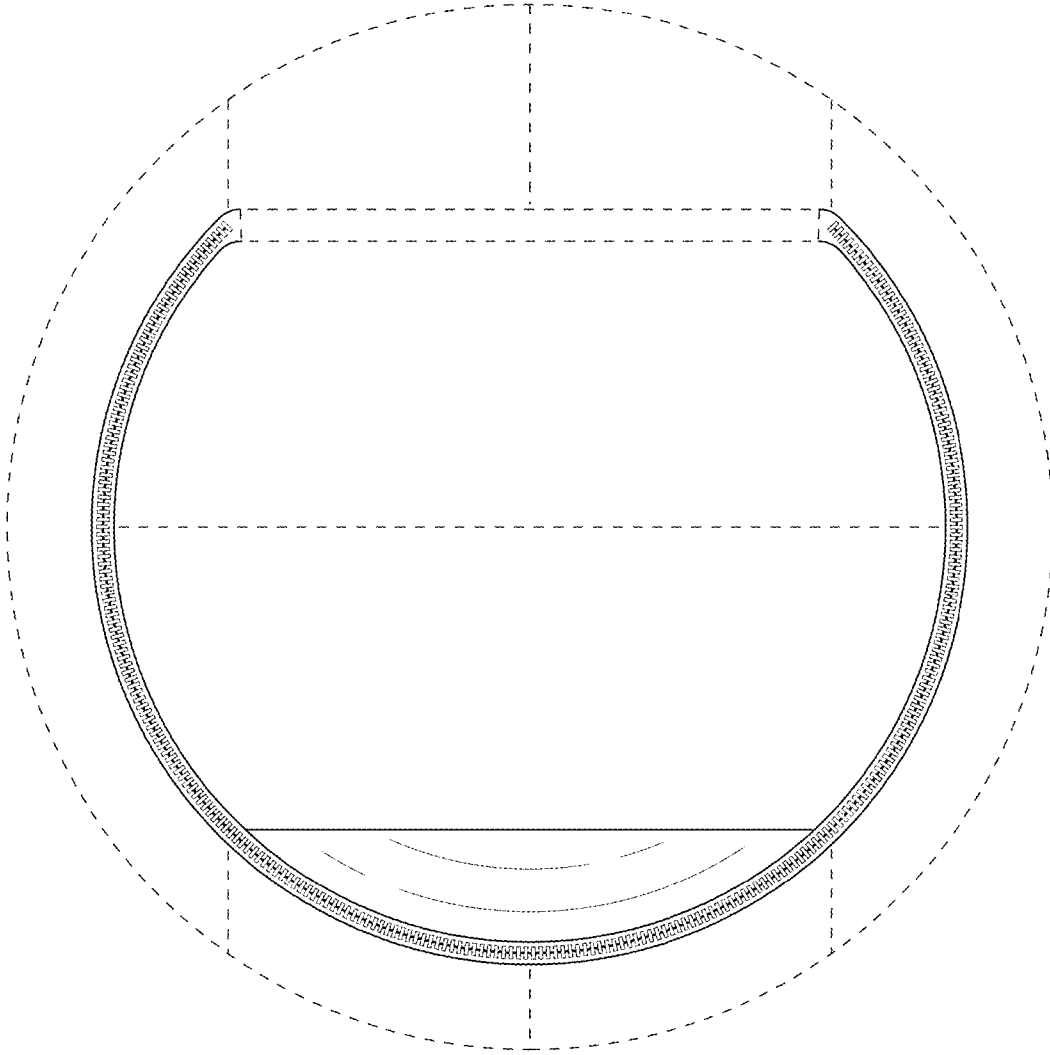


FIG. 2

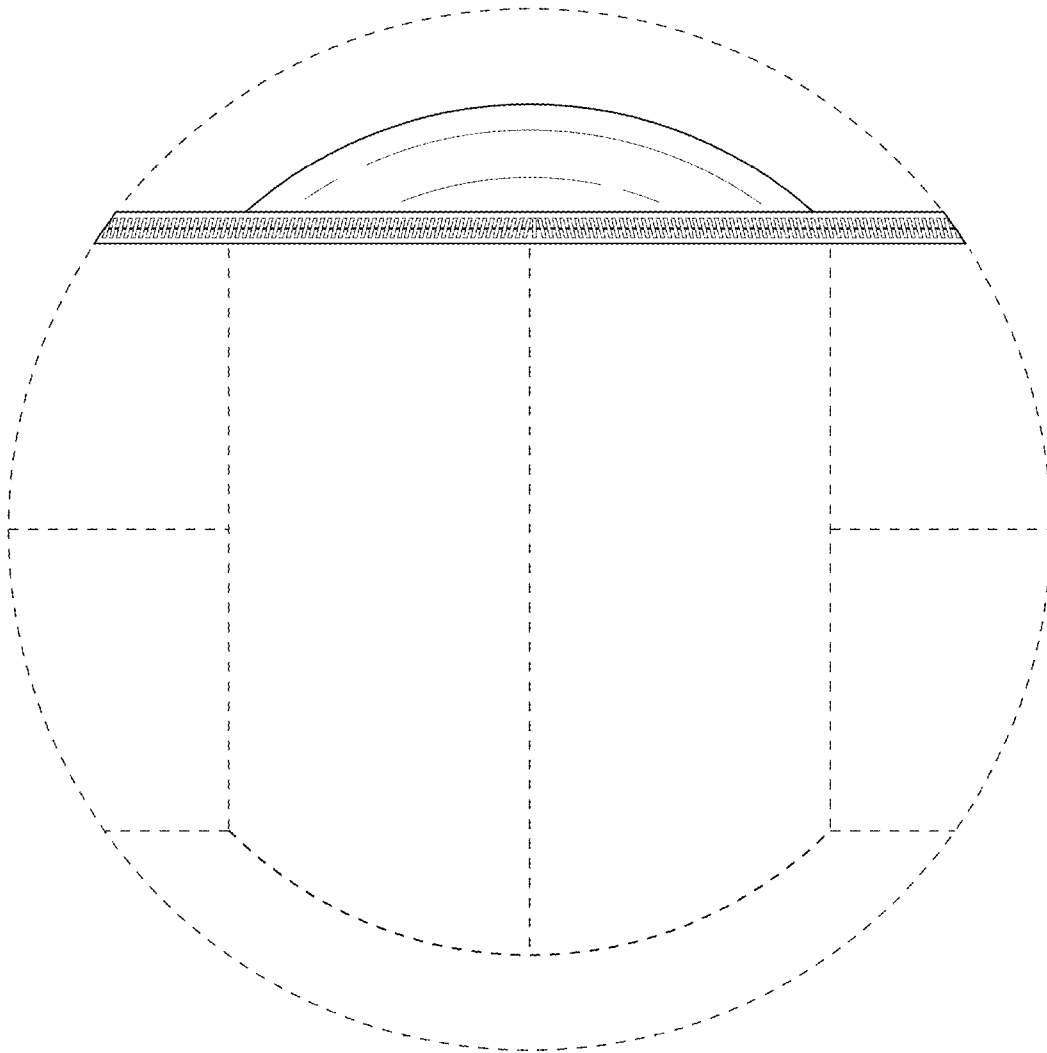


FIG. 3

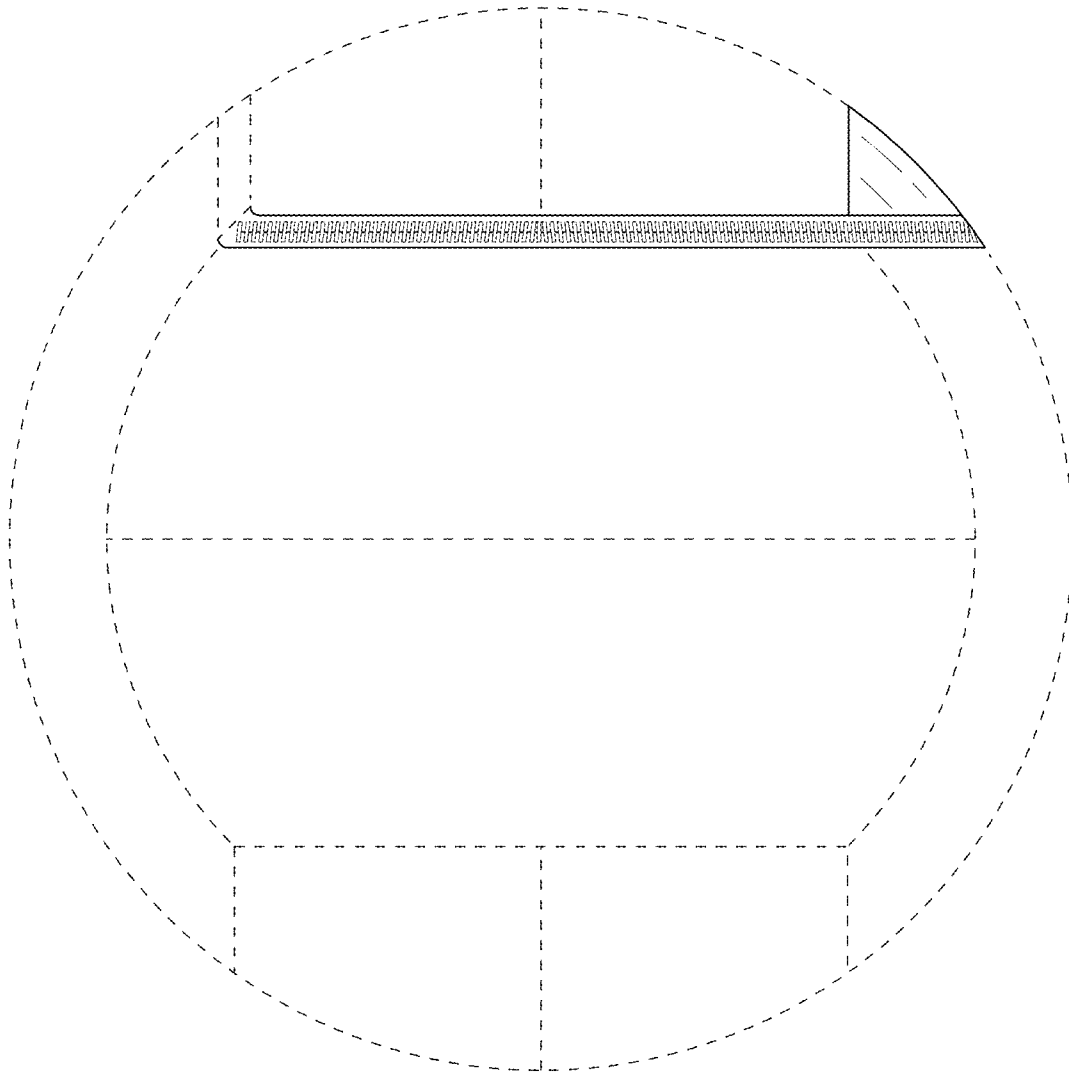


FIG. 4

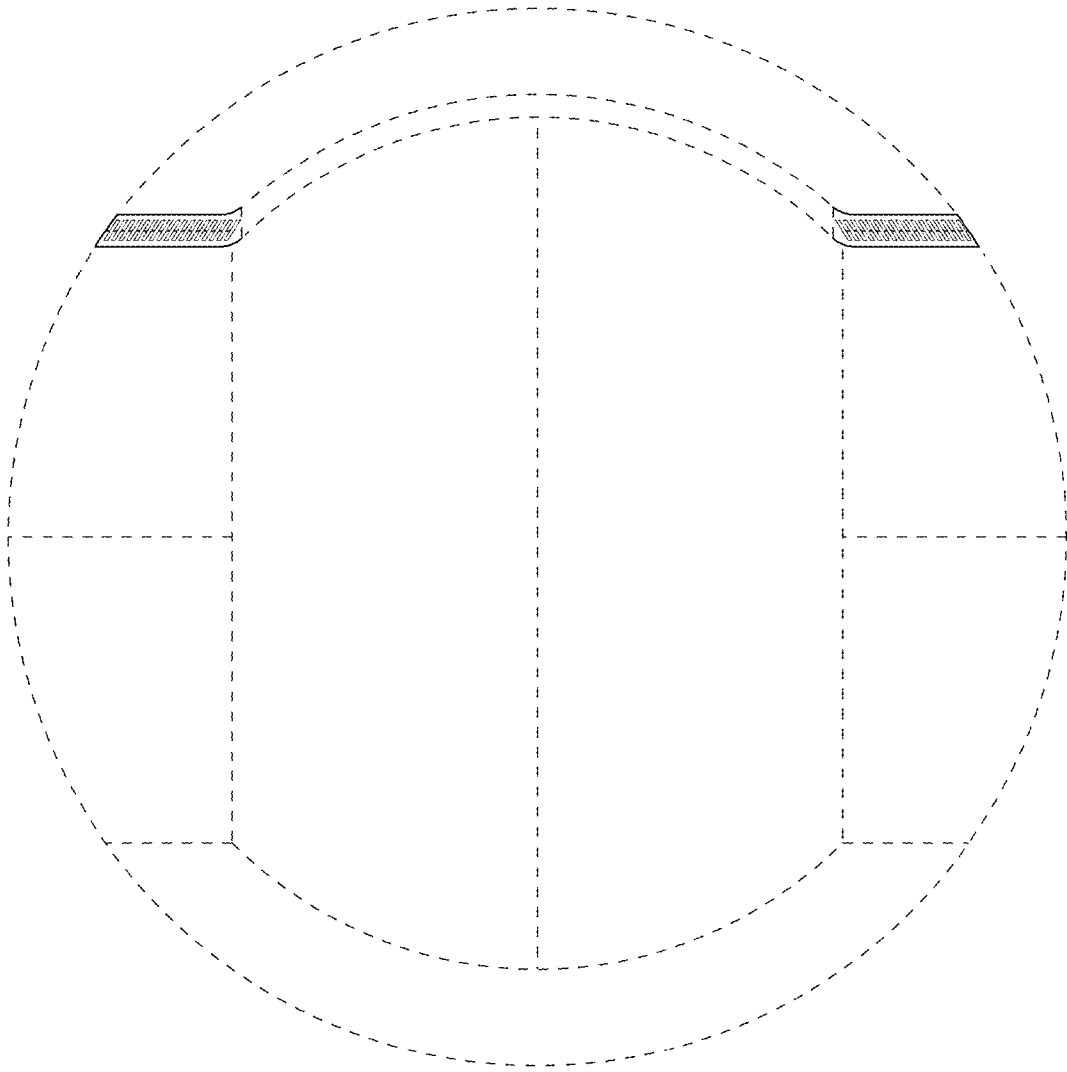


FIG. 5