



US00D827738S

(12) **United States Design Patent**  
**Miller et al.**

(10) **Patent No.:** **US D827,738 S**

(45) **Date of Patent:** **\*\* \*Sep. 4, 2018**

(54) **ABDOMINAL EXERCISE WHEEL**

(71) Applicant: **XYSTUS, LLC**, Carrollton, TX (US)

(72) Inventors: **Reuben A. Miller**, McKinney, TX (US); **Shane Hernandez**, McKinney, TX (US)

(73) Assignee: **XYSTUS, LLC**, Carrollton, TX (US)

(\* ) Notice: This patent is subject to a terminal disclaimer.

(\*\*) Term: **15 Years**

(21) Appl. No.: **29/578,731**

(22) Filed: **Sep. 23, 2016**

**Related U.S. Application Data**

(63) Continuation-in-part of application No. 14/684,626, filed on Apr. 13, 2015, now Pat. No. 9,649,521.

(51) **LOC (11) Cl.** ..... **21-02**

(52) **U.S. Cl.**  
USPC ..... **D21/688**

(58) **Field of Classification Search**

USPC ..... 482/132, 140, 123, 142, 145, 127, 907, 482/82, 114, 121, 92, 141, 148, 125, 136, 482/55, 139; D21/662, 681, 760, 679, D21/686, 689, 671; D12/107; D15/199  
CPC . A63B 23/1236; A63B 21/4035; A63B 23/12; A63B 21/00047; A63B 2210/50; A63B 22/20; A63B 21/068; A63B 21/0004  
See application file for complete search history.

(56) **References Cited**

**U.S. PATENT DOCUMENTS**

D224,935 S \* 10/1972 Winger ..... D21/662  
D306,886 S \* 3/1990 Shiek ..... D21/662  
5,871,425 A \* 2/1999 Gvoich ..... A63B 21/055  
482/123

6,328,680 B1 \* 12/2001 Shifferaw ..... A63B 21/0618  
482/127  
D454,929 S \* 3/2002 Huang ..... D21/662  
6,544,153 B2 \* 4/2003 Lee ..... A63B 21/0004  
482/127  
6,575,883 B1 \* 6/2003 Hinds ..... A63B 21/0004  
482/125  
7,357,764 B2 \* 4/2008 Stearns ..... A63B 21/0552  
297/259.1  
D624,136 S \* 9/2010 Chen ..... D21/760  
(Continued)

**OTHER PUBLICATIONS**

Circ-It by Xystus dated no date given. Found online [Sep. 20, 2017].  
<http://fit-everywhere.com/product/logo-t-shirt/#prettyPhoto>.\*

*Primary Examiner* — Philip S Hyder  
*Assistant Examiner* — Ryan Harvey  
(74) *Attorney, Agent, or Firm* — Stephen Y. Liu; Colin P. Cahoon; Carstens & Cahoon, LLP

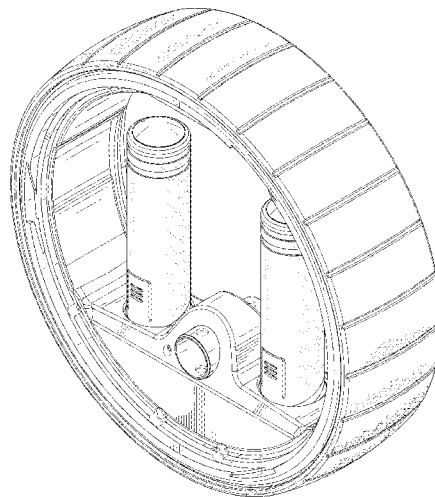
(57) **CLAIM**

The ornamental design for a abdominal exercise wheel, as shown and described.

**DESCRIPTION**

FIG. 1 is a top perspective view of the abdominal exercise wheel;  
FIG. 2 is a bottom perspective view of the abdominal exercise wheel;  
FIG. 3 is a front view of the abdominal exercise wheel;  
FIG. 4 is a back view of the abdominal exercise wheel;  
FIG. 5 is a right side view of the abdominal exercise wheel, the left side view being a mirror image; and,  
FIG. 6 is a top view of the abdominal exercise wheel, the bottom view being a mirror image.  
The broken lines showing portions of the abdominal exercise wheel depict environment and form no part of the claim.

**1 Claim, 6 Drawing Sheets**



(56)

**References Cited**

U.S. PATENT DOCUMENTS

7,837,603	B1 *	11/2010	Carnell, Sr. ....	A63B 21/0004 482/132	2002/0123416	A1 *	9/2002	Huang .....	A63B 21/153 482/140
D666,255	S *	8/2012	Babchinetskaya .....	D21/662	2007/0010384	A1 *	1/2007	Roberts .....	A63B 22/20 482/140
D669,141	S *	10/2012	MacColl .....	D21/662	2011/0160024	A1 *	6/2011	Candela .....	A63B 23/0211 482/132
8,376,914	B2 *	2/2013	Avrett .....	A63B 21/0606 441/129	2011/0183824	A1 *	7/2011	Yang .....	A63B 21/0004 482/132
8,613,453	B2 *	12/2013	Chen .....	A63C 17/00 280/11.24	2012/0172184	A1 *	7/2012	Wang .....	A63B 21/0552 482/132
9,011,303	B2 *	4/2015	MacColl .....	A63B 21/0004 482/127	2012/0264578	A1 *	10/2012	Frederick .....	A63B 21/0004 482/132
D729,698	S *	5/2015	Chen .....	D12/107	2013/0017936	A1 *	1/2013	Olson .....	A63B 21/0004 482/132
D733,203	S *	6/2015	Menor .....	D12/107	2013/0281270	A1 *	10/2013	Chen .....	A63B 21/0004 482/132
D745,614	S *	12/2015	Ho .....	D21/662	2015/0328491	A1 *	11/2015	Miller .....	A63B 21/00185 482/82
D747,668	S *	1/2016	Chen .....	D12/107					
D774,958	S *	12/2016	Chen .....	D12/107					
D774,959	S *	12/2016	Chen .....	D12/107					
9,586,088	B2 *	3/2017	Wong .....	A63B 23/0211					

\* cited by examiner

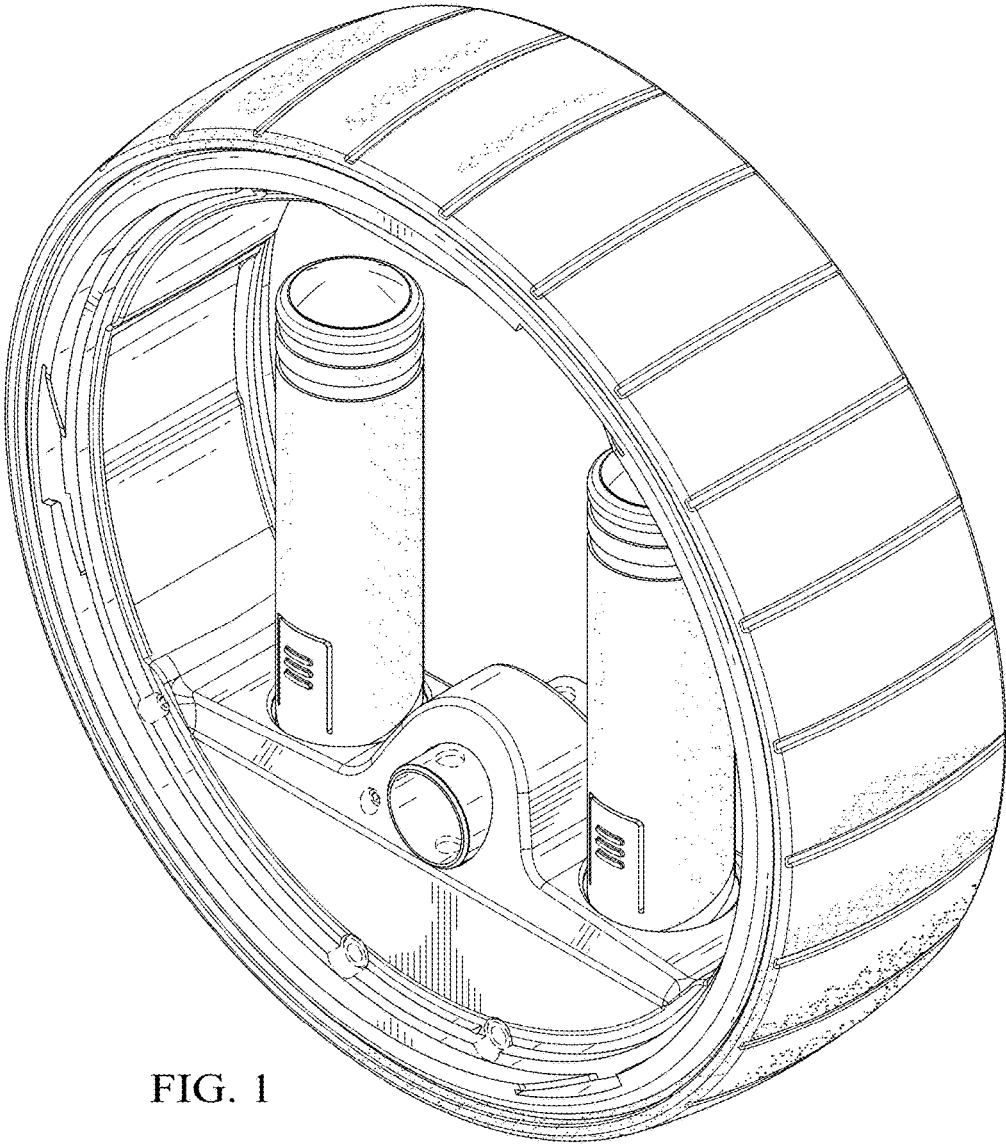


FIG. 1

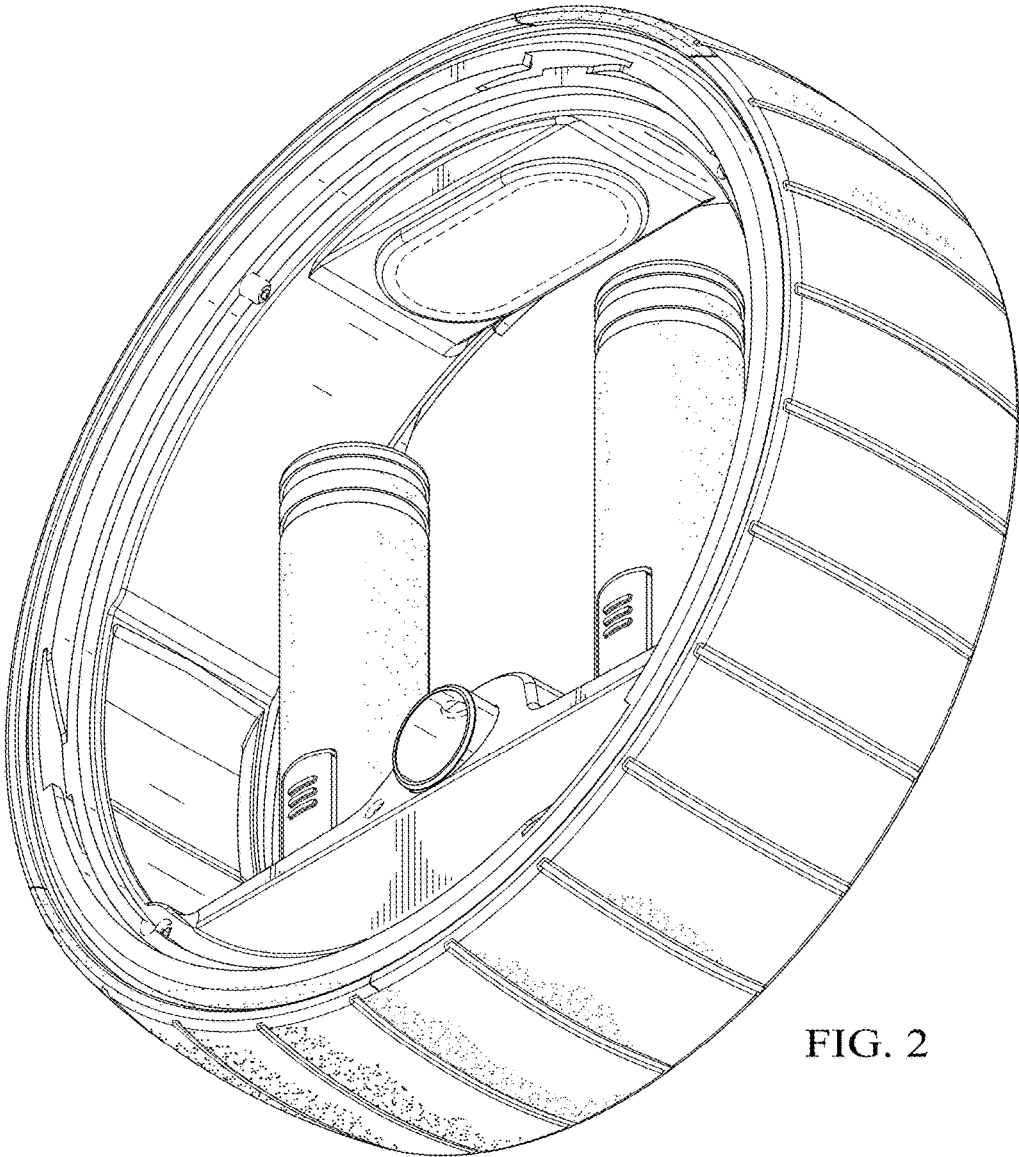


FIG. 2

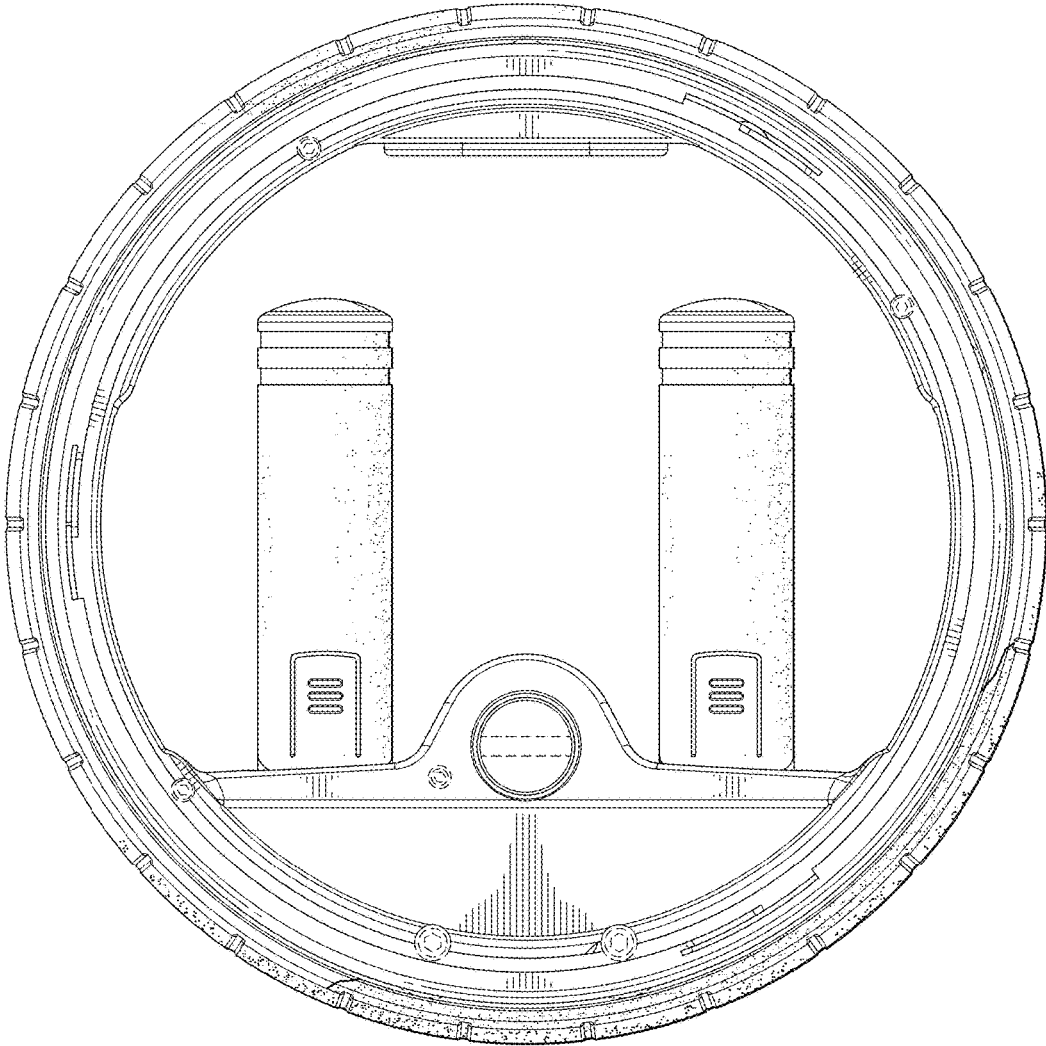


FIG. 3

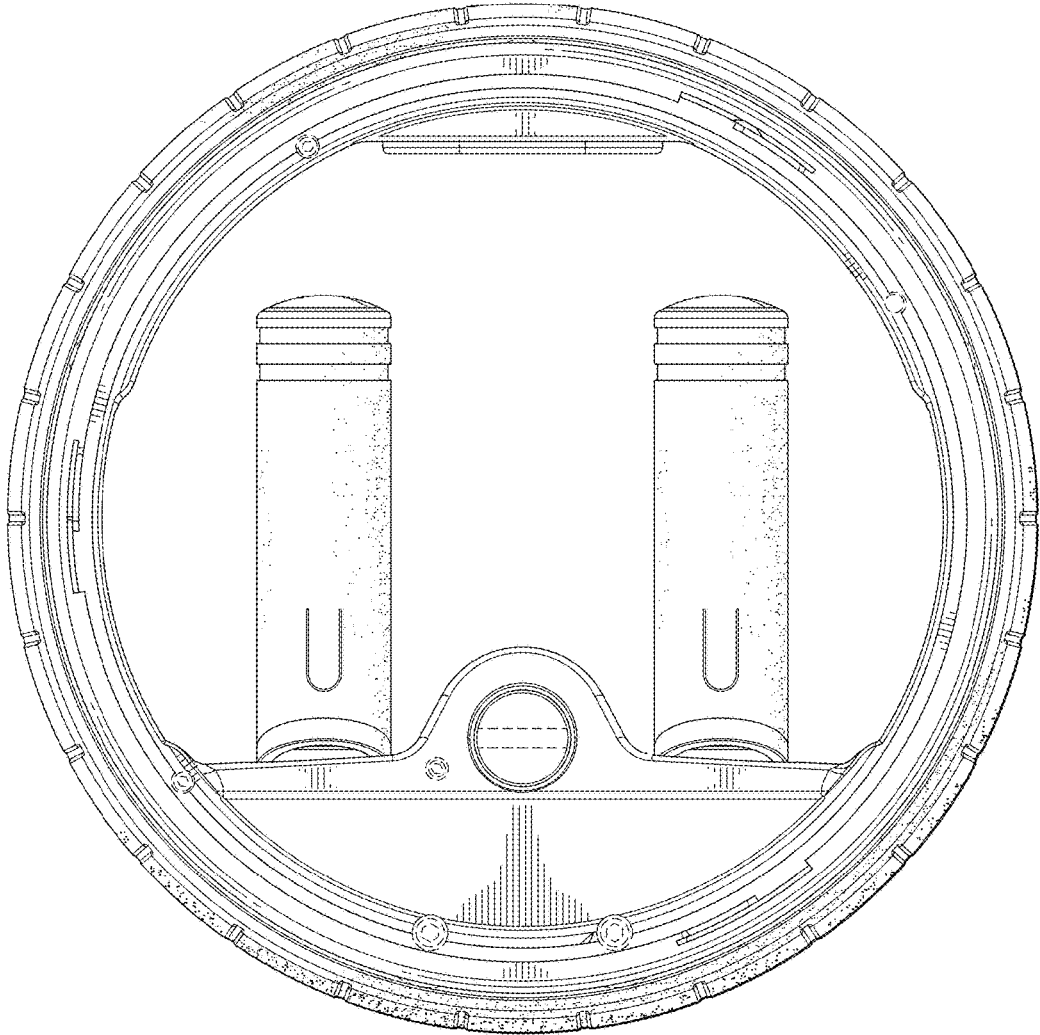


FIG. 4

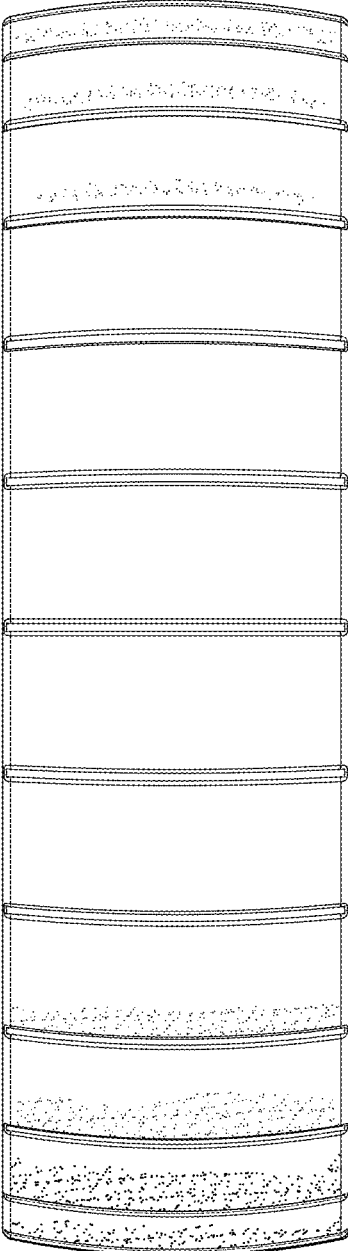


FIG. 5

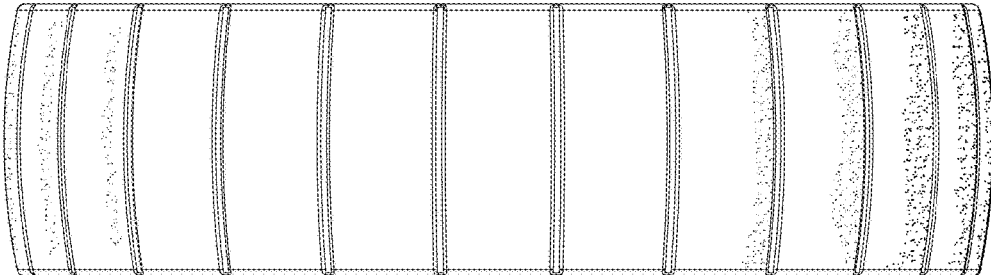


FIG. 6