



US00D861268S

(12) **United States Design Patent**  
**Meyer et al.**

(10) **Patent No.:** **US D861,268 S**

(45) **Date of Patent:** **\*\* Sep. 24, 2019**

(54) **VACUUM CLEANER**

(71) Applicant: **Alfred Kaercher SE & Co. KG,**  
Winnenden (DE)

(72) Inventors: **Michael Meyer,** Schwaikheim (DE);  
**Alan Qian,** Suzhou (CN)

(73) Assignee: **Alfred Kaercher SE & Co. KG,**  
Winnenden (DE)

(\*\*) Term: **15 Years**

(21) Appl. No.: **29/645,436**

(22) Filed: **Apr. 26, 2018**

(51) **LOC (12) Cl.** ..... **15-05**

(52) **U.S. Cl.**  
USPC ..... **D32/22**

(58) **Field of Classification Search**  
USPC ..... D32/17-18, 22, 31, 34  
CPC ..... A47L 5/24; A47L 5/26; A47L 5/28; A47L  
9/322; A47L 9/325; A47L 9/327; A47L  
11/4075

See application file for complete search history.

(56) **References Cited**

**U.S. PATENT DOCUMENTS**

|              |         |              |       |        |
|--------------|---------|--------------|-------|--------|
| D280,033 S * | 8/1985  | Miyamoto     | ..... | D32/18 |
| D290,894 S * | 7/1987  | Miyamoto     | ..... | D32/18 |
| D348,548 S   | 7/1994  | Pino         |       |        |
| D405,929 S   | 2/1999  | Sovis et al. |       |        |
| D426,356 S   | 6/2000  | Tsuruha      |       |        |
| D507,387 S   | 7/2005  | Jacobs       |       |        |
| D529,248 S   | 9/2006  | McCulloch    |       |        |
| D529,673 S   | 10/2006 | Dyson et al. |       |        |
| D529,674 S   | 10/2006 | Dyson et al. |       |        |
| D532,169 S   | 11/2006 | Dyson et al. |       |        |
| D533,699 S   | 12/2006 | Dyson et al. |       |        |
| D553,814 S   | 10/2007 | Parr et al.  |       |        |
| D562,510 S   | 2/2008  | Hahn         |       |        |
| D596,360 S   | 7/2009  | Dyson et al. |       |        |

|              |         |                |       |        |
|--------------|---------|----------------|-------|--------|
| D610,318 S   | 2/2010  | Shin           |       |        |
| D635,728 S * | 4/2011  | Fjellman       | ..... | D32/22 |
| D652,589 S   | 1/2012  | Lee            |       |        |
| D670,878 S   | 11/2012 | Lee            |       |        |
| D695,980 S   | 12/2013 | Thorne         |       |        |
| D728,878 S   | 5/2015  | Johnson et al. |       |        |
| D730,001 S   | 5/2015  | Yun et al.     |       |        |
| D731,136 S   | 6/2015  | Yun et al.     |       |        |
| D731,724 S   | 6/2015  | Cheon et al.   |       |        |
| D735,426 S   | 7/2015  | Yun et al.     |       |        |
| D738,584 S   | 9/2015  | Niedzwecki     |       |        |
| D739,620 S   | 9/2015  | Johnson        |       |        |
| D743,125 S * | 11/2015 | Lee            | ..... | D32/22 |

(Continued)

**OTHER PUBLICATIONS**

Extract for catalog of Alfred Kaercher GmbH & Co. KG, "Programme 2012 Kaercher Professional", cover, pp. 164, 165 and last page (Nov. 2011).

(Continued)

*Primary Examiner* — Ruth McInroy

(74) *Attorney, Agent, or Firm* — Lipsitz & McAllister, LLC

(57)

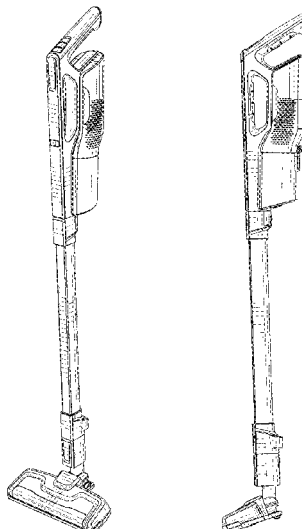
**CLAIM**

The ornamental design for a vacuum cleaner, as shown and described.

**DESCRIPTION**

FIG. 1 is a front and left-side perspective view of a vacuum cleaner showing our new design;  
FIG. 2 is a rear and right side perspective view thereof;  
FIG. 3 is a front elevational view thereof;  
FIG. 4 is a left side elevational view thereof;  
FIG. 5 is a rear elevational view thereof;  
FIG. 6 is a right side elevational view thereof;  
FIG. 7 is a top plan view thereof; and,  
FIG. 8 is a bottom plan view thereof.

**1 Claim, 8 Drawing Sheets**



(56)

**References Cited**

U.S. PATENT DOCUMENTS

|                 |         |                 |            |
|-----------------|---------|-----------------|------------|
| D751,261 S      | 3/2016  | Thorne          |            |
| D769,556 S      | 10/2016 | Kim et al.      |            |
| D769,557 S      | 10/2016 | Johnson         |            |
| D770,106 S      | 10/2016 | Johnson et al.  |            |
| D770,111 S      | 10/2016 | Lee et al.      |            |
| D771,890 S      | 11/2016 | Kim             |            |
| D772,510 S *    | 11/2016 | Palladino ..... | D32/31     |
| D772,512 S *    | 11/2016 | Yoon .....      | D32/34     |
| D774,260 S      | 12/2016 | Manning         |            |
| D775,440 S      | 12/2016 | Kwon et al.     |            |
| D775,772 S      | 1/2017  | Lee et al.      |            |
| D789,633 S      | 6/2017  | Meyer et al.    |            |
| D791,420 S      | 7/2017  | Meyer et al.    |            |
| D792,040 S      | 7/2017  | Meyer et al.    |            |
| 9,883,781 B2 *  | 2/2018  | Thorne .....    | A47L 9/16  |
| D819,282 S *    | 5/2018  | Kim .....       | D32/22     |
| D827,232 S *    | 8/2018  | Lim .....       | D32/18     |
| 10,080,471 B2 * | 9/2018  | Reimer .....    | A47L 5/225 |

OTHER PUBLICATIONS

Extract from catalog of Alfred Kaercher GmbH & Co. KG, "Programme 2011 Kaercher Professional (Commercial)", cover, pp. 120-134, 136, 138, 142, 148 and last page (Nov. 2010).  
 Extract from catalog of Alfred Kaercher GmbH & Co. KG, "Programme 2011/2012 Kaercher Home and Garden (60 Hz)", cover, pp. 72-97 and last page (Aug. 2011).  
 Extract from catalog of Alfred Kaercher GmbH & Co. KG, "Programme 2012 Kaercher Home and Garden", cover, pp. 72-81 and last page (Oct. 2011).

Extract from catalog of Alfred Kaercher GmbH & Co. KG, "Programme 2012 Kaercher Professional (Professional Industrial)", cover, pp. 108, 110, 111, 115-118 and last page (Nov. 2011).  
 Extract from catalog of Alfred Kaercher GmbH & Co. KG, "Programme 2012 Kaercher Professional", cover, pp. 126-134, 136, 138, 140, 142, 144, 146, 148, 150, 151, 162, 164, 165 and last page (Nov. 2011).  
 Extract from catalog of Alfred Kaercher GmbH & Co. KG, "Programme 2013 Kaercher Home and Garden", cover, pp. 70-86 and last page (Oct. 2012).  
 Extract from catalog of Alfred Kaercher GmbH & Co. KG, "Programme 2013 Kaercher Professional", cover, pp. 238, 240-267 and last page (Nov. 2012).  
 Extract from catalog of Alfred Kaercher GmbH & Co. KG, "Programme 2013/2014 Kaercher Professional (60 Hz)", cover, pp. 94-143 and last page (Aug. 2013).  
 Extract from catalog of Alfred Kaercher GmbH & Co. KG, "Programme 2014 Kaercher Xpert", cover, pp. 3, 14, 15 and last page (Oct. 2013).  
 Extract from catalog of Alfred Kaercher GmbH & Co. KG, "Programme 2014 Kaercher Home and Garden", cover, pp. 3, 58-73, 80-87 and last page (Oct. 2013).  
 Extract from catalog of Alfred Kaercher GmbH & Co. KG, "Programme 2014 Professional", cover, pp. 13, 164-215, 244-255 and last page (Oct. 2013).  
 Extract from catalog of Alfred Kaercher GmbH & Co. KG, "Programme 2015/2016 Home and Garden 60 Hz", cover, pp. 3, 58-87 and last page (Nov. 2014).  
 Extract from catalog of Alfred Kaercher GmbH & Co. KG, "Programme 2015 Professional", cover, pp. 184-221, 244-265, 294-347, 356-361 and last page (Nov. 2014).

\* cited by examiner

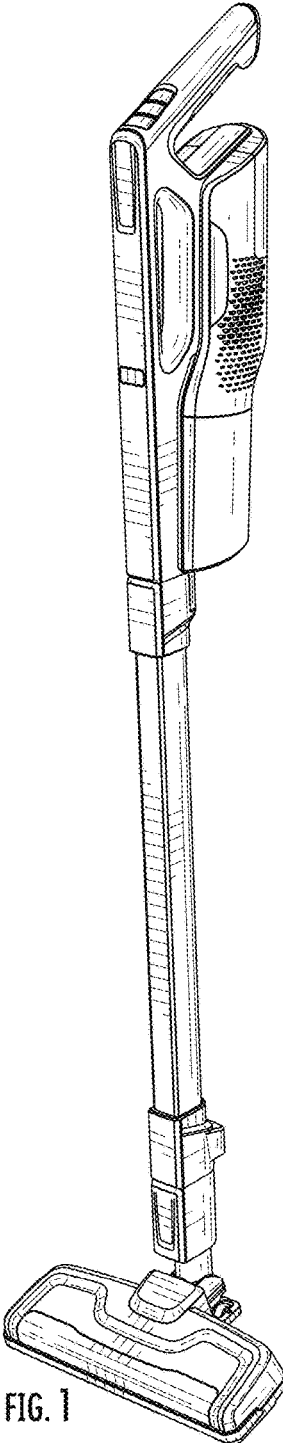
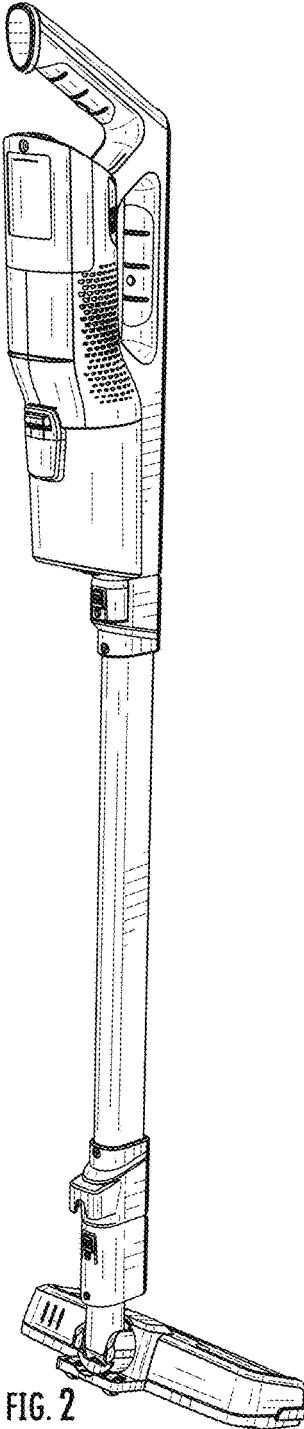


FIG. 1



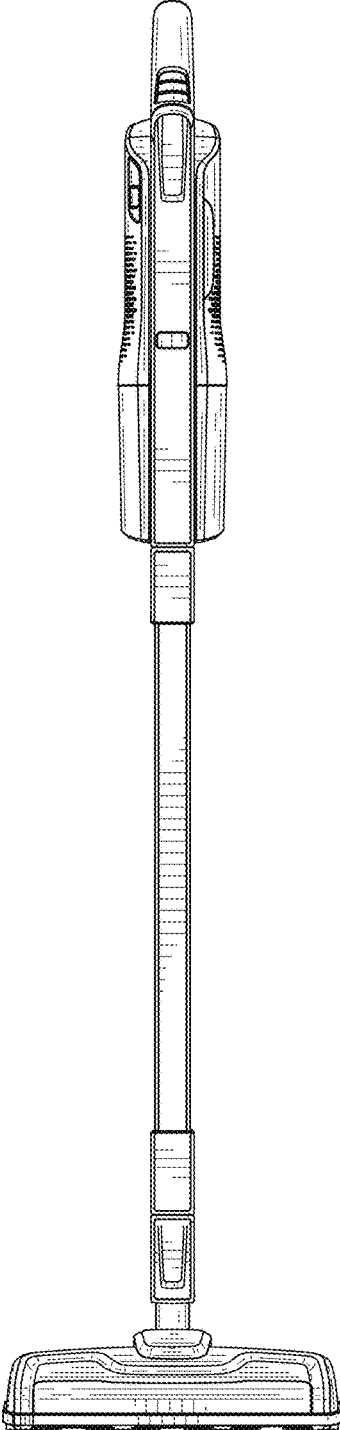


FIG. 3

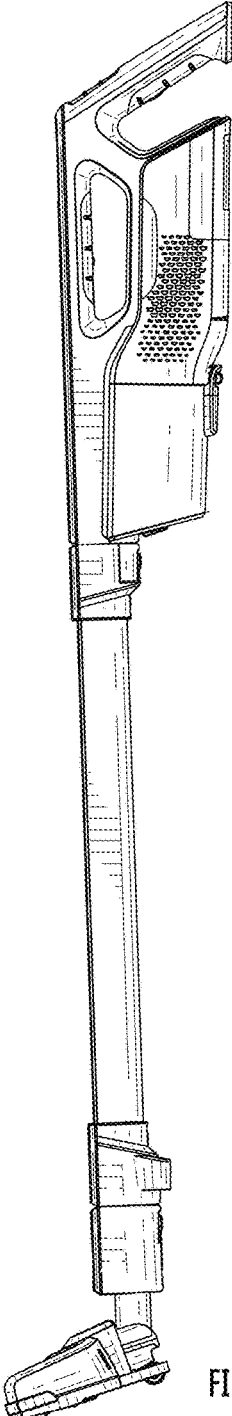


FIG. 4

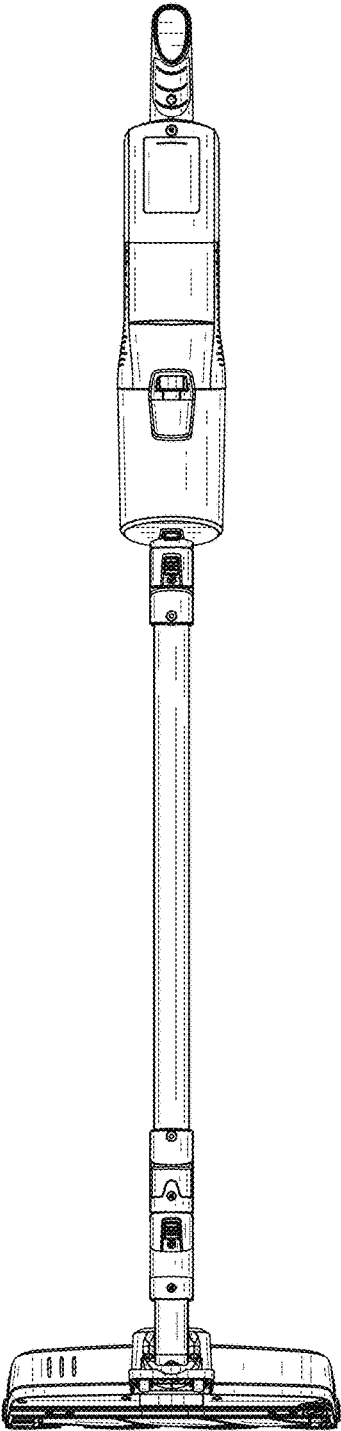


FIG. 5

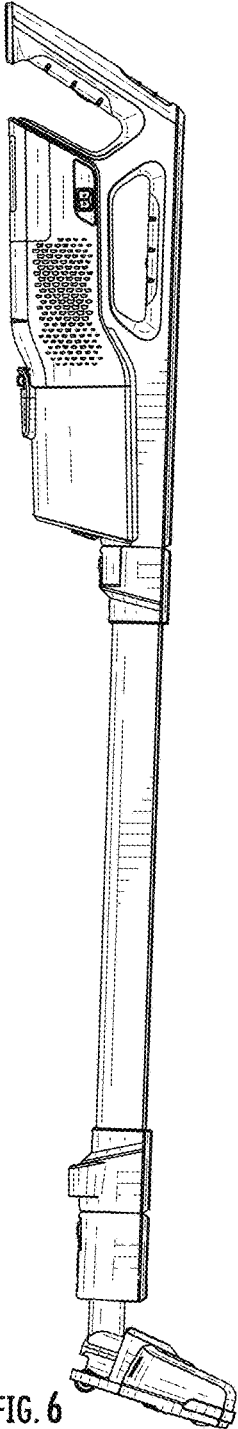


FIG. 6



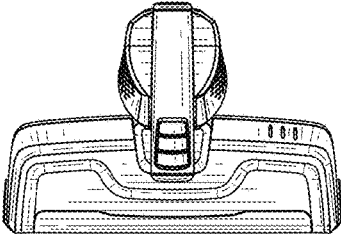


FIG. 7

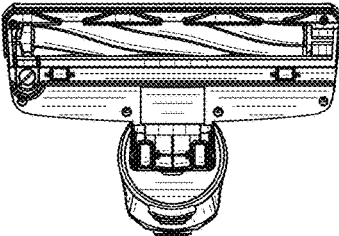


FIG. 8