



US00D725155S

(12) **United States Design Patent**
McKay et al.

(10) **Patent No.:** **US D725,155 S**

(45) **Date of Patent:** **** Mar. 24, 2015**

(54) **LAWN MOWER**

(71) Applicant: **Masport Limited**, Auckland (NZ)

(72) Inventors: **David Ian McKay**, Auckland (NZ);
Agron Haraqia, Auckland (NZ); **Allan Clifford Smyth**, Huntly (NZ); **Lun-Yu Tung**, Auckland (NZ)

(73) Assignee: **Masport Limited**, Auckland (NZ)

(**) Term: **14 Years**

(21) Appl. No.: **29/507,062**

(22) Filed: **Oct. 23, 2014**

(51) **LOC (10) Cl.** **15-03**

(52) **U.S. Cl.**
USPC **D15/14; D15/17**

(58) **Field of Classification Search**
USPC **D15/10, 14-18; 56/12.8, 12.7, 13.4, 56/16.7, 17.5, 202, 254, 255, 294, 11.4, 56/320.1, 320.2, 249, 252, 11.9, 17.1, 56/17.4, 295; 280/43.17**
See application file for complete search history.

(56) **References Cited**

U.S. PATENT DOCUMENTS

- D457,897 S * 5/2002 Jong D15/14
- D458,277 S * 6/2002 Stratford D15/14
- D497,918 S * 11/2004 Osborne et al. D15/14

- D544,501 S * 6/2007 Chung Lee D15/14
- D581,951 S * 12/2008 Bochmann et al. D15/14
- D605,667 S * 12/2009 Peterson et al. D15/14
- D620,029 S * 7/2010 Baetica D15/14
- D620,030 S * 7/2010 Baetica D15/14
- D622,291 S * 8/2010 Martin et al. D15/14
- D627,371 S * 11/2010 Baetica D15/14
- D627,372 S * 11/2010 Baetica D15/14
- D646,698 S * 10/2011 Park D15/14
- D652,846 S * 1/2012 Stratford et al. D15/14
- D653,265 S * 1/2012 Stratford et al. D15/14
- D665,823 S * 8/2012 Hannig D15/14

* cited by examiner

Primary Examiner — Mark Goodwin

(74) *Attorney, Agent, or Firm* — Jacobson Holman, PLLC.

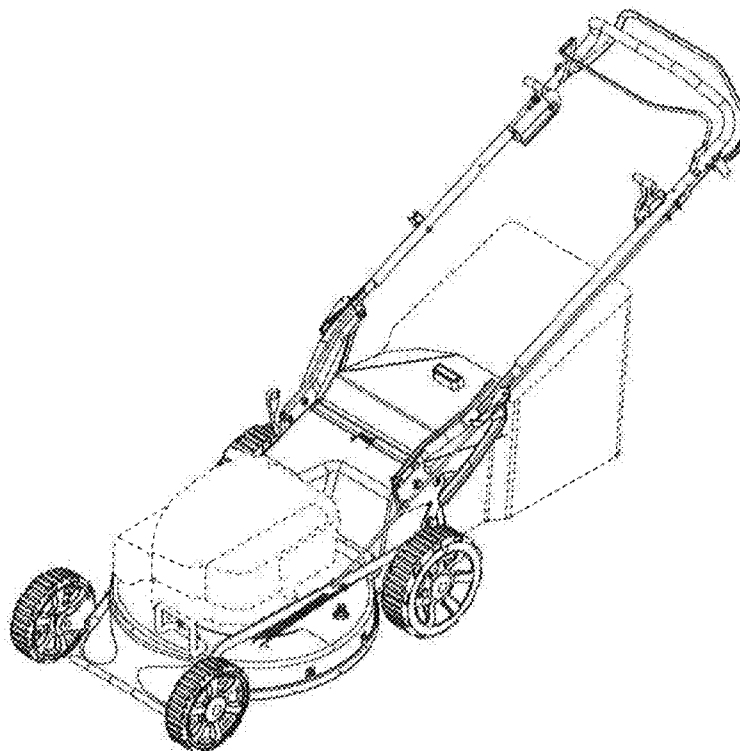
(57) **CLAIM**

We claim the ornamental design for the lawn mower, as shown and described.

DESCRIPTION

FIG. 1 is a right front perspective of the lawn mower embodying our design;
 FIG. 2 is a left front perspective of FIG. 1;
 FIG. 3 is a front elevational view of FIG. 1;
 FIG. 4 is a rear elevational view of FIG. 1;
 FIG. 5 is a right side elevational view of FIG. 1;
 FIG. 6 is a left side elevational view of FIG. 1; and,
 FIG. 7 is a top plan view of FIG. 1.
 The broken lines illustrate portions of the lawn mower that form no part of the claimed design.

1 Claim, 7 Drawing Sheets



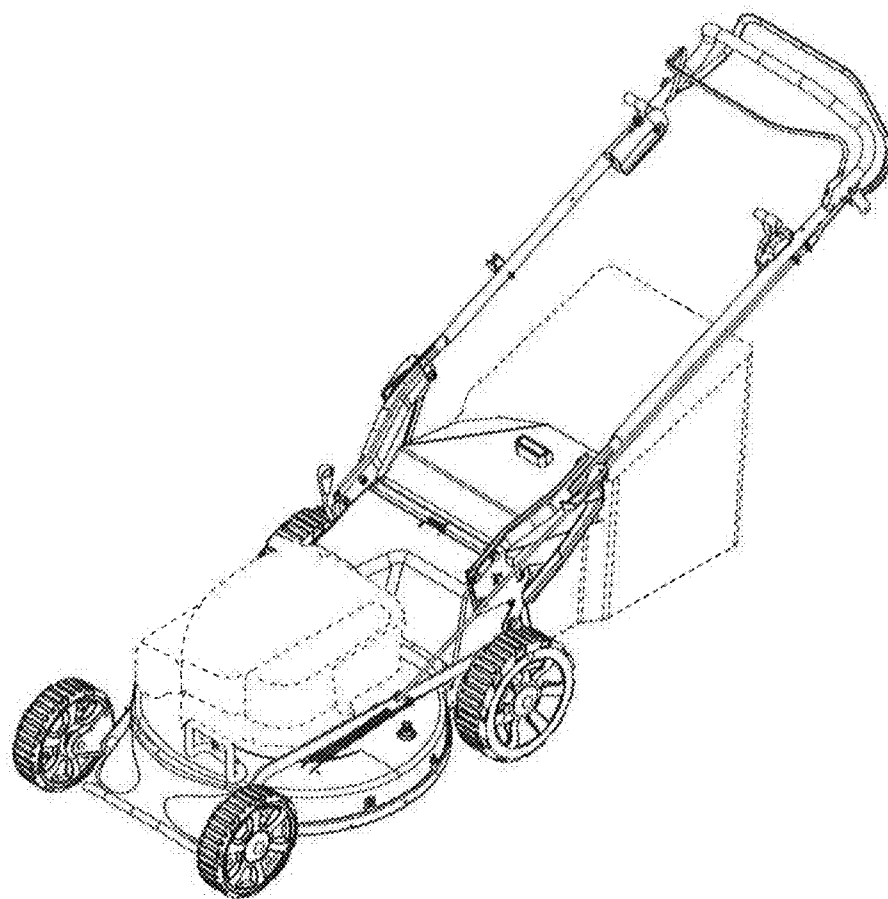


FIGURE 1

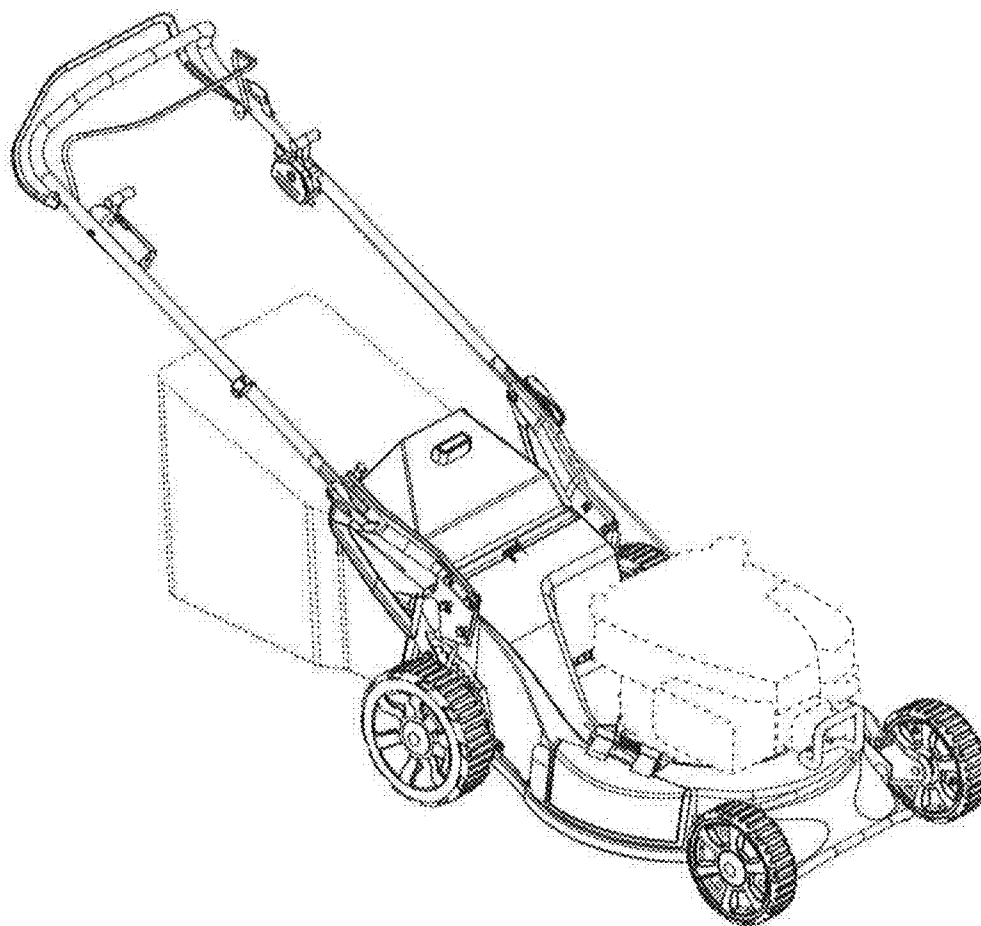


FIGURE 2

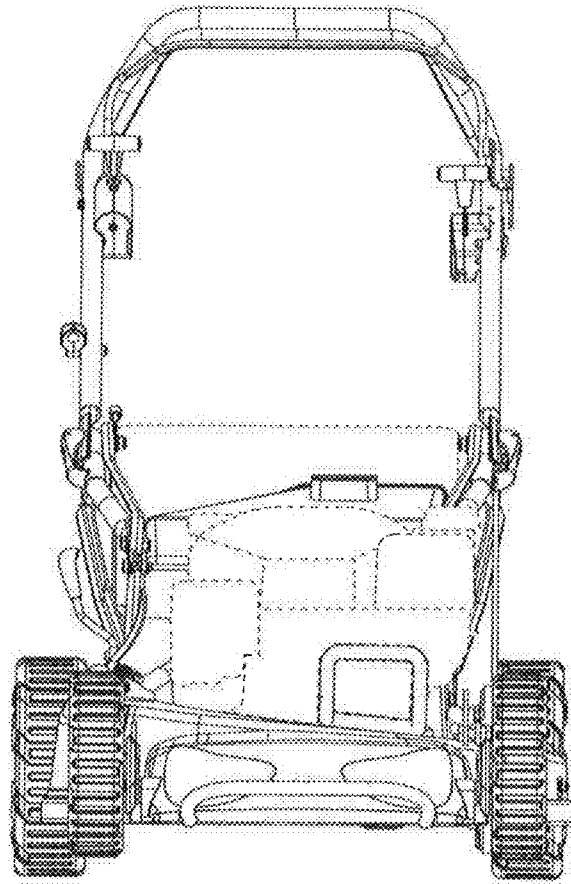


FIGURE 3

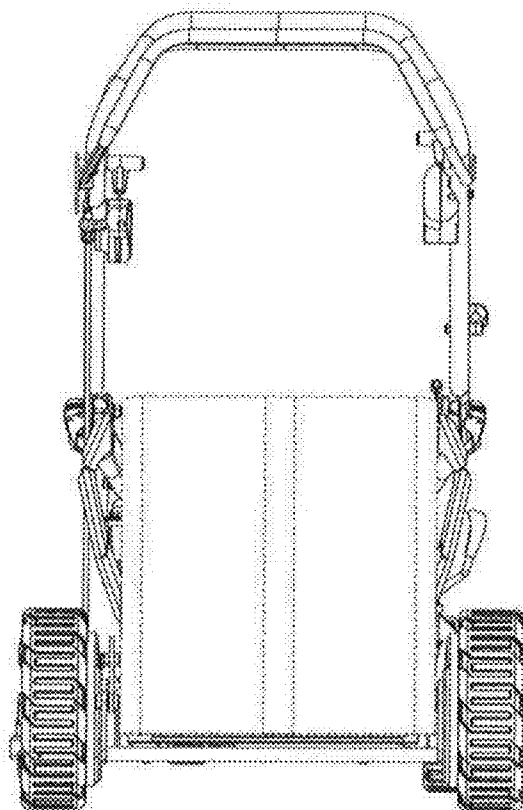


FIGURE 4

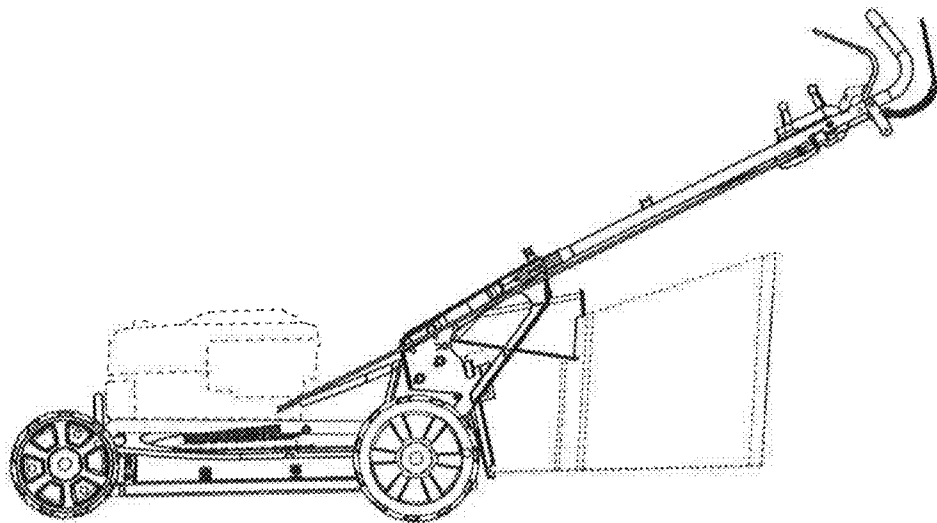


FIGURE 5

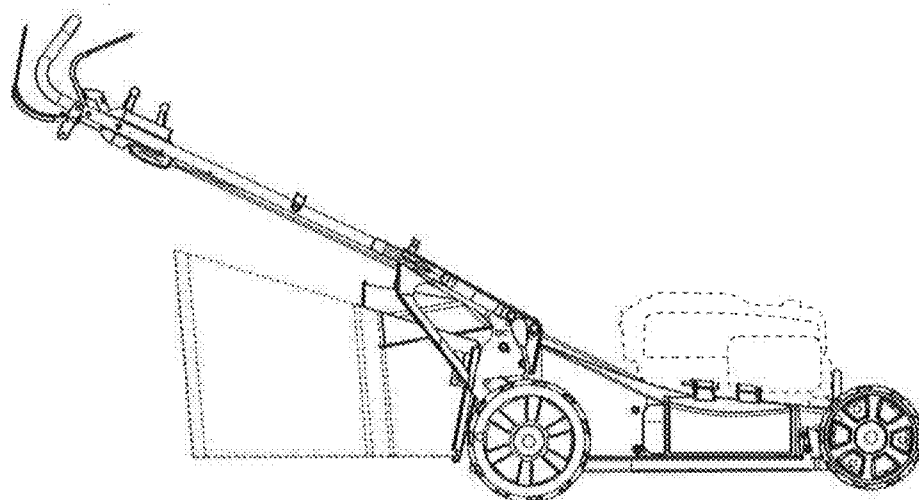


FIGURE 6

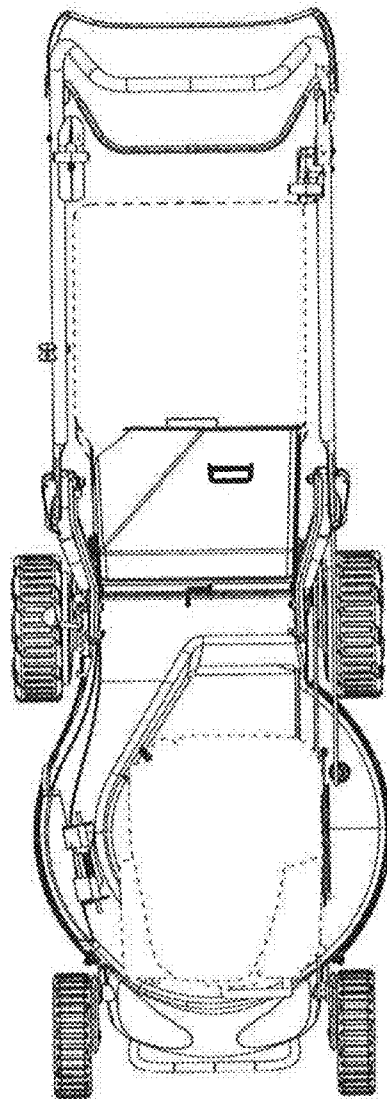


FIGURE 7