



US00D905831S

(12) **United States Design Patent**
Provenzano et al.

(10) **Patent No.:** **US D905,831 S**

(45) **Date of Patent:** **** *Dec. 22, 2020**

(54) **CONDUIT COUPLER**
(71) Applicant: **ELECTRONIC CUSTOM DISTRIBUTORS, INC.**, Houston, TX (US)

D839,213 S * 1/2019 Maroney D13/154
D852,334 S * 6/2019 Sfredel D23/260
D859,973 S * 9/2019 Foerster, Jr. D8/397
D880,423 S * 4/2020 Obata D13/133
2012/0200081 A1* 8/2012 Reznar F16L 33/00
285/313
2019/0330947 A1* 10/2019 Mulhern E21B 23/10

(72) Inventors: **Charles J. Provenzano**, Houston, TX (US); **Michael Leung**, Missouri City, TX (US)

OTHER PUBLICATIONS

(73) Assignee: **Electronic Custom Distributors, Inc.**, Houston, TX (US)

DCPC100ADC DirectConnect 1" Conduit Adapter to 2" Nut Coupler; ECD, Inc Website Copyright Date 2020; Visited Online Jun. 11, 2020 ; <https://www.ecdcom.com/index.jsp?path=product&part=34817&ds=dept&process=search&qdx=0&ID=%2CNetwork%2CTelecom%2Cdept-1M5> (Year: 2020).*

(*) Notice: This patent is subject to a terminal disclaimer.

* cited by examiner

(**) Term: **15 Years**

Primary Examiner — Amy C Wierenga

(21) Appl. No.: **29/669,313**

(74) *Attorney, Agent, or Firm* — Mark E. Scott; Dickinson Wright PLLC

(22) Filed: **Nov. 7, 2018**

(51) **LOC (12) Cl.** **23-01**

(57) **CLAIM**

(52) **U.S. Cl.**
USPC **D23/262**

The ornamental design for a conduit coupler, as shown and described.

(58) **Field of Classification Search**
USPC D23/259–260, 262, 264–266; D8/382, D8/387, 394, 396–397; D13/133, 50, D13/154–156; 285/345, 377, 388, 390; 439/246, 256–257, 483

DESCRIPTION

See application file for complete search history.

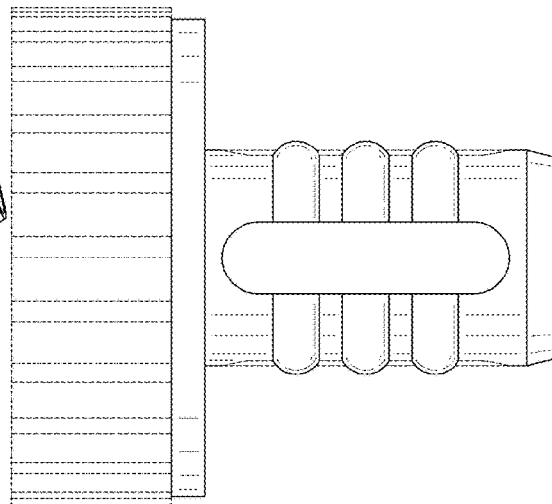
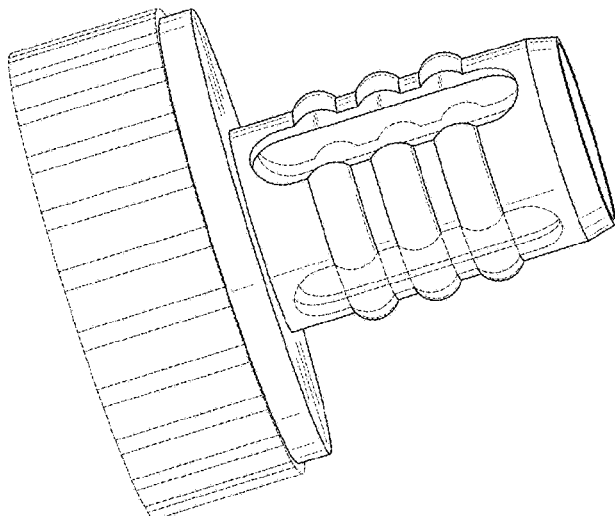
FIG. 1 is a perspective view of a conduit coupler showing the new design;
FIG. 2 is a first side view thereof with a nut attached;
FIG. 3 is a second side view thereof with the nut attached, the second side view opposite the first side view;
FIG. 4 is a top view thereof;
FIG. 5 is a bottom view thereof;
FIG. 6 is the first side view as shown in FIG. 2 with the nut removed; and,
FIG. 7 is a perspective view showing the conduit coupler in a position of use in an example environment.
The broken lines shown in the drawings represent portions of the conduit coupler and environment that form no part of the claim.

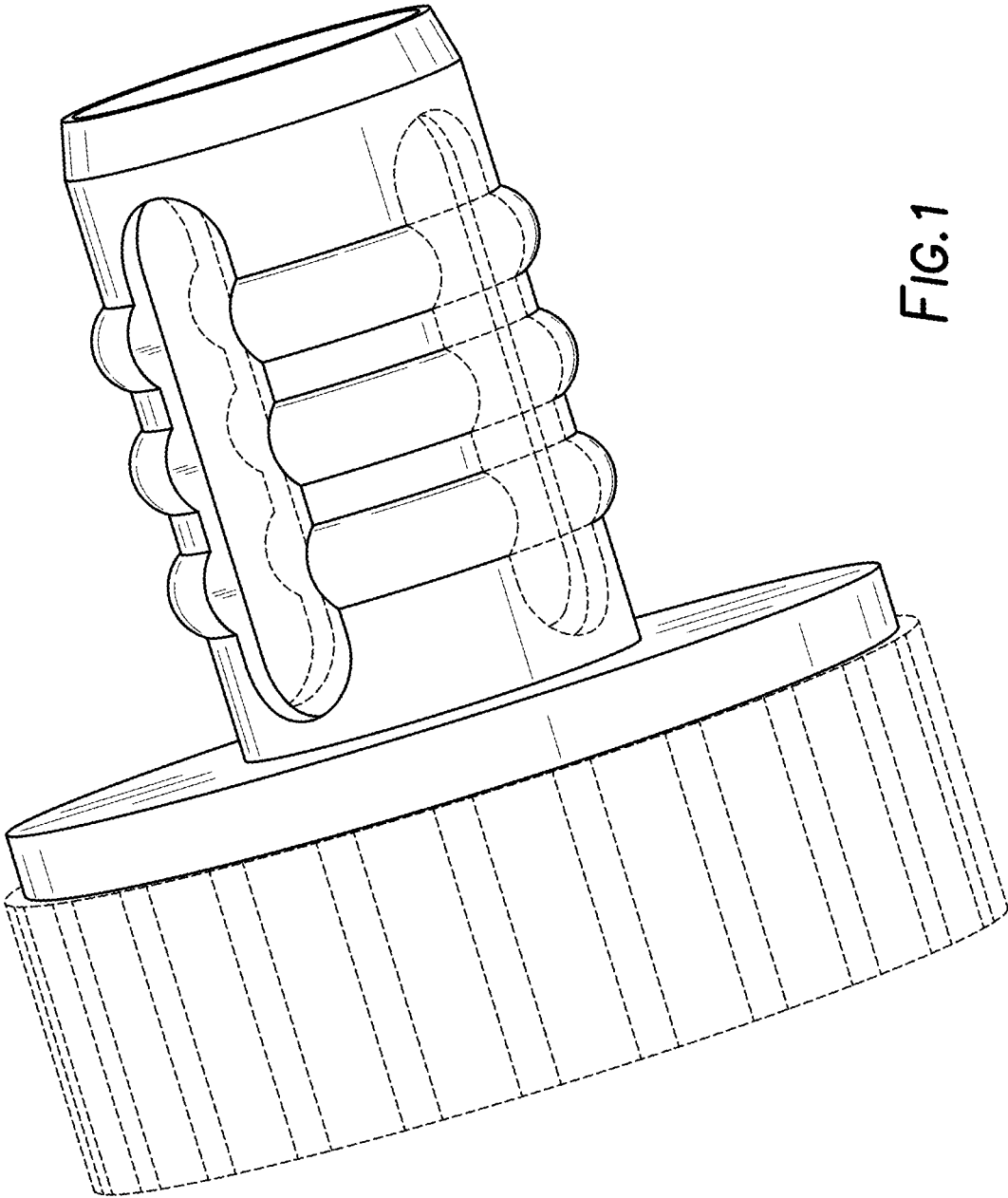
(56) **References Cited**

U.S. PATENT DOCUMENTS

D299,267 S * 1/1989 Roman D23/262
D363,767 S * 10/1995 Swaim D23/260
7,364,450 B2 * 4/2008 Hafner H01R 13/622
439/253
7,503,788 B2 * 3/2009 Holterhoff H01R 13/622
439/256
D701,494 S * 3/2014 Errato, Jr. H01R 13/5845
D13/154
D774,628 S * 12/2016 Provenzano D23/262
D834,531 S * 11/2018 Maroney D13/154

1 Claim, 7 Drawing Sheets





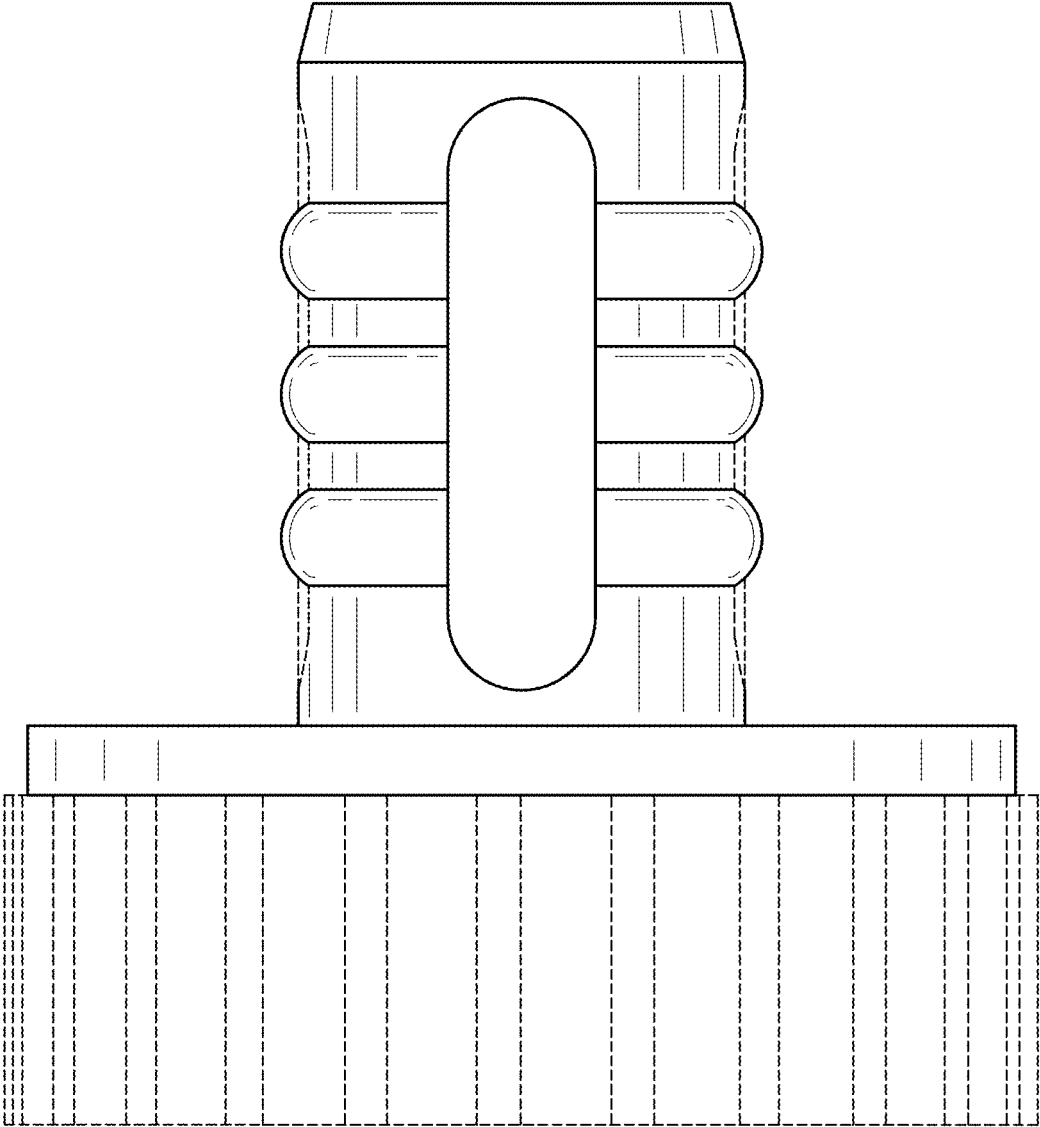


FIG.2

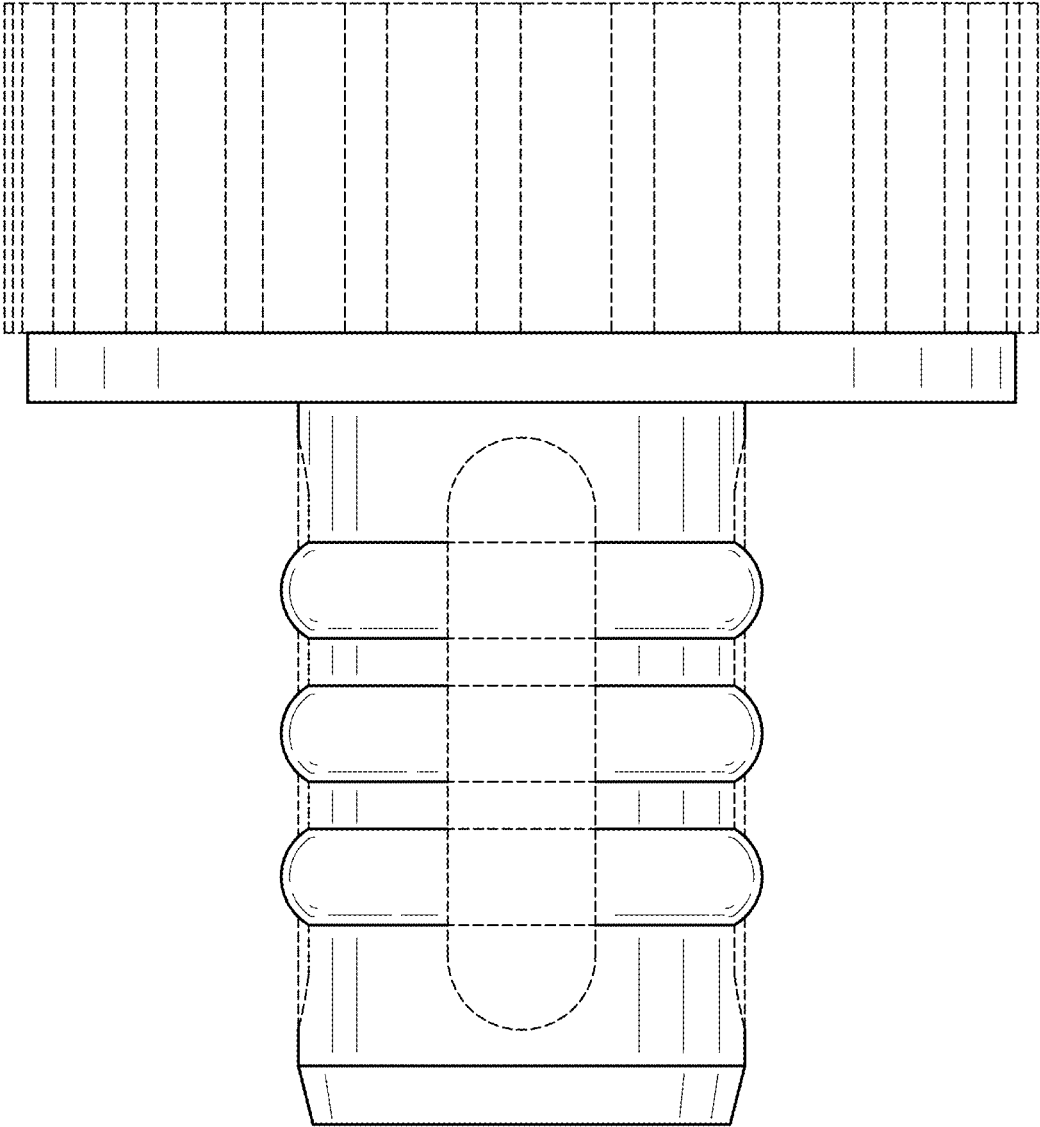


FIG.3

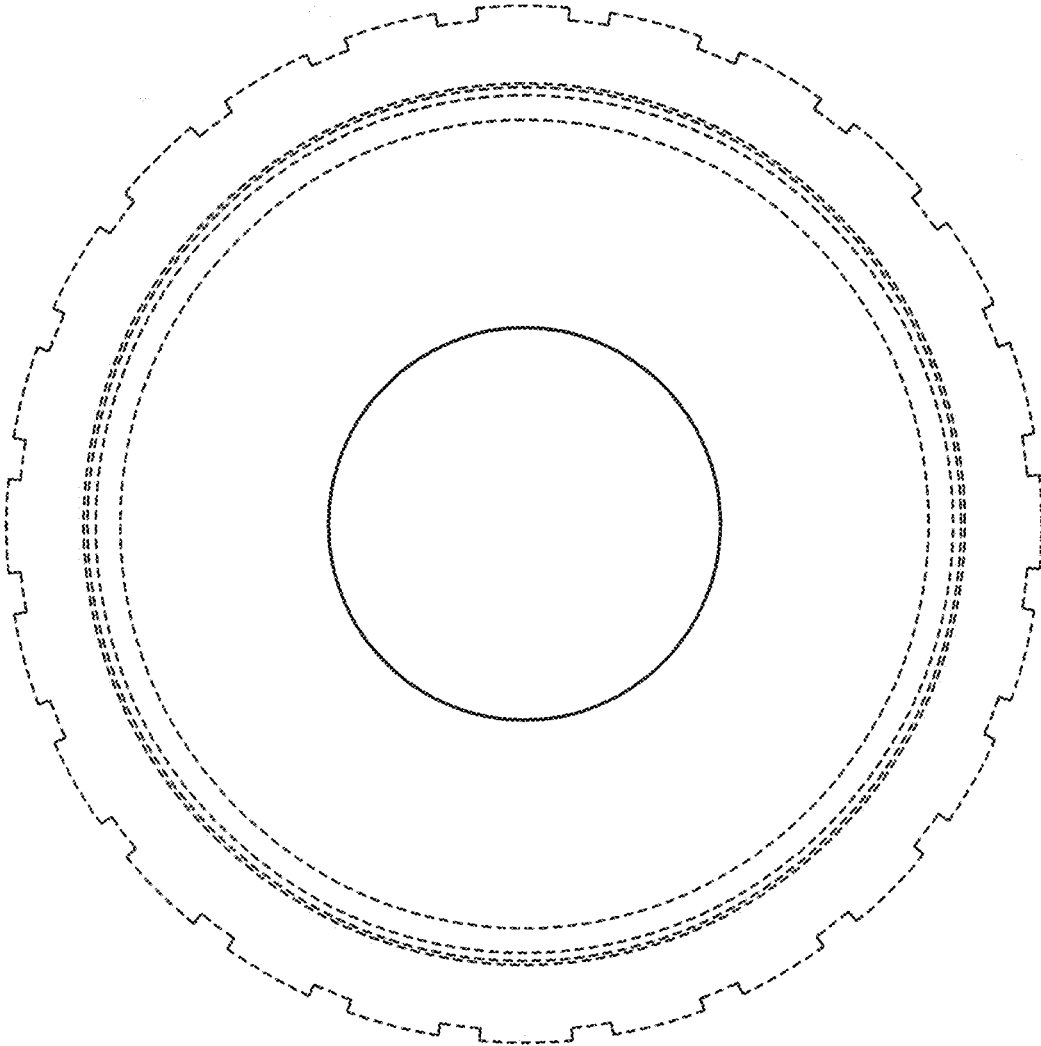


FIG.4

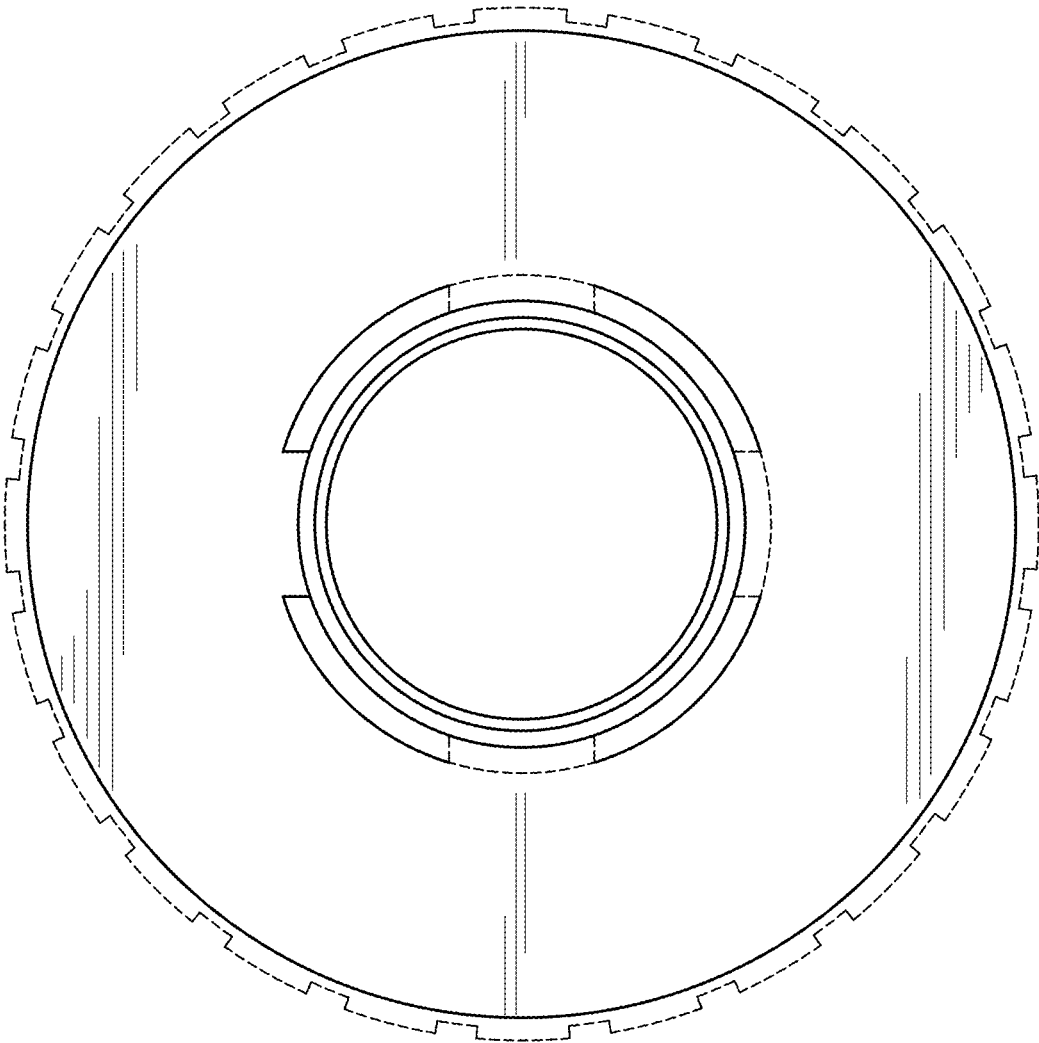


FIG.5

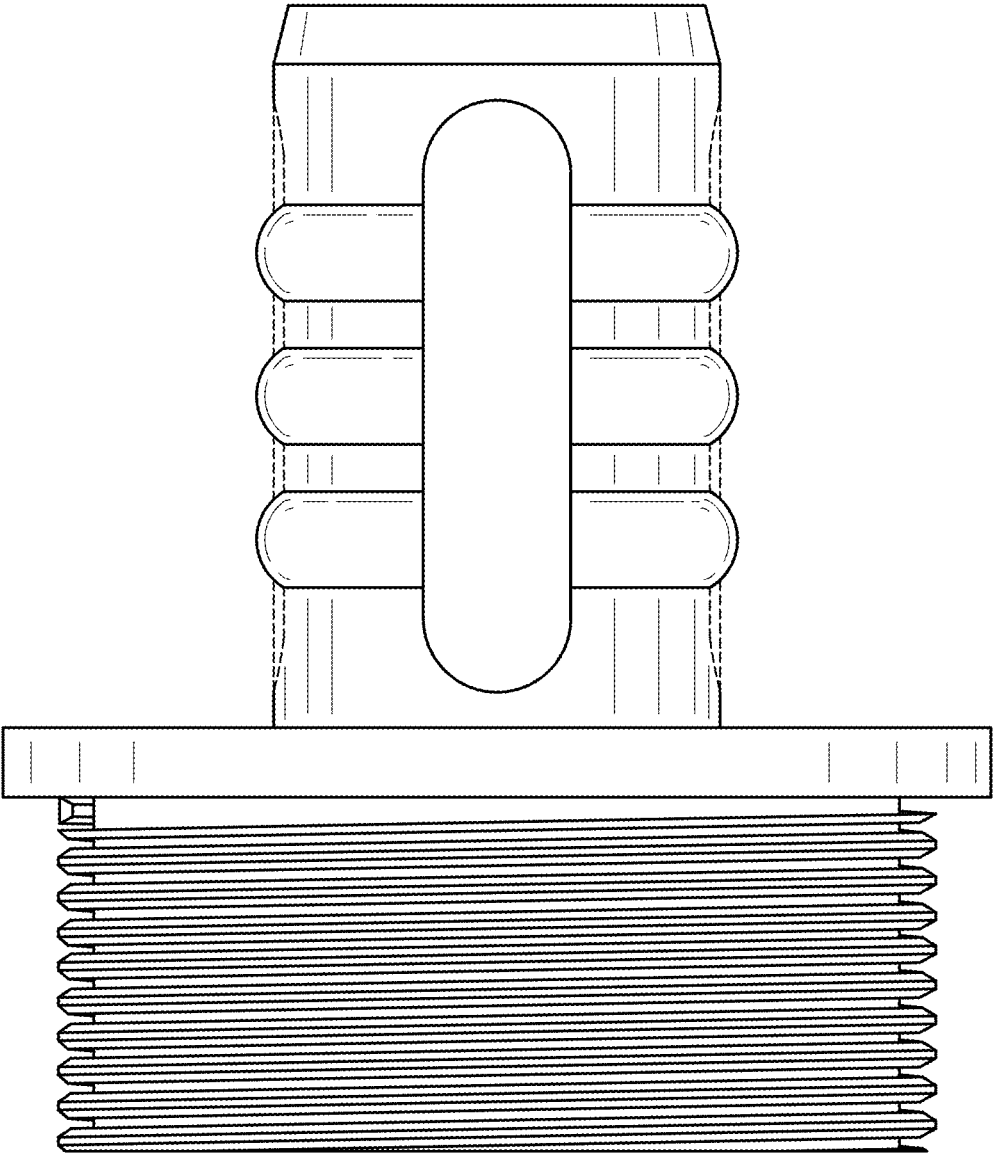


FIG. 6

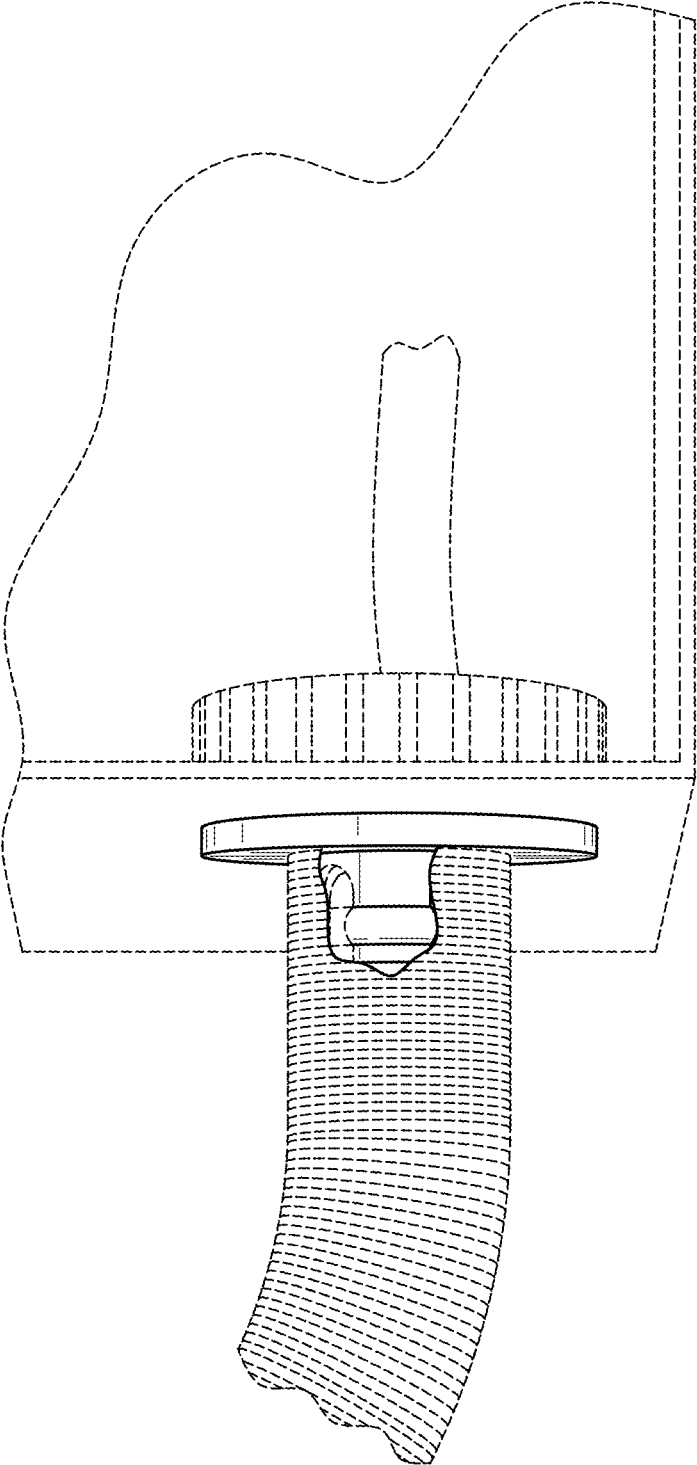


FIG.7