



US00D367732S

United States Patent [19]

[11] Patent Number: Des. 367,732

Murphy et al.

[45] Date of Patent: **Mar. 5, 1996

[54] VENTED PET KENNEL

OTHER PUBLICATIONS

[75] Inventors: **Thomas B. Murphy**, Arlington;
Melaney L. Northrop, Cleburne;
Richard Nesbitt, Arlington, all of Tex.

Stylette Pet Products brochure; Cover Page; Litterbox.
Wholesale Veterinary Supply Catalog; Dorskocil Litter Pan;
Pet Catalogs Box #6.
The Alsto Company handy helpers Catalog; p. 26.

[73] Assignee: **Dorskocil Manufacturing Company, Inc.**, Arlington, Tex.

Primary Examiner—Cathy Anne MacCormac
Attorney, Agent, or Firm—Andrew J. Dillon

[**] Term: 14 Years

[57] CLAIM

[21] Appl. No.: 23,823

The ornamental design for a vented pet kennel, as shown and described.

[22] Filed: Jun. 1, 1994

DESCRIPTION

[52] U.S. Cl. D30/108

[58] Field of Search D30/108-109,
D30/161; 119/19, 15, 165

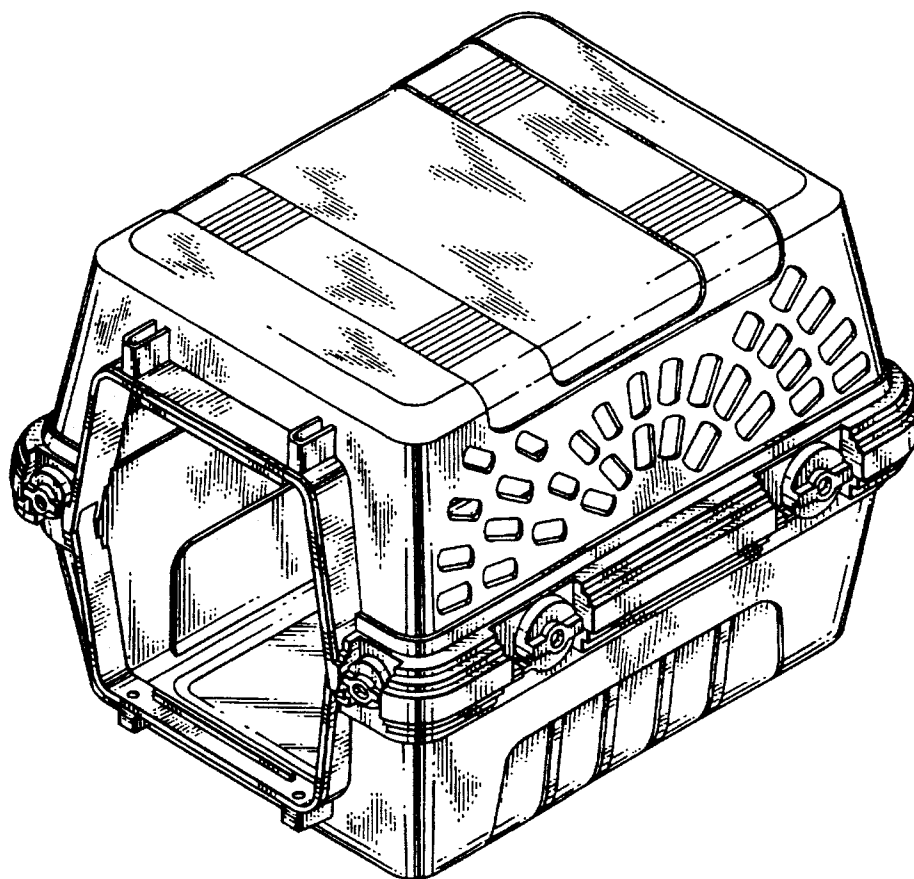
FIG. 1 is a perspective view of the vented pet kennel of the present invention;
FIG. 2 is a top view of the vented pet kennel of the present invention;
FIG. 3 is a front view of the vented pet kennel of the present invention;
FIG. 4 is a left side view of the vented pet kennel of the present invention;
FIG. 5 is a rear view of the vented pet kennel of the present invention;
FIG. 6 is a right side view of the vented pet kennel of the present invention; and,
FIG. 7 is a bottom view of the vented pet kennel of the present invention.

[56] References Cited

U.S. PATENT DOCUMENTS

D. 279,944	8/1985	McLaren et al.	D30/108
D. 300,965	5/1989	Conner	D30/161
D. 300,966	5/1989	Conner	D30/161
D. 300,967	5/1989	Conner	D30/161
D. 300,968	5/1989	Conner	D30/161
D. 308,429	6/1990	Van Skiver	D30/109
D. 308,588	6/1990	Goetz	D30/109
D. 312,333	11/1990	Van Skiver	D30/109
D. 334,087	3/1993	Goetz	D30/108
5,220,885	6/1993	Goetz	119/19

1 Claim, 4 Drawing Sheets



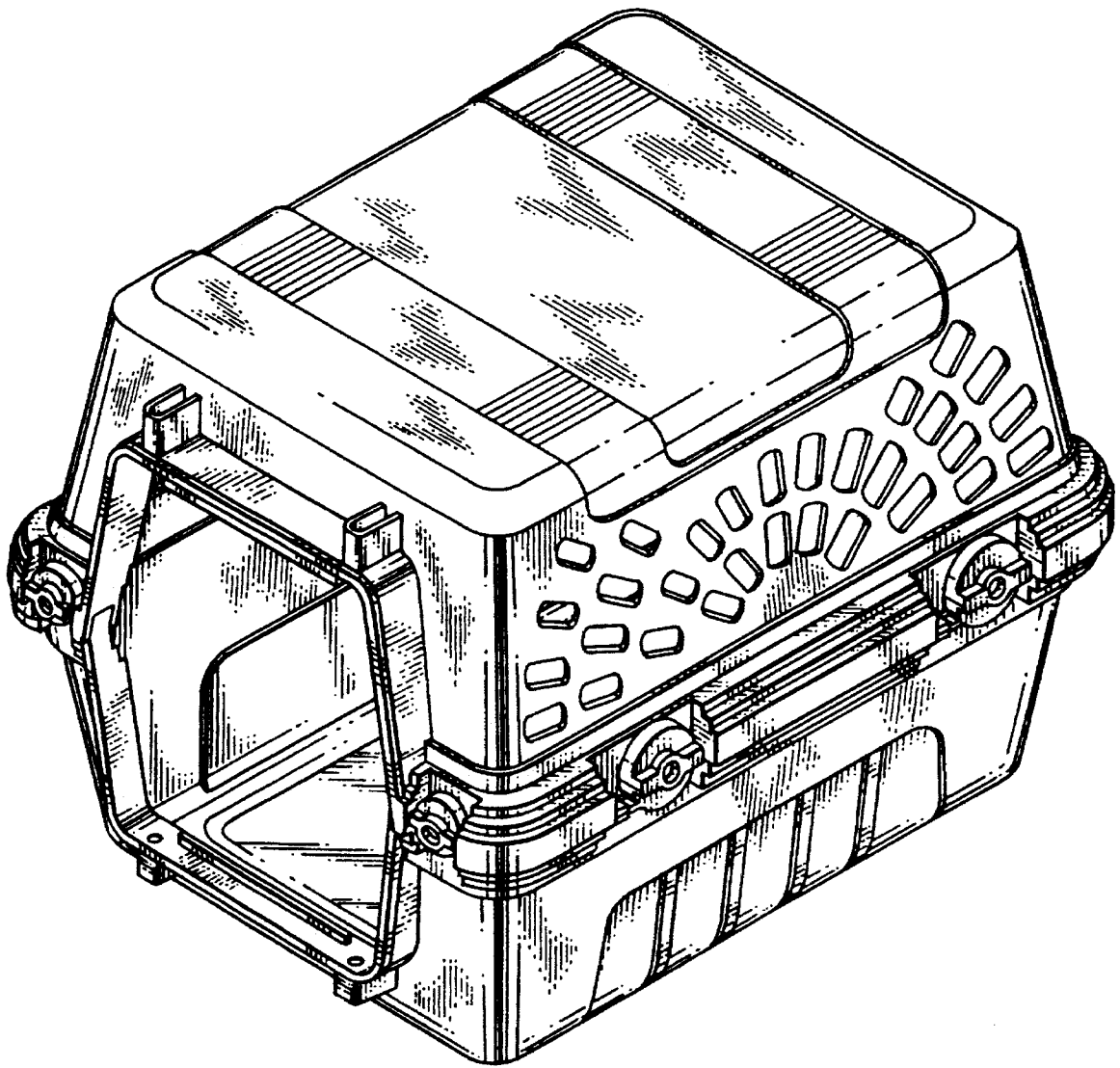


Fig. 1

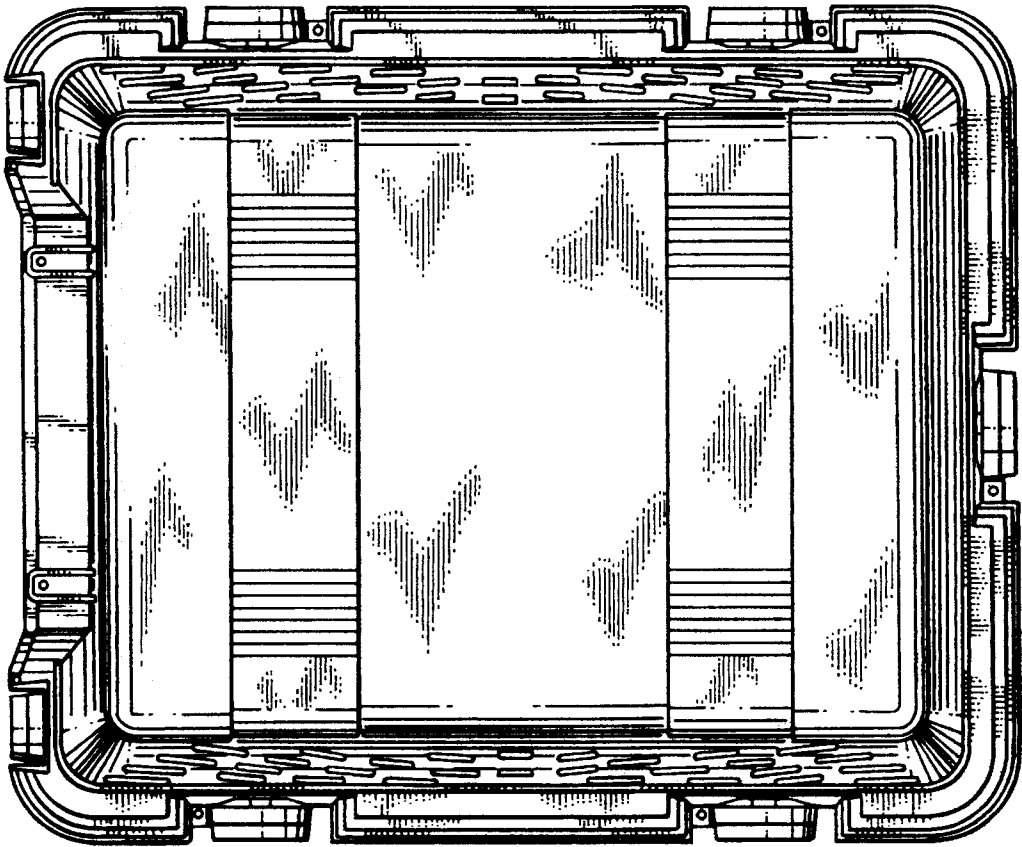


Fig. 2

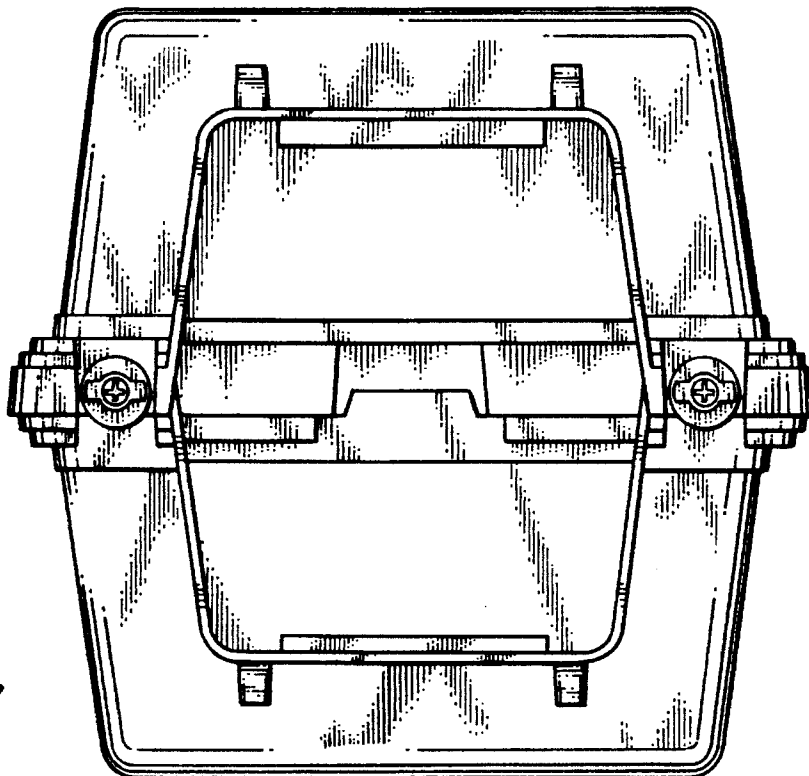


Fig. 3

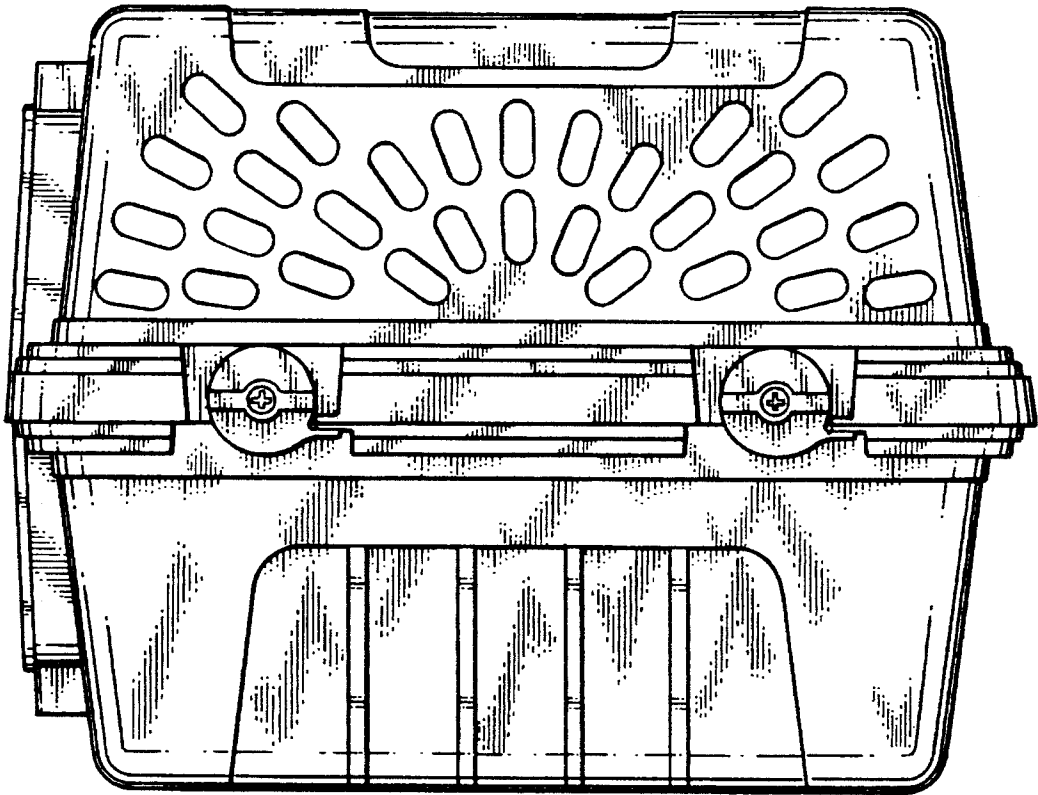


Fig. 4

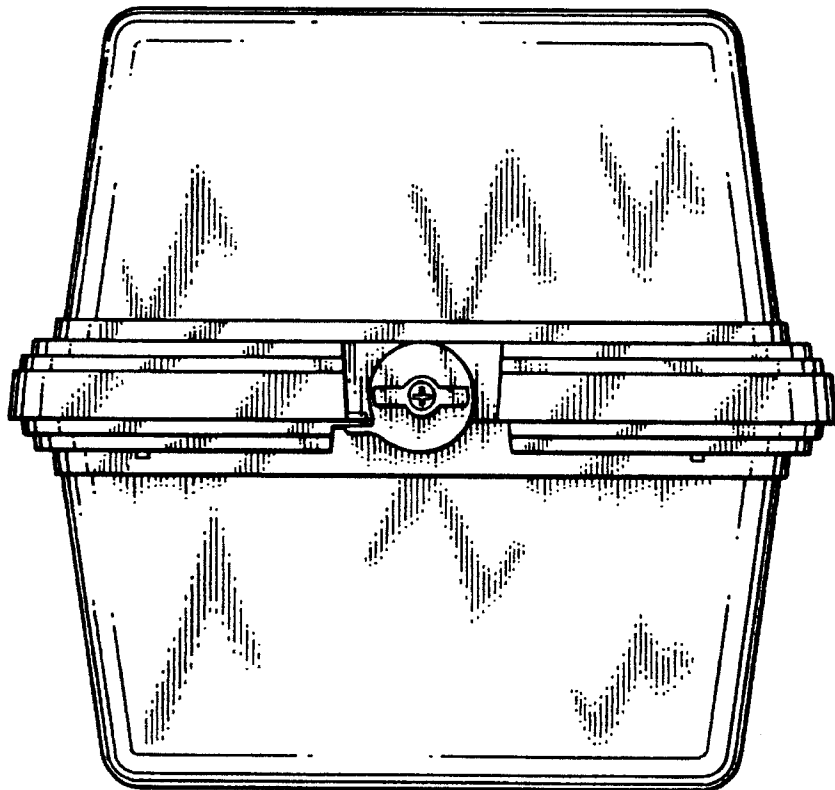


Fig. 5

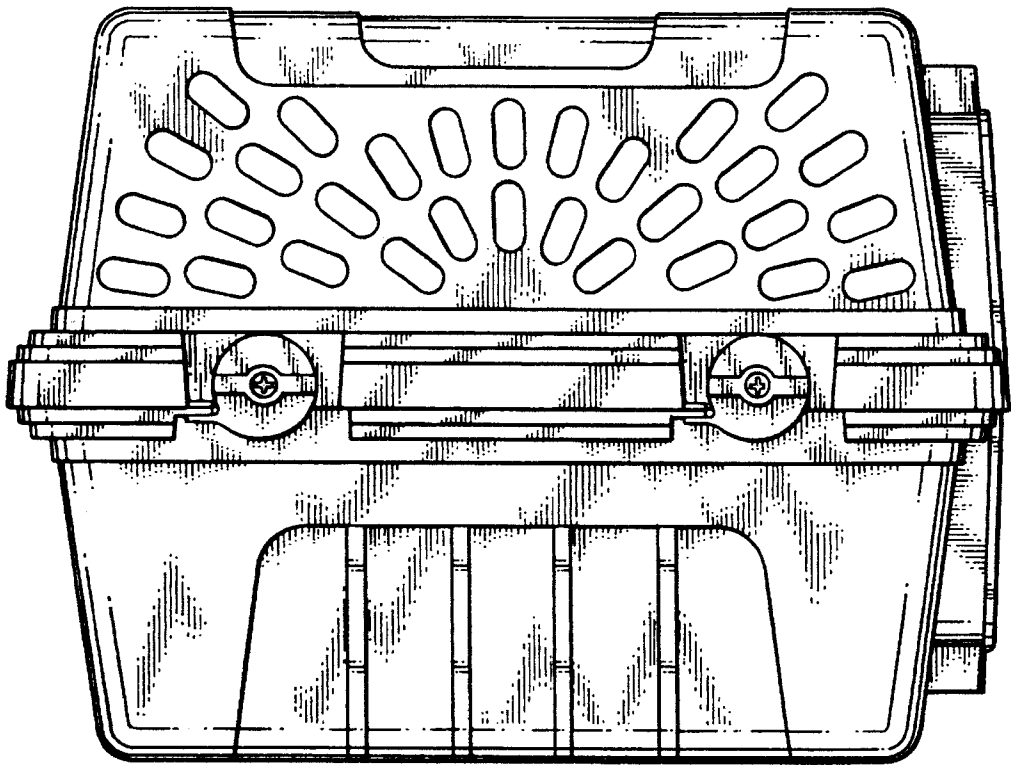


Fig. 6

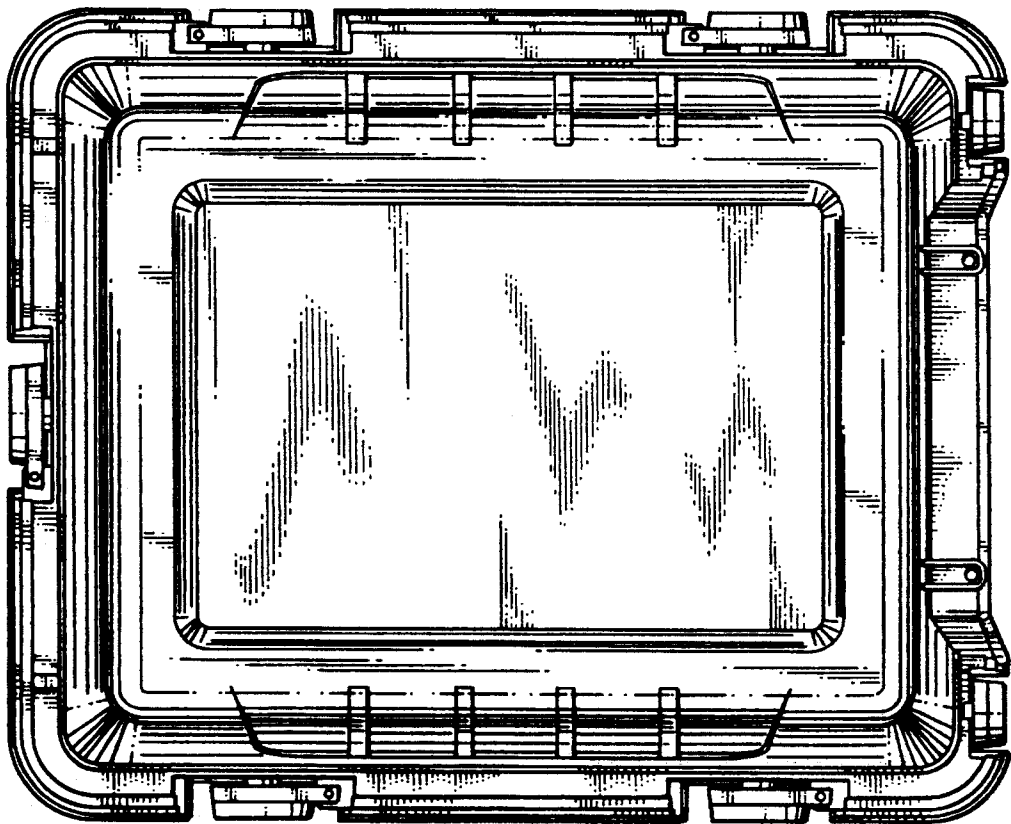


Fig. 7