

(12) **United States Design Patent**
Clahsen et al.

(10) **Patent No.:** **US D787,612 S**
(45) **Date of Patent:** **** May 23, 2017**

- (54) **TOY STACKING CONSTRUCTION BLOCK SET**
- (71) Applicant: **Huntar Company**, Union City, CA (US)
- (72) Inventors: **Peer Clahsen**, Schopfheim (DE); **Klaus Pfeffer**, Echzell (DE)
- (73) Assignee: **POPULAR PLAYTHINGS**, Union City, CA (US)
- (**) Term: **14 Years**
- (21) Appl. No.: **29/474,631**
- (22) Filed: **Dec. 5, 2014**
- (51) **LOC (10) Cl.** **21-01**
- (52) **U.S. Cl.**
USPC **D21/505**
- (58) **Field of Classification Search**
USPC D21/386, 389, 404, 468, 470, 471, 479, D21/484-505; 446/69, 85, 102-128; 434/208, 259, 403; 273/153 R, 156, 273/157 R, 160, 276; D25/113-116, 118
CPC .. A63F 9/12; A63F 9/1204; A63F 2009/1236; A63F 2009/1248; A63F 2009/1208; A63F 2009/1288; A63F 2009/1292; A63H 33/04; A63H 33/044
See application file for complete search history.

- 5,168,677 A * 12/1992 Pronsato A63F 9/1208 52/81.1
5,354,224 A * 10/1994 Ishiyama A63H 33/04 446/110
5,407,201 A * 4/1995 Whitehurst A63F 9/12 273/153 P
D409,687 S * 5/1999 Mak D21/505
D411,865 S * 7/1999 Mak D21/504
6,224,453 B1 * 5/2001 McKinley, Jr. A63H 33/04 446/117
6,257,574 B1 * 7/2001 Evans A63F 9/12 273/157 R
D473,349 S * 4/2003 Willinger D30/160
- (Continued)

Primary Examiner — Cynthia M Chin
(74) *Attorney, Agent, or Firm* — Jonathan E. Grant; Grant Patent Services

(57) **CLAIM**

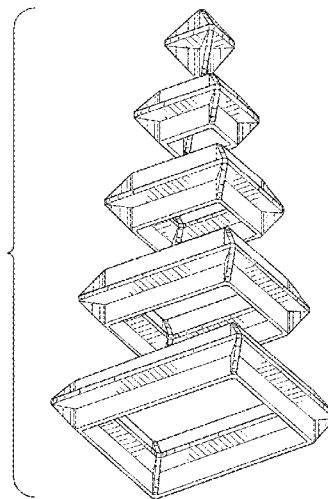
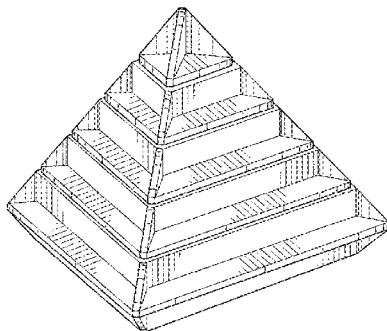
The ornamental design for a toy stacking construction block set, as shown as described.

DESCRIPTION

FIG. 1 is a perspective view of a toy stacking construction block set;
FIG. 2 is an exploded perspective view of the toy stacking construction block set;
FIG. 3 is a top view of the toy stacking construction block set;
FIG. 4 is a bottom view of the toy stacking construction block set;
FIG. 5 is a side view of the toy stacking construction block set;
FIG. 6 is view of an alternate arrangement of the toy stacking construction block set;
FIG. 7 is a cross sectional view along the longitudinal center line 7-7 of the stacked block set in FIG. 4; and,
FIG. 8 is a cross sectional view along the longitudinal center line 8-8 of the stacked block set in FIG. 4.

1 Claim, 5 Drawing Sheets

- (56) **References Cited**
U.S. PATENT DOCUMENTS
- 1,565,901 A * 12/1925 Brandt A63F 9/0073 273/153 P
4,121,831 A * 10/1978 Greene A63F 9/12 273/160
4,323,245 A * 4/1982 Beaman A63F 9/1288 273/157 R
D275,022 S * 8/1984 Simpson D21/471
4,934,701 A * 6/1990 Ting A63F 9/12 273/157 R



(56)

References Cited

U.S. PATENT DOCUMENTS

D599,416	S	*	9/2009	Turco-Rivas	D21/471
D650,866	S	*	12/2011	Clahsen	D21/484
D664,215	S	*	7/2012	Clahsen	D21/484
D683,799	S	*	6/2013	Kiecker	D21/484

* cited by examiner

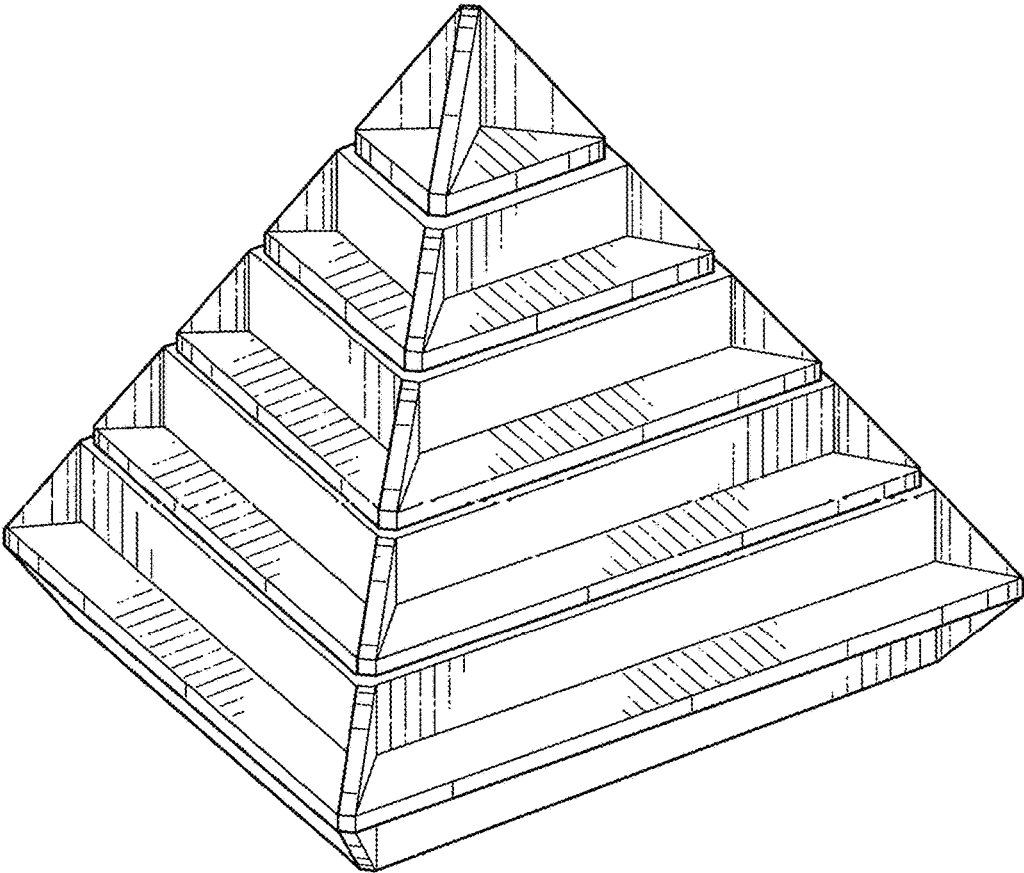


FIG. 1

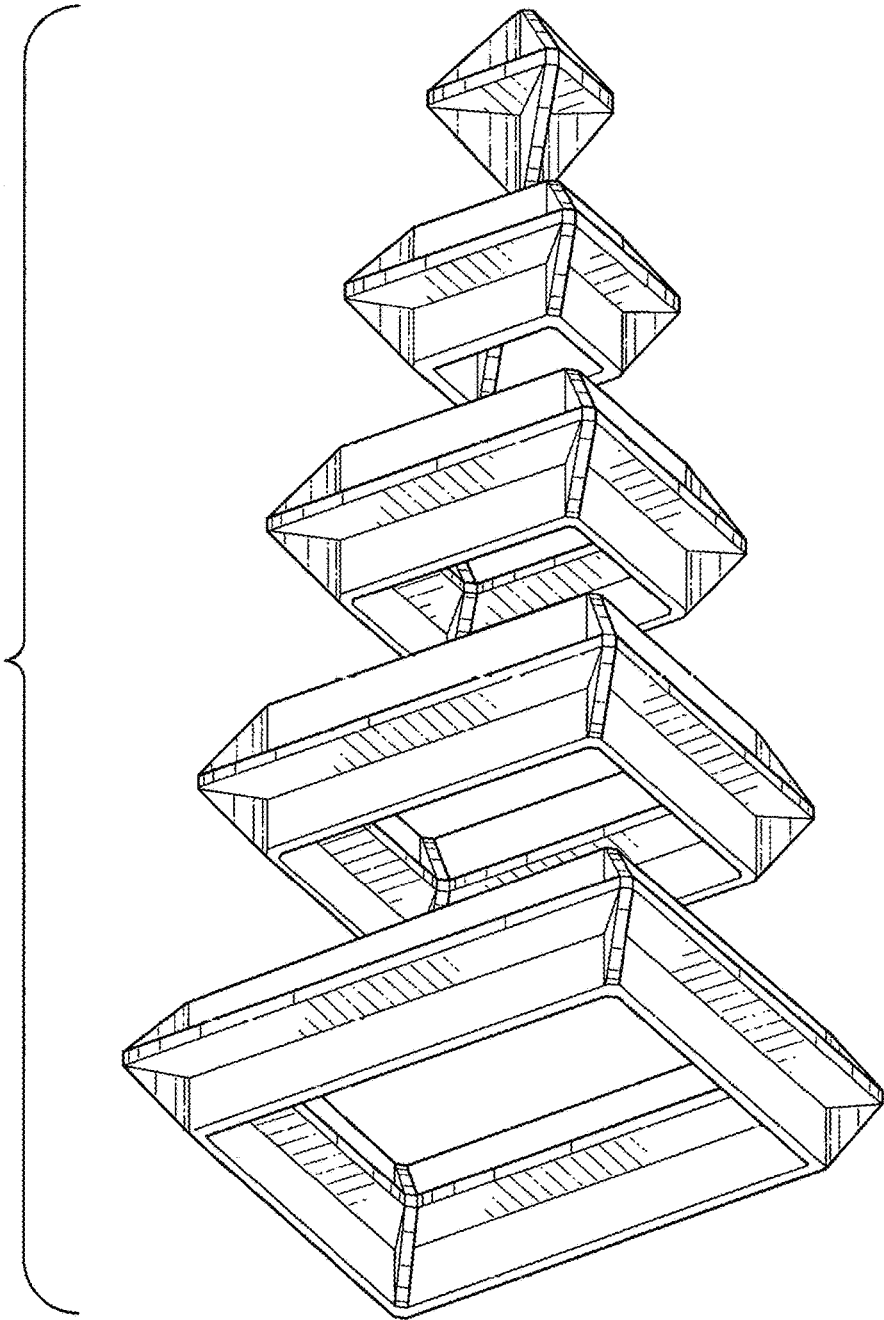


FIG. 2

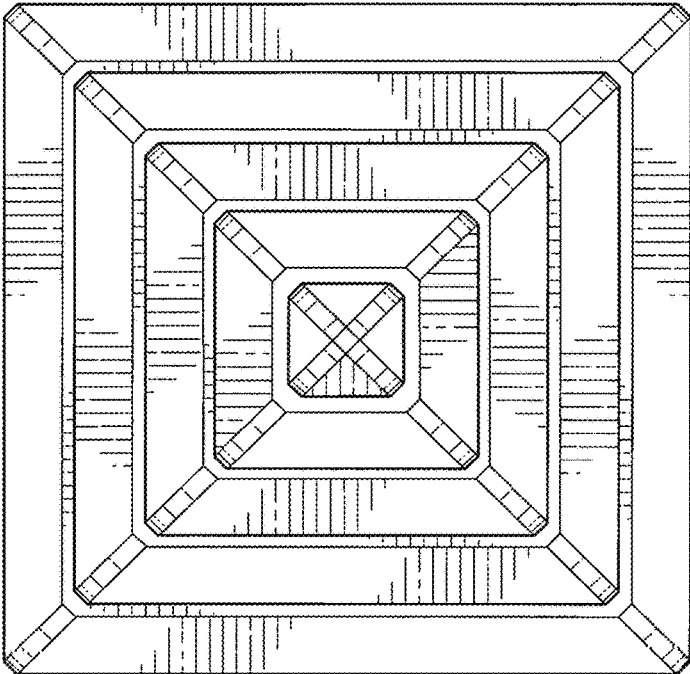


FIG. 3

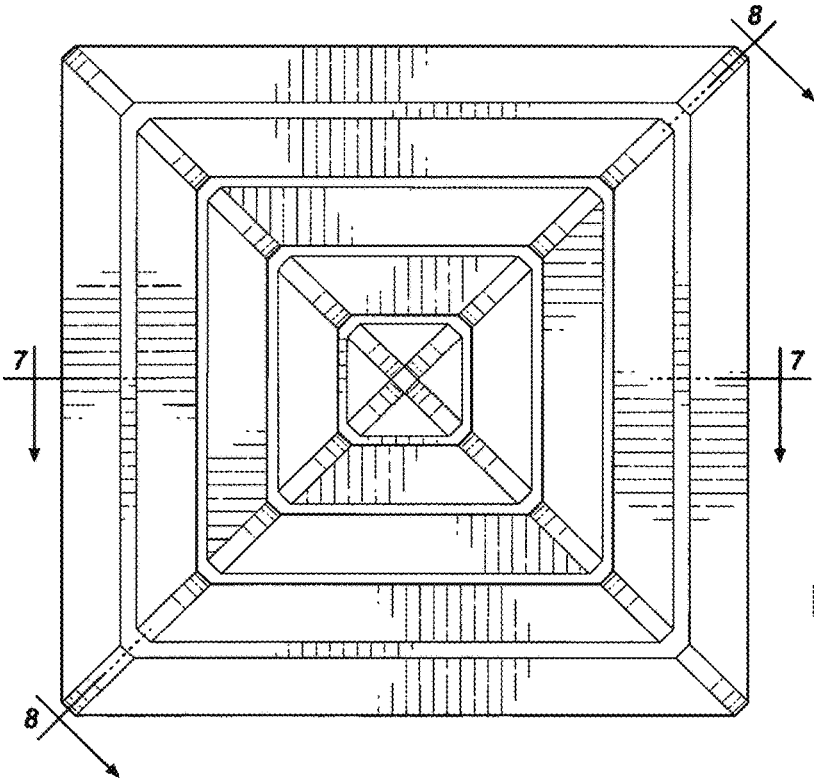


FIG. 4

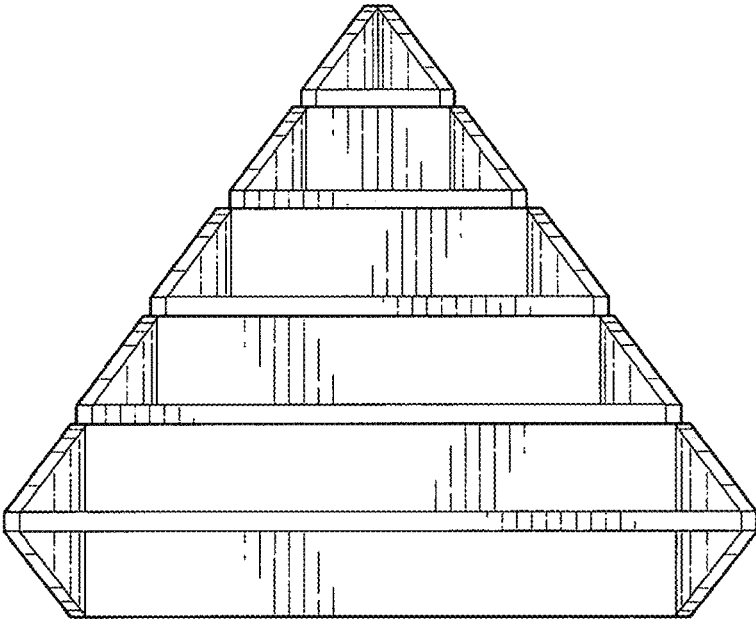


FIG. 5

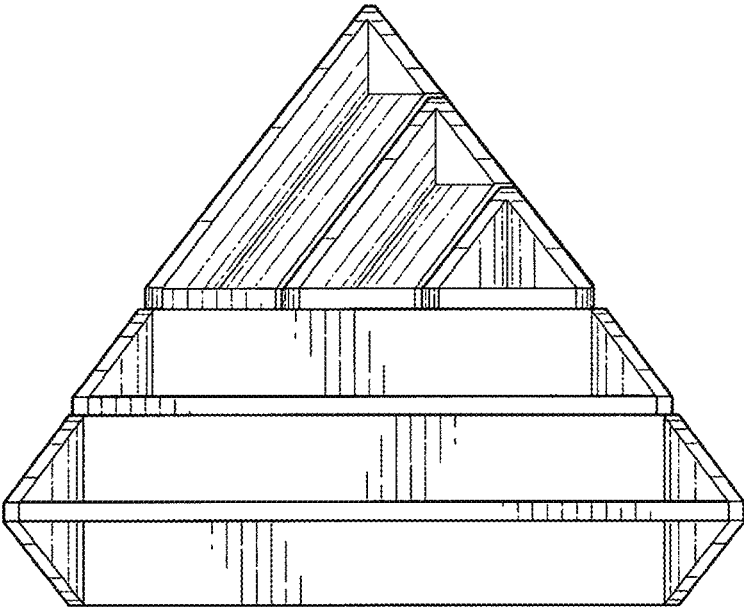


FIG. 6

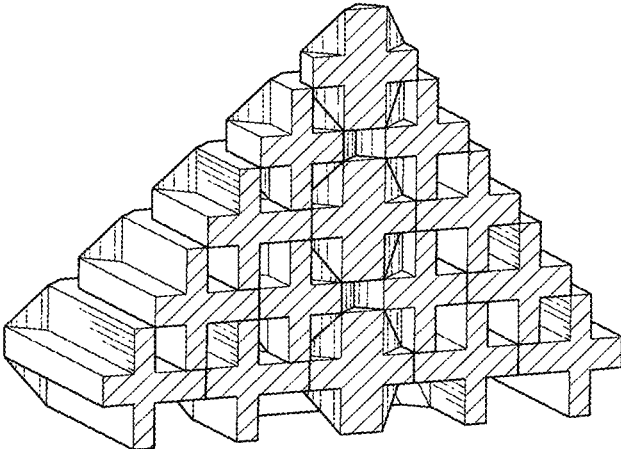


FIG. 7

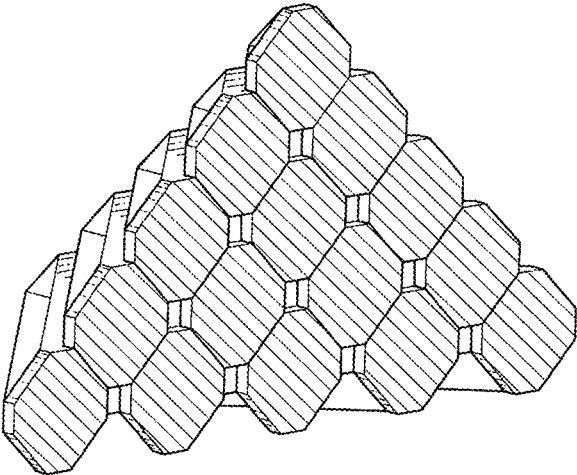


FIG. 8