



US00D976687S

(12) **United States Design Patent**  
**Betzler et al.**

(10) **Patent No.:** **US D976,687 S**

(45) **Date of Patent:** **\*\* Jan. 31, 2023**

(54) **UNDERWATER HOOKS**

D391,473 S \* 3/1998 Striebel ..... D8/367  
D391,474 S \* 3/1998 Striebel ..... D8/367  
D391,475 S \* 3/1998 Striebel ..... D8/367

(71) Applicant: **RUD KETTEN RIEGER & DIETZ**  
**GMBH U. CO. KG, Aalen (DE)**

(Continued)

(72) Inventors: **Michael Betzler, Abtsgmünd (DE);**  
**Lukas Mühlberger, Bopfingen (DE)**

**FOREIGN PATENT DOCUMENTS**

DE 202011103255 U1 10/2011  
DE 102010027153 A1 1/2012

(73) Assignee: **RUD KETTEN RIEGER & DIETZ**  
**GMBH U. CO. KG, Aalen (DE)**

(Continued)

(\*\*) Term: **15 Years**

**OTHER PUBLICATIONS**

(21) Appl. No.: **29/725,767**

Office Action for German Patent Application No. 102019213151.4 dated Aug. 5, 2020, 10 pages.

(22) Filed: **Feb. 27, 2020**

(Continued)

(30) **Foreign Application Priority Data**

*Primary Examiner* — Cynthia R Underwood

Aug. 30, 2019 (EM) ..... 006786562-0001  
Aug. 30, 2019 (EM) ..... 006786562-0002

(74) *Attorney, Agent, or Firm* — Edell, Shapiro & Finnan, LLC

(51) **LOC (14) Cl.** ..... **08-11**

(57) **CLAIM**

(52) **U.S. Cl.**

The ornamental design for a underwater hook, as shown and described.

USPC ..... **D8/367; D8/356**

**DESCRIPTION**

(58) **Field of Classification Search**

USPC ..... D8/356, 354, 105, 349, 367, 373, 372;  
D3/207; 248/301, 302, 303, 304, 339;  
24/599.7

FIG. 1 is a front view of a hook according to the present invention;  
FIG. 2 is a rear view of the hook of FIG. 1;  
FIG. 3 is a right side view of the hook of FIG. 1;  
FIG. 4 is a left side view of the hook of FIG. 1;  
FIG. 5 is a bottom view of the hook of FIG. 1;  
FIG. 6 is a top view of the hook of FIG. 1;  
FIG. 7 is a front perspective view of the hook of FIG. 1;  
FIG. 8 is a front view of a hook according to a second embodiment of the present invention;  
FIG. 9 is a rear view of the hook of FIG. 8;  
FIG. 10 is a right side view of the hook of FIG. 8;  
FIG. 11 is a left side view of the hook of FIG. 8;  
FIG. 12 is a bottom view of the hook of FIG. 8;  
FIG. 13 is a top view of the hook of FIG. 8; and  
FIG. 14 is a front perspective view of the hook of FIG. 8.

CPC ..... B65H 57/16; B63B 21/045; A63B 29/08;  
A63B 27/02; A47G 1/17; A47G 1/22;  
A47G 25/0607; F16B 45/02; F16B  
45/021; B66C 1/125; B66C 1/36; A62B  
35/0037

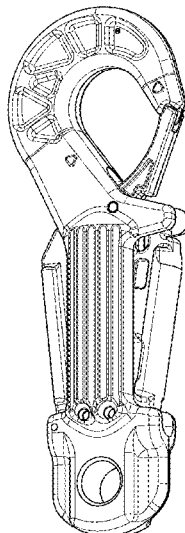
See application file for complete search history.

(56) **References Cited**

**U.S. PATENT DOCUMENTS**

1,626,865 A 5/1927 Neilson  
D342,665 S \* 12/1993 Rekuc ..... D8/367  
D348,385 S \* 7/1994 Krauss ..... D8/367  
D355,585 S \* 2/1995 Terada ..... D8/367

**1 Claim, 14 Drawing Sheets**



(56)

References Cited

U.S. PATENT DOCUMENTS

D391,694 S \* 3/1998 Eichhorn ..... 119/784  
 D391,840 S \* 3/1998 Striebel ..... D8/367  
 D394,202 S \* 5/1998 Anscher ..... D8/367  
 D402,189 S \* 12/1998 Izumi ..... D8/382  
 D491,049 S \* 6/2004 Kung ..... D8/367  
 7,255,381 B2 \* 8/2007 Komizo ..... B66C 1/36  
 294/82.19  
 D579,763 S \* 11/2008 Uehara ..... D8/367  
 D583,654 S \* 12/2008 Uehara ..... D8/367  
 7,607,707 B2 \* 10/2009 Eising ..... B66C 1/34  
 294/131  
 D649,024 S \* 11/2011 Takazakura ..... D8/367  
 D665,655 S \* 8/2012 Ishii ..... D8/367  
 D675,806 S \* 2/2013 Caul ..... D2/500  
 D730,159 S \* 5/2015 Grimm ..... D8/356  
 D740,645 S \* 10/2015 Koreishi ..... D8/367  
 D785,316 S \* 5/2017 Grossman ..... D8/356  
 D821,090 S \* 6/2018 Case ..... D3/207  
 10,060,466 B2 \* 8/2018 Kaneko ..... F16B 45/02  
 D837,635 S \* 1/2019 Petzl ..... D8/356  
 D842,079 S \* 3/2019 Betzler ..... D8/367  
 D882,378 S \* 4/2020 Graykowski ..... D8/356  
 D892,601 S \* 8/2020 Schmitz ..... D8/367  
 D893,122 S \* 8/2020 Saeger ..... 34/356  
 D902,009 S \* 11/2020 Yang ..... D8/336  
 D933,462 S \* 10/2021 Zunzunegui ..... D8/367

11,147,359 B1 \* 10/2021 Treadwell ..... A45F 5/02  
 D937,665 S \* 12/2021 Zhang ..... D8/367  
 11,208,299 B2 \* 12/2021 Betzler ..... B66C 1/14  
 D948,996 S \* 4/2022 Misener ..... D8/367  
 D951,077 S \* 5/2022 Lv ..... D8/367  
 11,390,493 B2 \* 7/2022 Raines, Jr. .... B66C 1/36  
 2006/0179784 A1 \* 8/2006 Chen ..... F16B 45/00  
 52/698  
 2011/0175385 A1 7/2011 Buie et al.  
 2013/0219673 A1 \* 8/2013 Perner ..... F16B 45/02  
 24/375  
 2016/0361578 A1 \* 12/2016 Casebolt ..... A45F 5/02  
 2017/0241470 A1 8/2017 Vaccari  
 2022/0275825 A1 \* 9/2022 Mühlberger ..... F16B 45/02

FOREIGN PATENT DOCUMENTS

DE 102016215631 A1 2/2018  
 TW 1664357 B 7/2019  
 WO 02025123 A1 3/2002

OTHER PUBLICATIONS

Office Action for Taiwanese patent application No. 109129742 dated Jun. 3, 2021 with English translation, 11 pages.  
 International Search Report for International Application No. PCT/EP2020/074144 dated Dec. 9, 2020, 13 pages.

\* cited by examiner

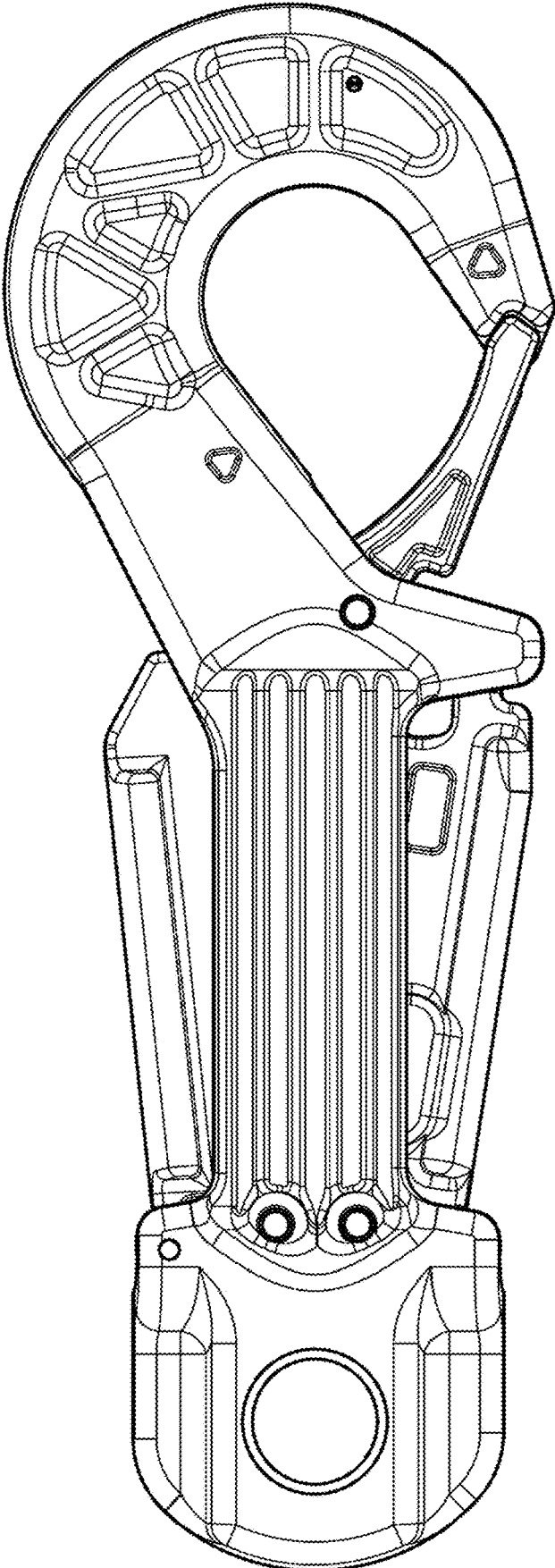


Figure 1

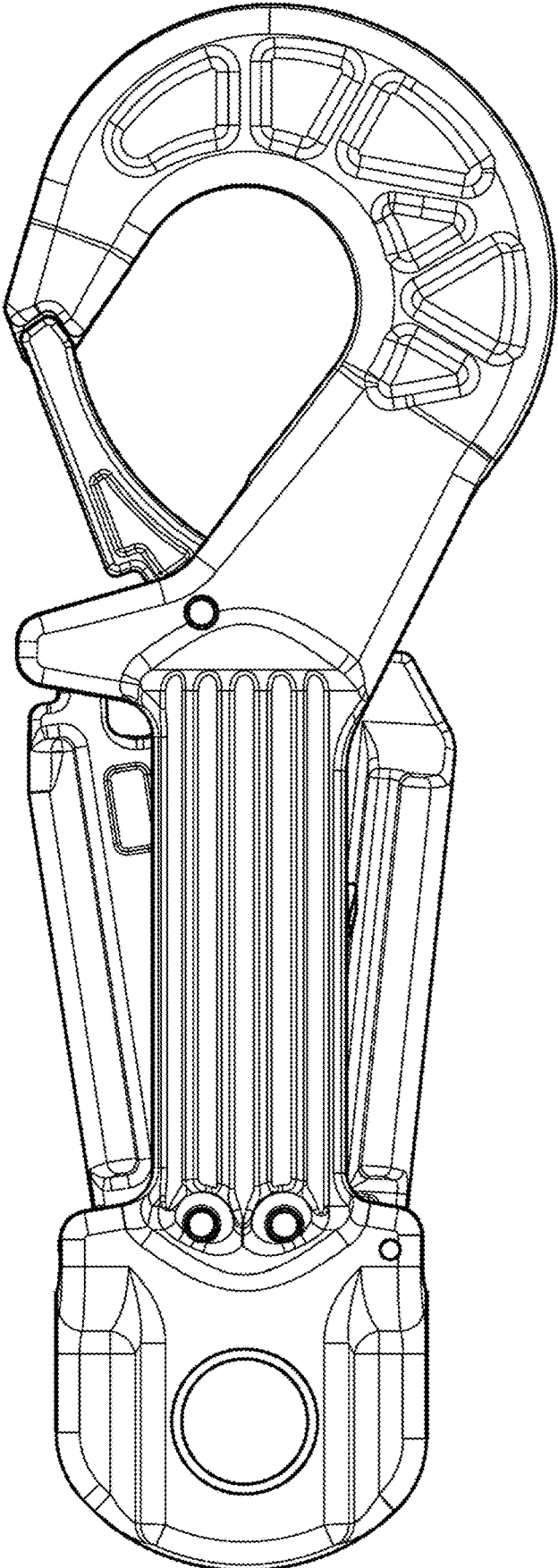


Figure 2

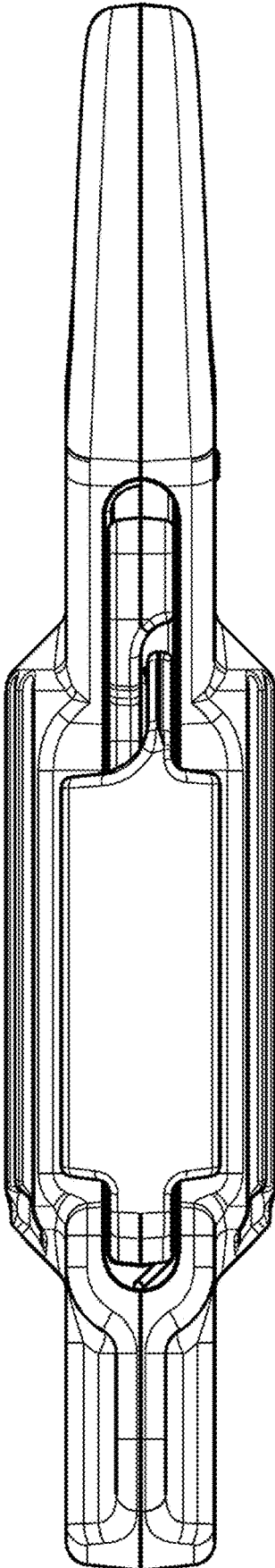


Figure 3

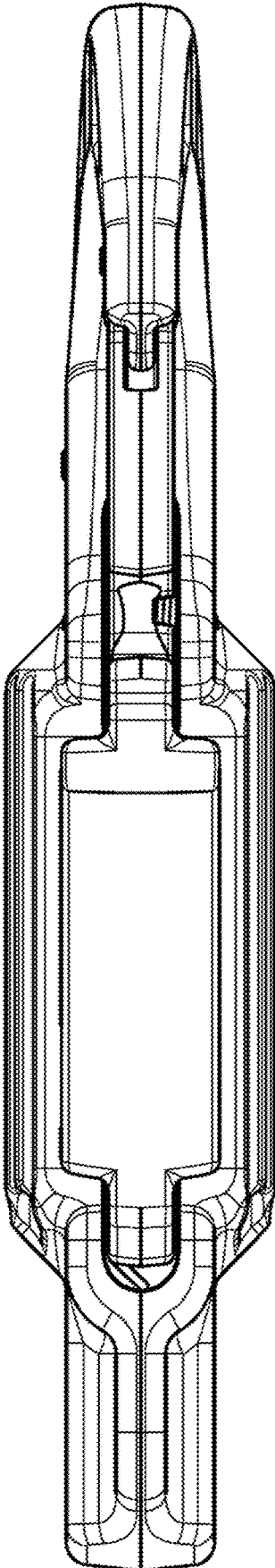


Figure 4

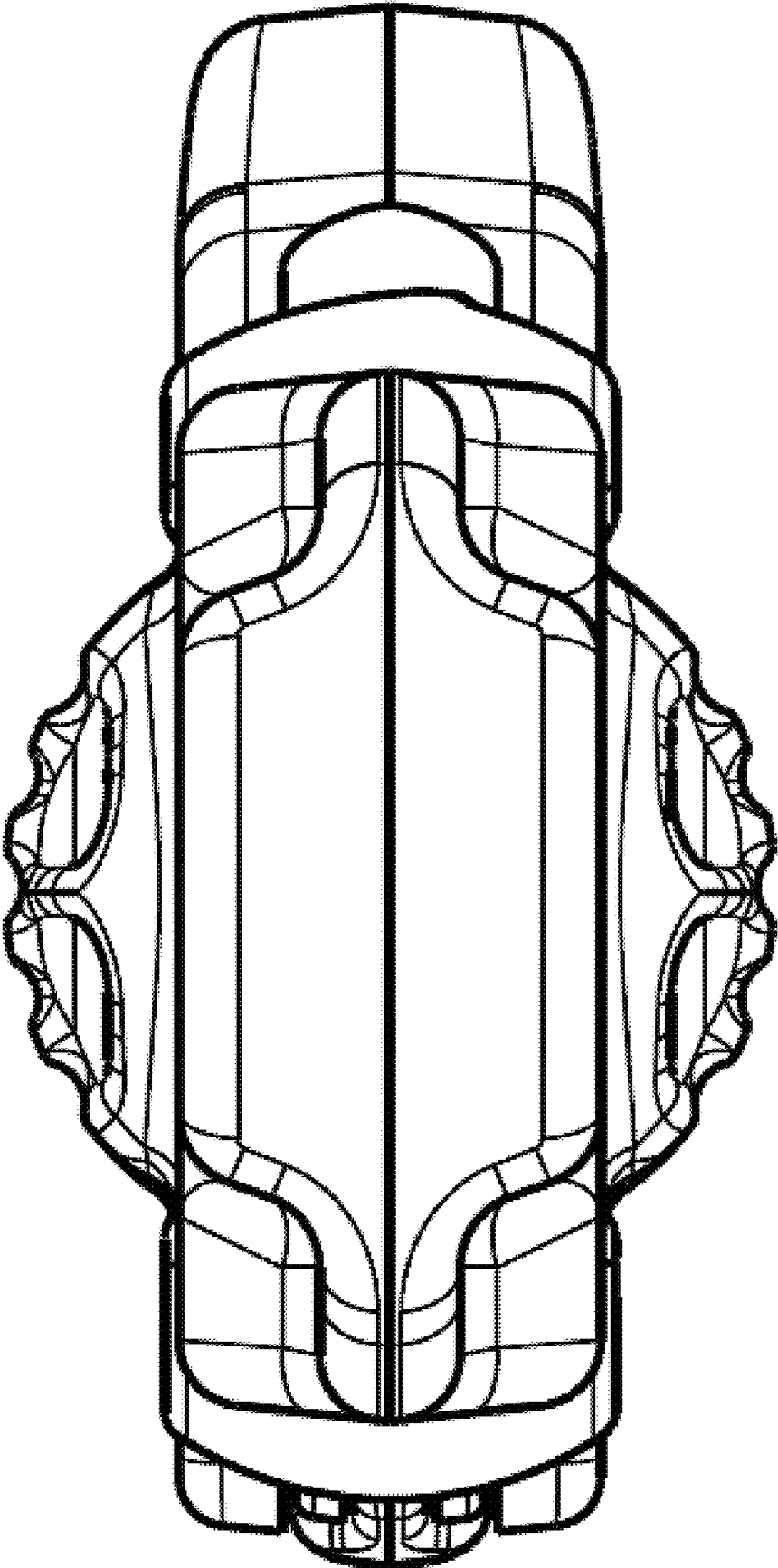


Figure 5

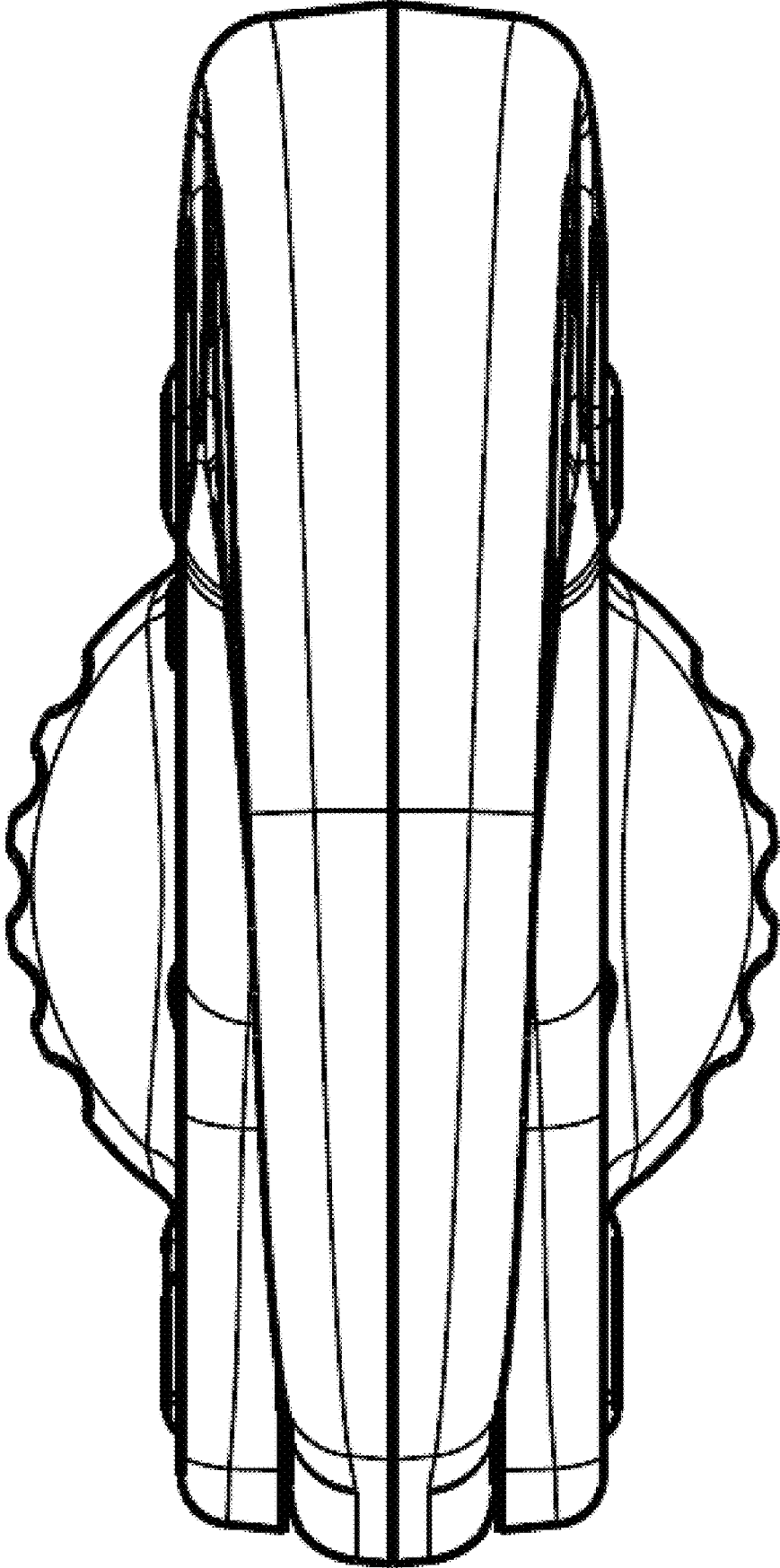


Figure 6



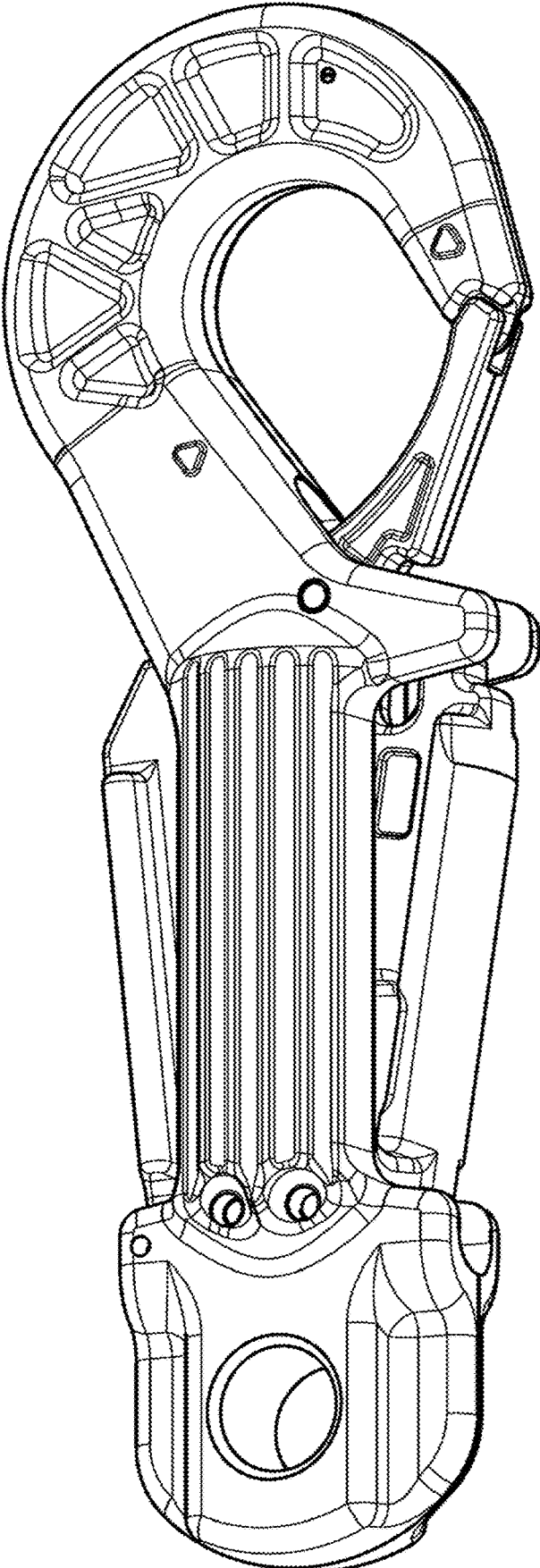


Figure 7

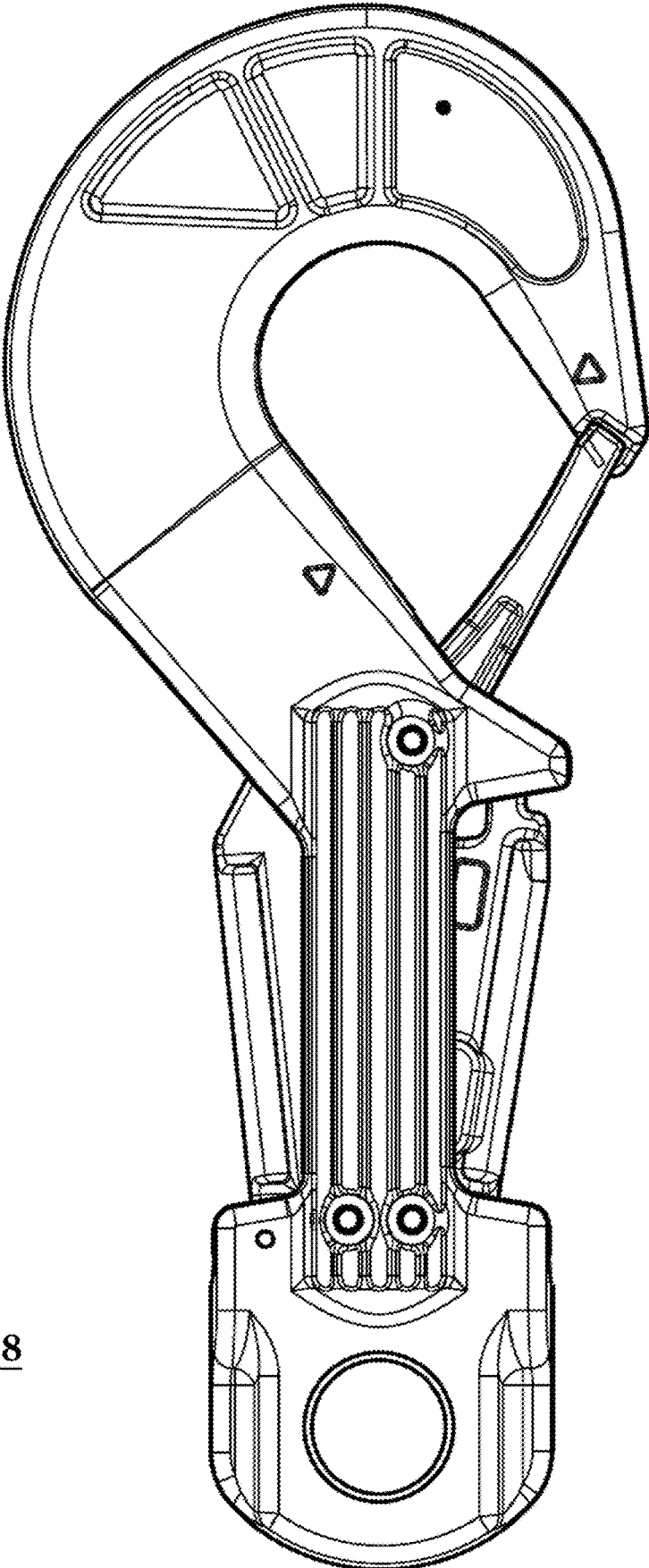


Figure 8

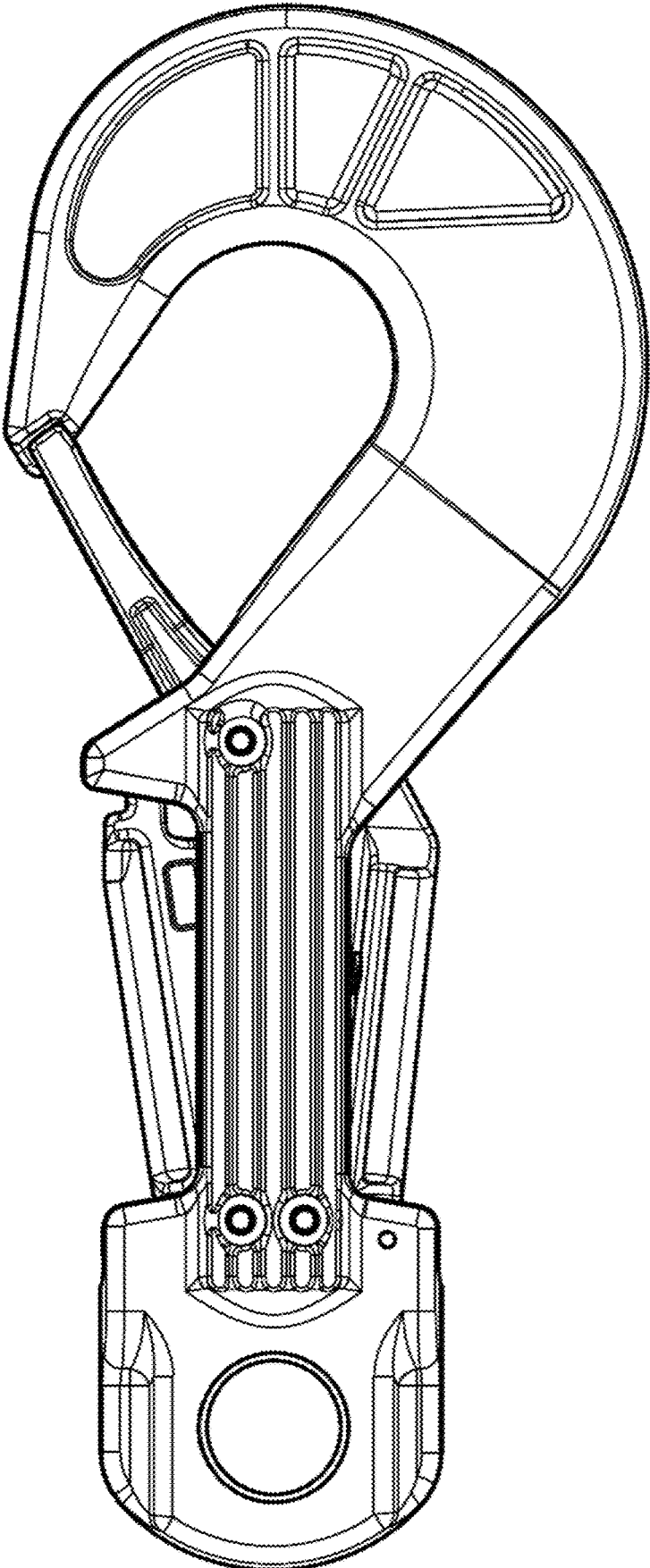


Figure 9

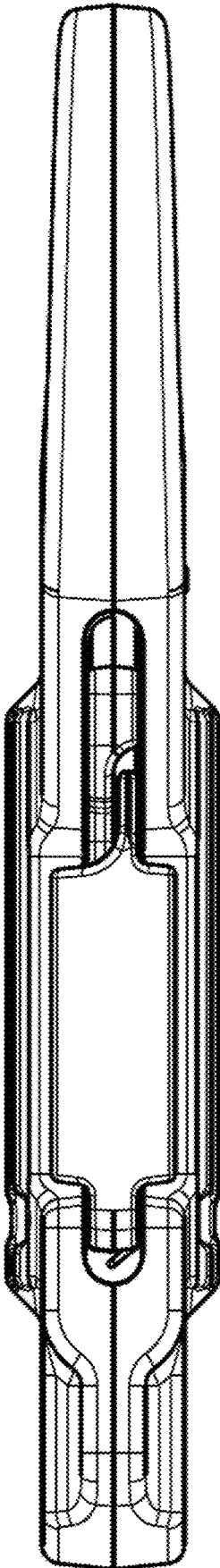


Figure 10

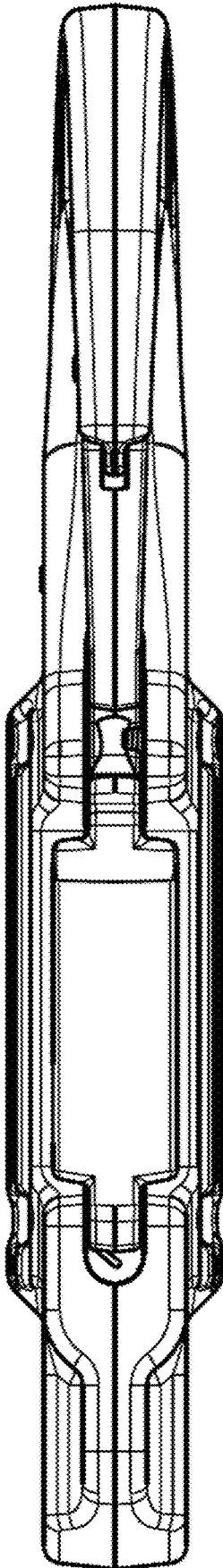


Figure 11

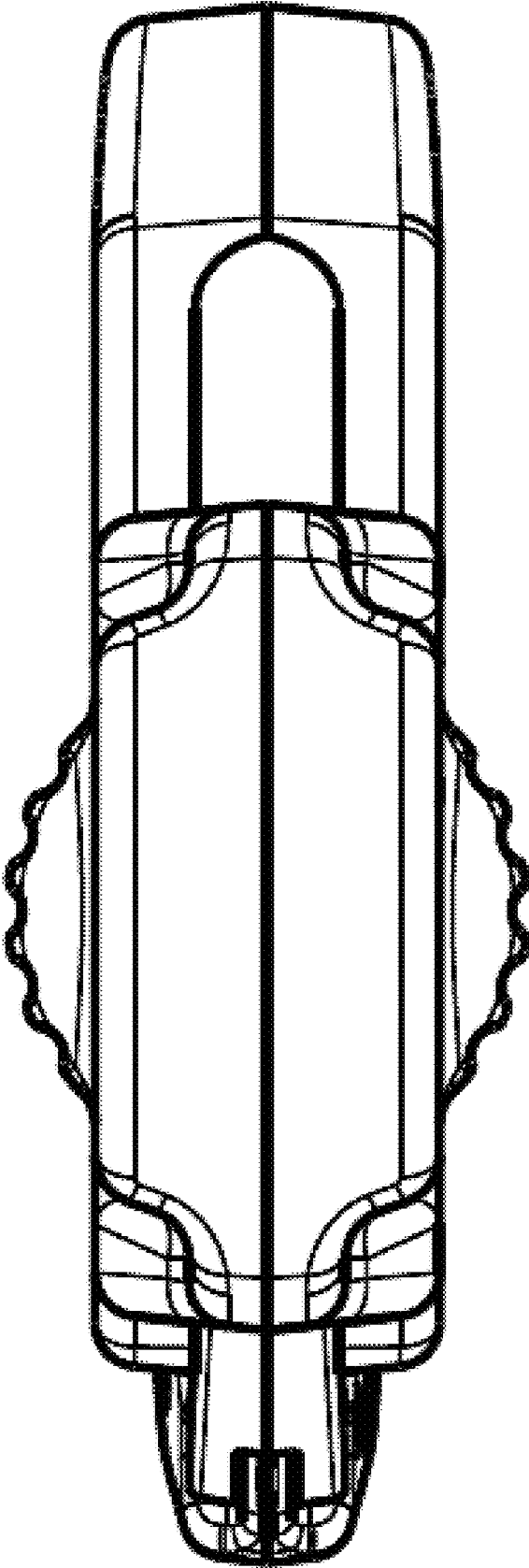


Figure 12

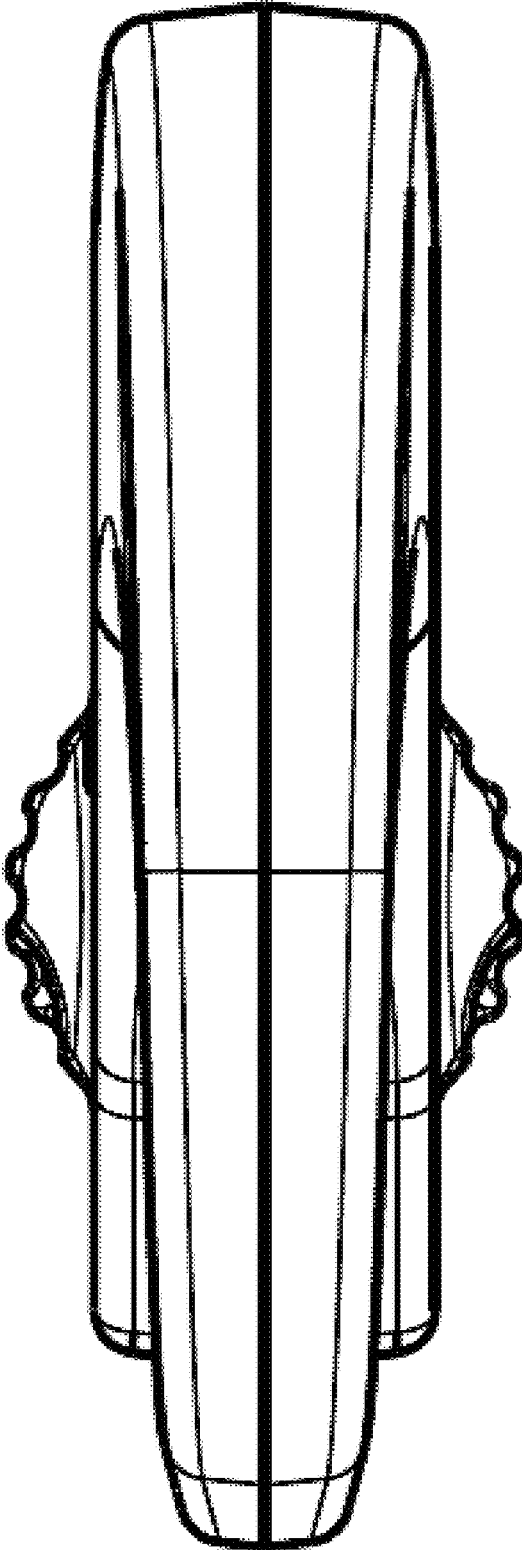


Figure 13

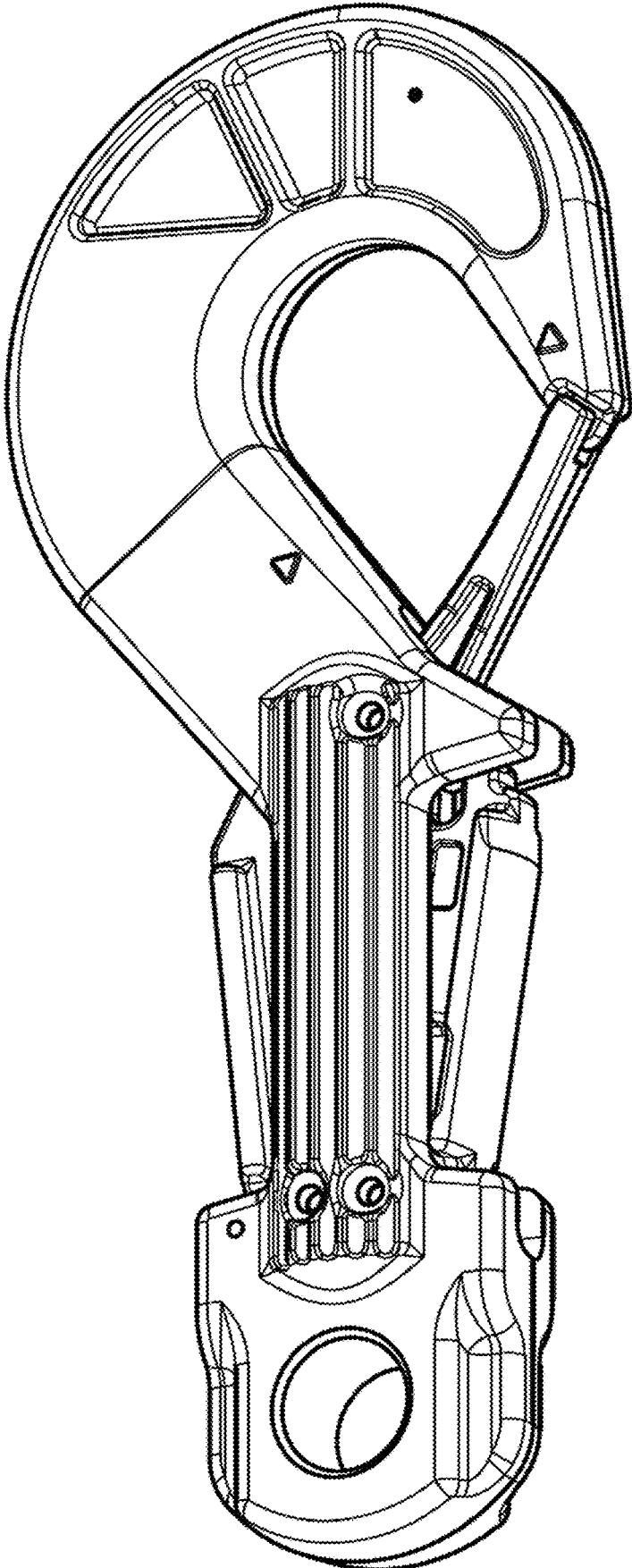


Figure 14