



US00D836350S

(12) **United States Design Patent**
Kanthasamy

(10) **Patent No.:** **US D836,350 S**

(45) **Date of Patent:** **** *Dec. 25, 2018**

(54) **SPLITBACK PILLOW TOP SOFA WITH WING-ARMS**

Primary Examiner — Deanna L Pratt

(74) *Attorney, Agent, or Firm* — Vierra Magen Marcus LLP

(71) Applicant: **Abedan Kanthasamy**, Missisauga (CA)

(72) Inventor: **Abedan Kanthasamy**, Missisauga (CA)

(*) Notice: This patent is subject to a terminal disclaimer.

(**) Term: **15 Years**

(21) Appl. No.: **29/630,754**

(22) Filed: **Dec. 22, 2017**

(51) **LOC (11) Cl.** **06-01**

(52) **U.S. Cl.**

USPC **D6/335; D6/381**

(58) **Field of Classification Search**

USPC D6/334, 335, 336, 338, 342, 360, 367, D6/368, 369, 371–375, 377, 378, 381, D6/382, 383

CPC A47D 11/005; A47C 4/02; A47C 17/04; A47C 17/045; A47C 17/12; A47C 17/13; A47C 17/16; A47C 17/22; A47C 17/32

See application file for complete search history.

(56) **References Cited**

U.S. PATENT DOCUMENTS

D180,478 S * 6/1957 Gera D6/334
D425,711 S * 5/2000 Desombre D6/334
D431,381 S * 10/2000 Gomez D6/361
D443,996 S * 6/2001 Nicoletti D6/335
D444,305 S 7/2001 Mourgue
D446,962 S * 8/2001 Mourgue D6/335

(Continued)

OTHER PUBLICATIONS

Office Action dated Jun. 29, 2017, U.S. Appl. No. 29/565,041, filed May 17, 2016.

(Continued)

(57) **CLAIM**

The ornamental design of a splitback pillow top sofa with wing-arms, as shown and described.

DESCRIPTION

FIG. 1 is a front perspective view of a new design of a splitback pillow top sofa with wing-arms, wherein the sofa is in a first position;

FIG. 2 is a front perspective view of the splitback pillow top sofa with wing-arms, wherein the sofa is in a second position;

FIG. 3 is a front perspective view of the splitback pillow top sofa with wing-arms, wherein the sofa is in a third position;

FIG. 4 is a front perspective view of the splitback pillow top sofa with wing-arms, wherein the sofa is in a fourth position;

FIG. 5 is a front perspective view of the splitback pillow top sofa with wing-arms, wherein the sofa is in a fifth position;

FIG. 6 is a front view of the splitback pillow top sofa with wing-arms, wherein the sofa is in the first position;

FIG. 7 is a right side view of the splitback pillow top sofa with wing-arms, wherein the sofa is in the first position;

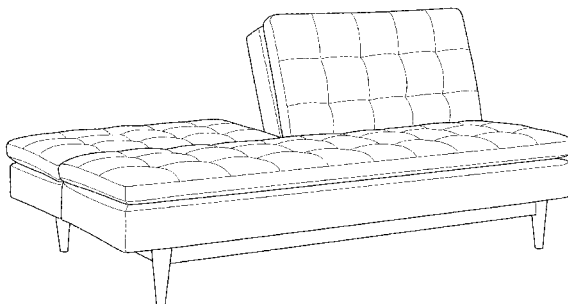
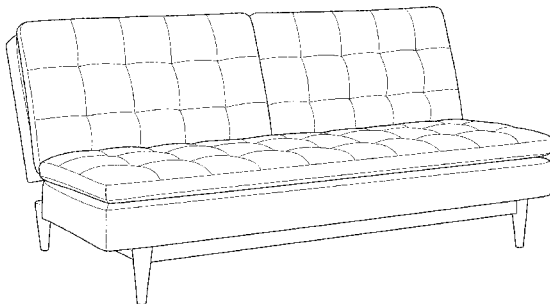
FIG. 8 is a left side view of the splitback pillow top sofa with wing-arms, wherein the sofa is in the first position;

FIG. 9 is a top view of the splitback pillow top sofa with wing-arms, wherein the sofa is in the first position;

FIG. 10 is a bottom view of the splitback pillow top sofa with wing-arms, wherein the sofa is in the third position; and,

FIG. 11 is a back perspective view of the splitback pillow top sofa with wing-arms, wherein the sofa is in the first position.

1 Claim, 11 Drawing Sheets



(56)

References Cited

U.S. PATENT DOCUMENTS

D498,075 S 11/2004 Mourgue
 D509,370 S * 9/2005 Natuzzi D6/334
 D525,045 S * 7/2006 Natuzzi D6/381
 D527,198 S * 8/2006 Nicoletti D6/381
 D571,563 S * 6/2008 Natuzzi D6/334
 D577,211 S * 9/2008 Natuzzi D6/334
 D592,883 S * 5/2009 Natuzzi D6/381
 D600,468 S * 9/2009 Natuzzi D6/381
 D603,618 S 11/2009 Weiss
 D603,619 S 11/2009 Weiss
 D604,957 S 12/2009 Weiss
 D610,366 S 2/2010 Kanthasamy
 D615,315 S 5/2010 Andersen
 D616,214 S 5/2010 Andersen
 D635,791 S * 4/2011 Kanthasamy D6/381
 D635,793 S 4/2011 Kanthasamy
 D635,794 S 4/2011 Kanthasamy
 D639,084 S 6/2011 Andersen
 D642,820 S 8/2011 Andersen
 D643,226 S * 8/2011 Kanthasamy D6/381
 D652,225 S 1/2012 Andersen
 D652,226 S 1/2012 Andersen
 RE43,754 E 10/2012 Andersen
 D675,460 S 2/2013 Kanthasamy
 D676,680 S 2/2013 Arko et al.
 D677,070 S 3/2013 Kanthasamy
 D677,071 S 3/2013 Kanthasamy
 D677,490 S * 3/2013 Manzoni D6/381
 D686,003 S 7/2013 Arko et al.

D686,012 S * 7/2013 Korb D6/708
 D693,163 S * 11/2013 Kapka D6/709
 D702,953 S * 4/2014 Beucler D6/334
 D718,552 S 12/2014 Kanthasamy
 D719,755 S 12/2014 Kanthasamy
 D719,756 S 12/2014 Sonmez
 D721,242 S 1/2015 Sonmez
 D730,656 S 6/2015 Urquiola
 D731,198 S * 6/2015 Podsiadlo D6/381
 D775,848 S 1/2017 Bettin
 D785,359 S * 5/2017 Massaud D6/381
 D799,221 S * 10/2017 Pathiratne D6/335
 D799,222 S * 10/2017 Pathiratne D6/335
 D804,834 S 12/2017 Kanthasamy
 D810,451 S * 2/2018 Liu D6/335

OTHER PUBLICATIONS

Amendment dated Jul. 28, 2017, U.S. Appl. No. 29/565,041, filed May 17, 2016.
 Notice of Allowance dated Sep. 11, 2017, U.S. Appl. No. 29/565,041, filed May 17, 2016.
 U.S. Appl. No. 29/622,927, filed Oct. 20, 2017.
 Amendment dated Nov. 16, 2017, U.S. Appl. No. 29/622,927, filed Oct. 20, 2017.
 U.S. Appl. No. 29/598,734, filed Mar. 28, 2017.
 U.S. Appl. No. 29/630,749, filed Dec. 22, 2017.
 U.S. Appl. No. 29/630,755, filed Dec. 22, 2017.
 U.S. Appl. No. 29/630,756, filed Dec. 22, 2017.
 U.S. Appl. No. 29/630,758, filed Dec. 22, 2017.

* cited by examiner

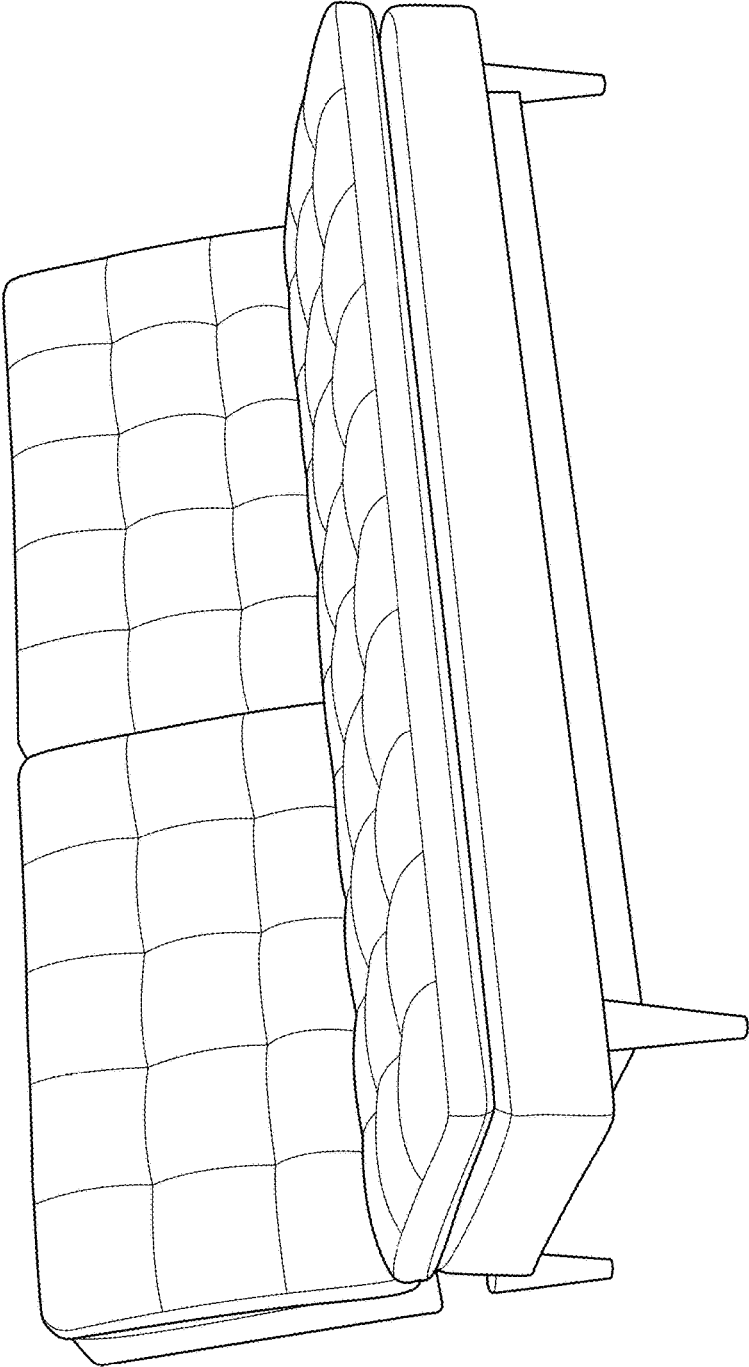


FIGURE 1

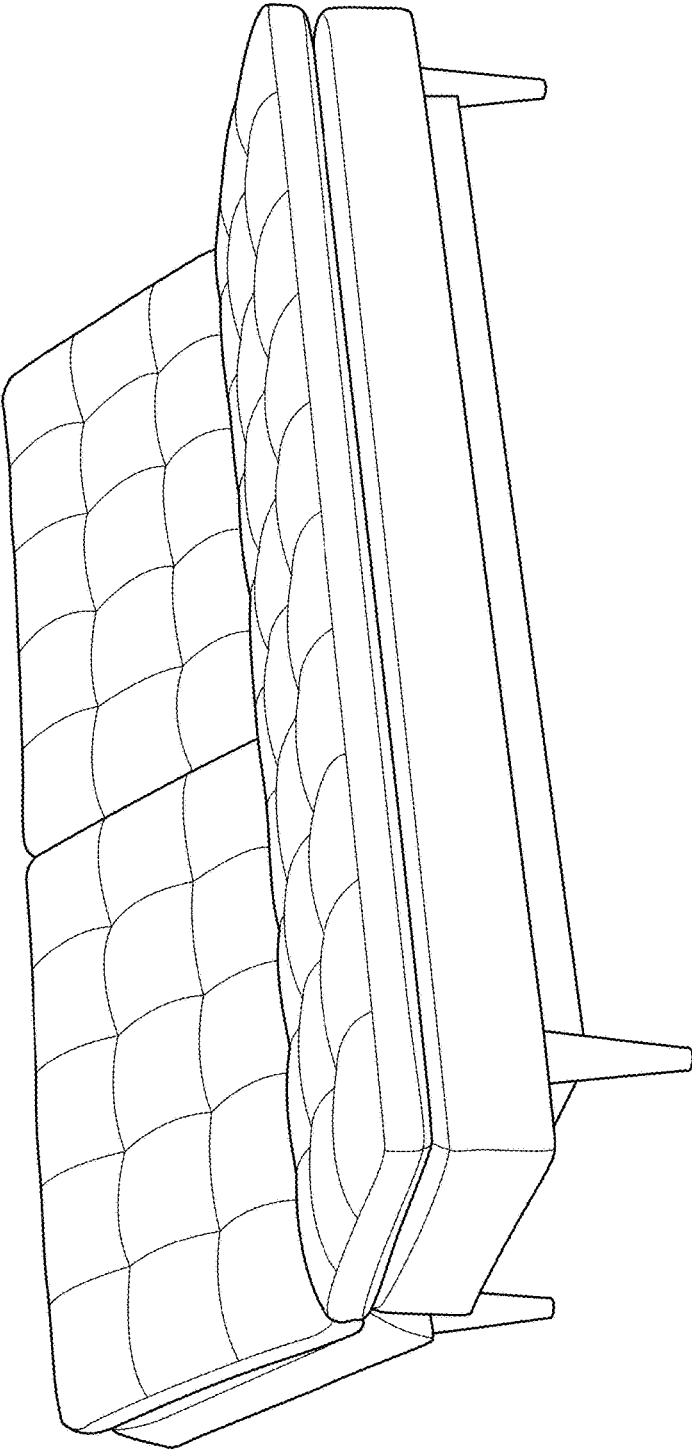


FIGURE 2

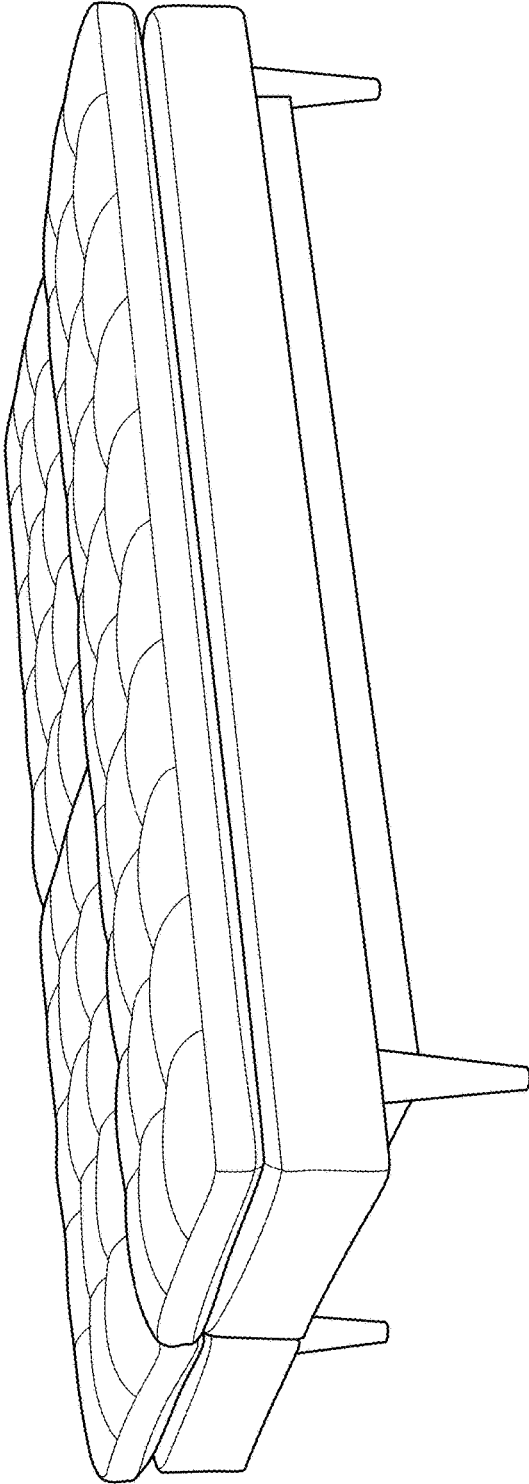


FIGURE 3

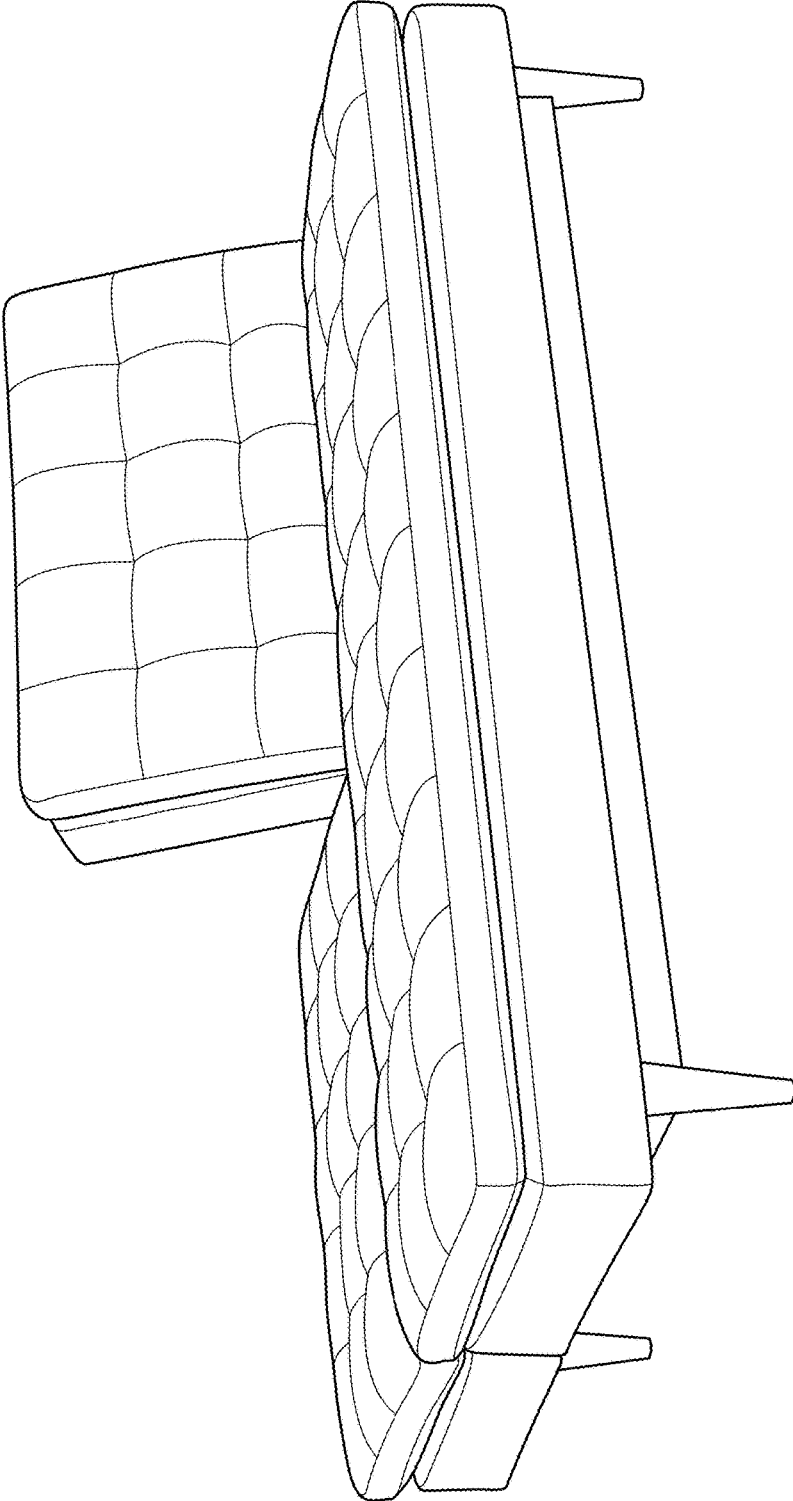


FIGURE 4

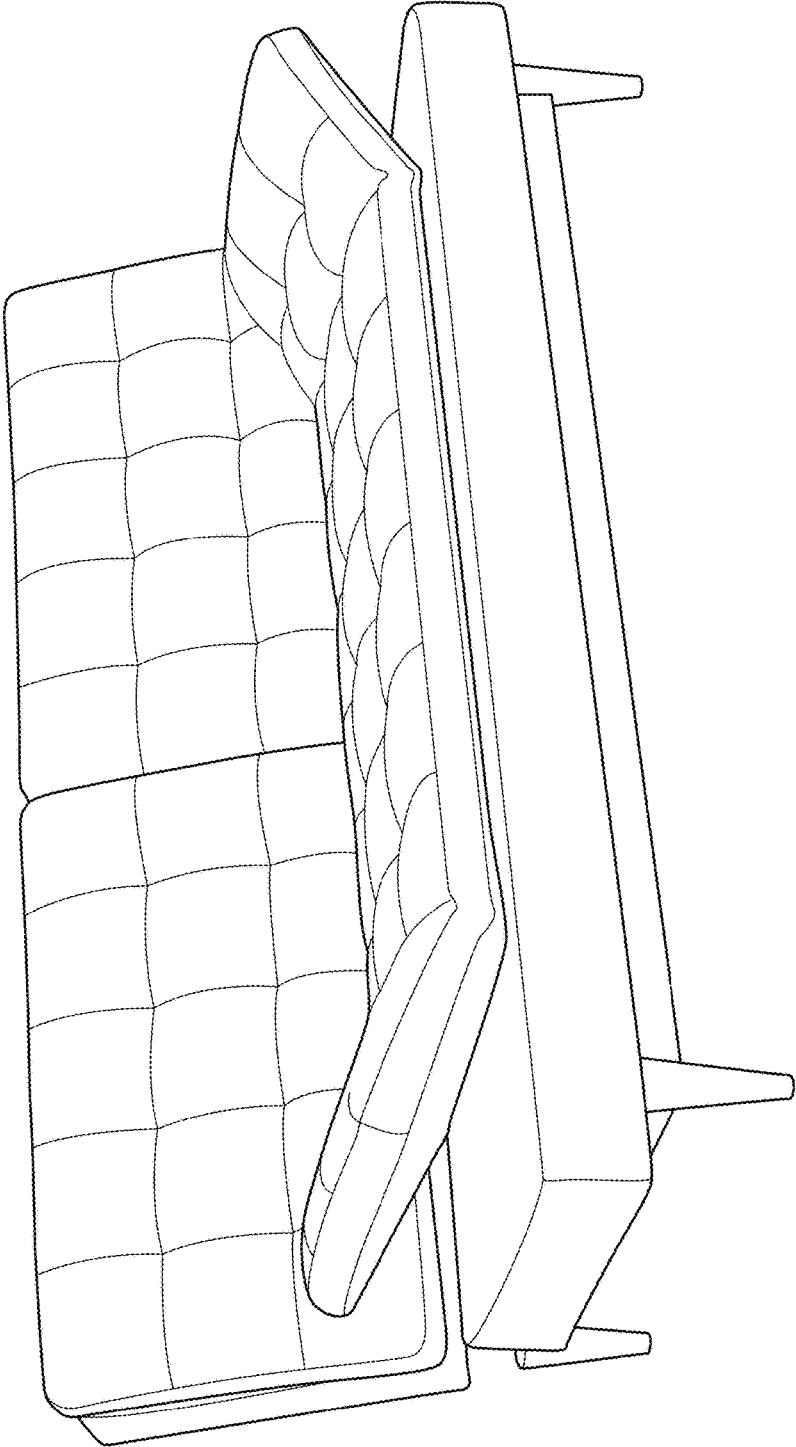


FIGURE 5

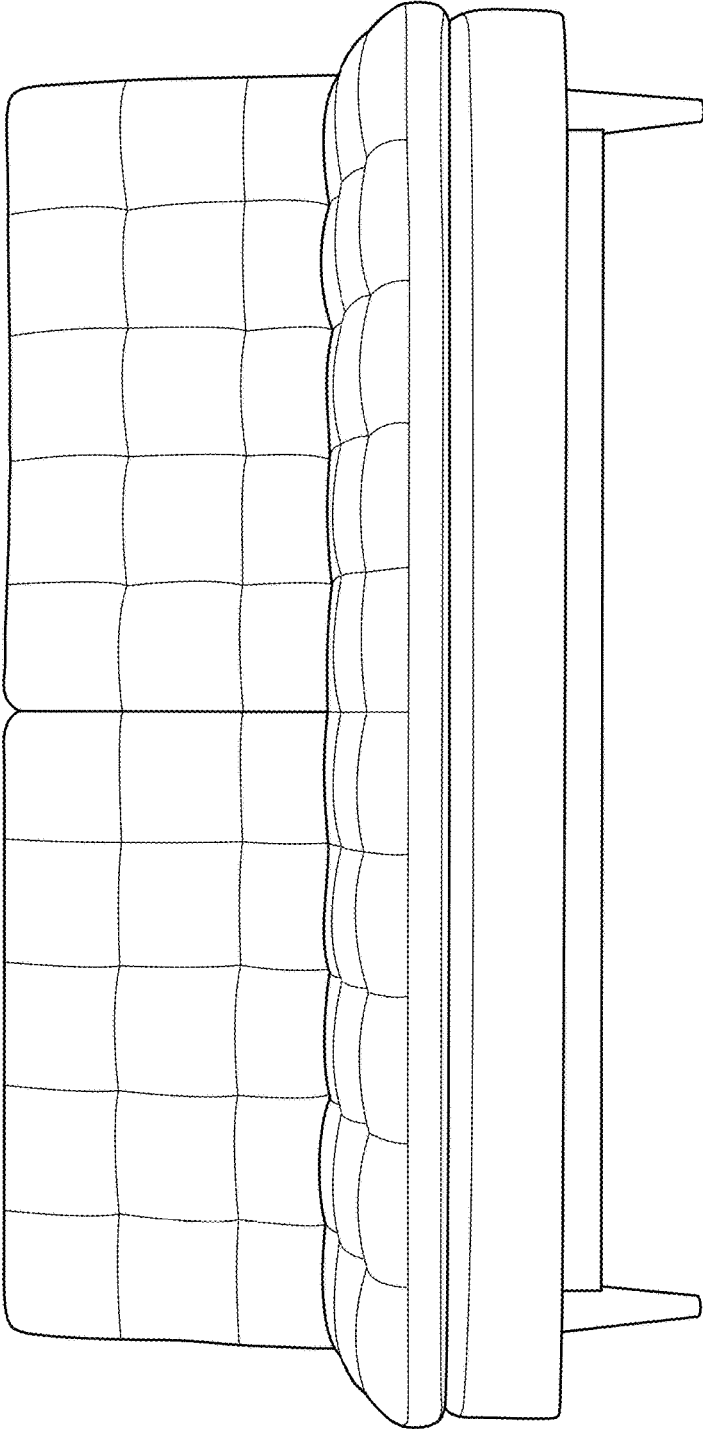


FIGURE 6

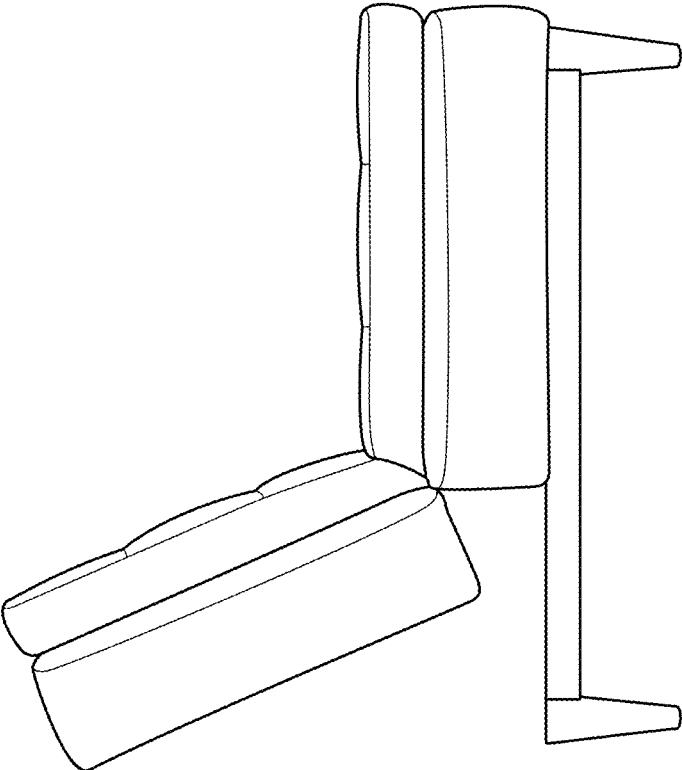


FIGURE 7

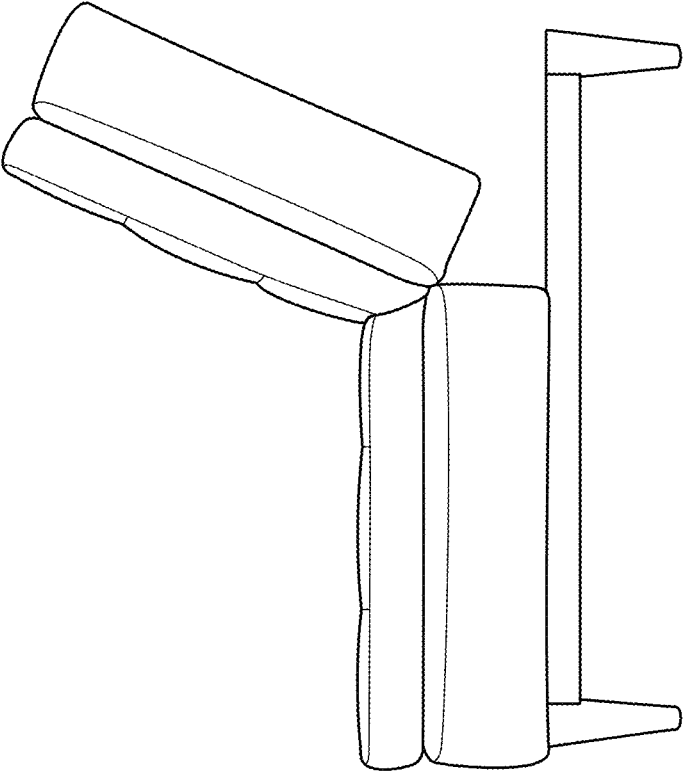


FIGURE 8

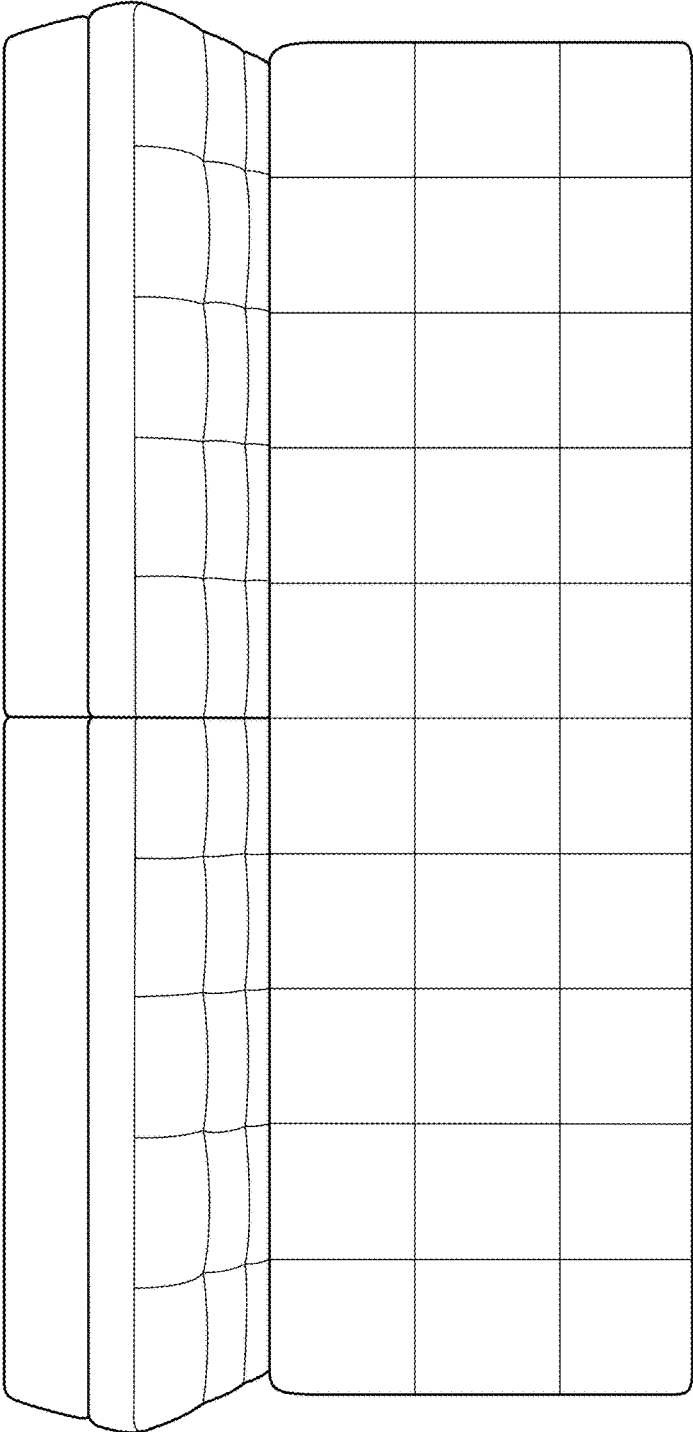


FIGURE 9

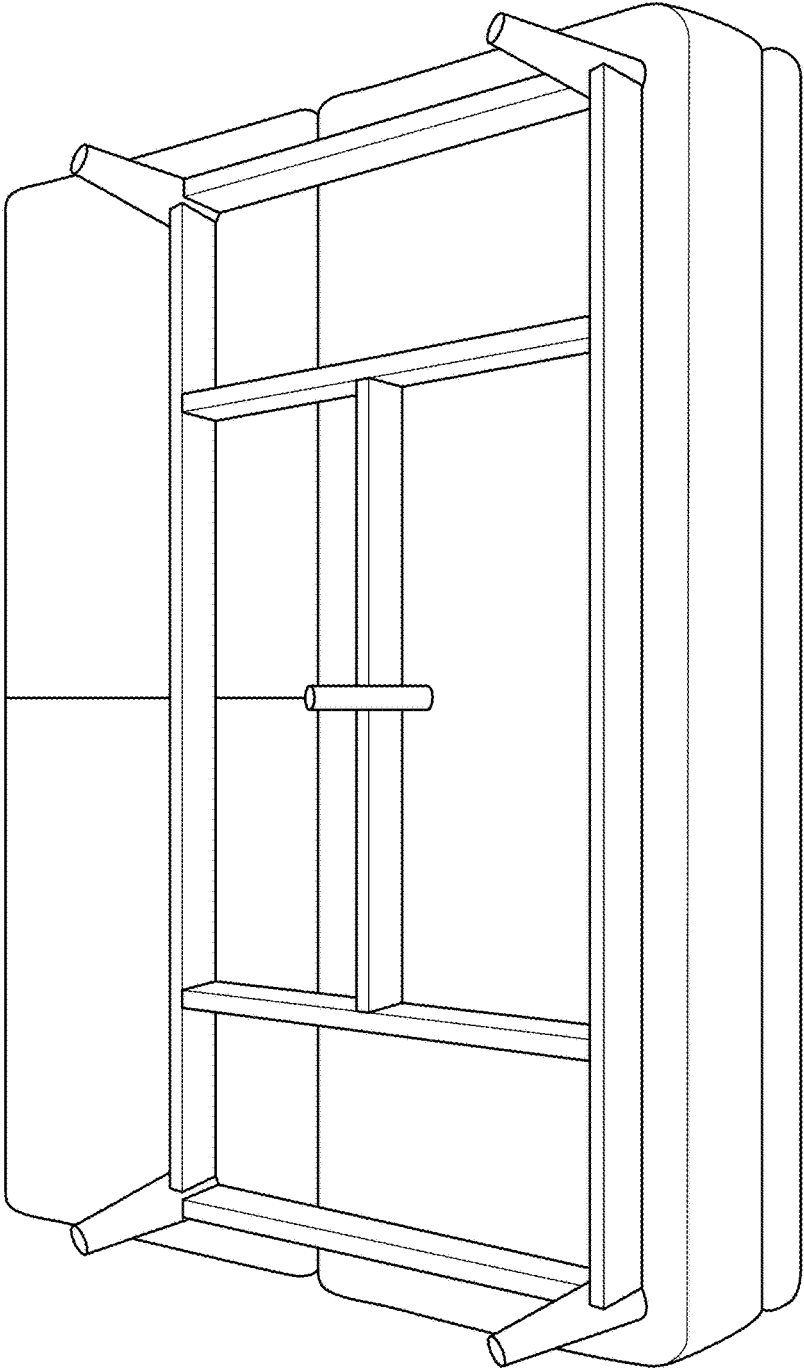


FIGURE 10

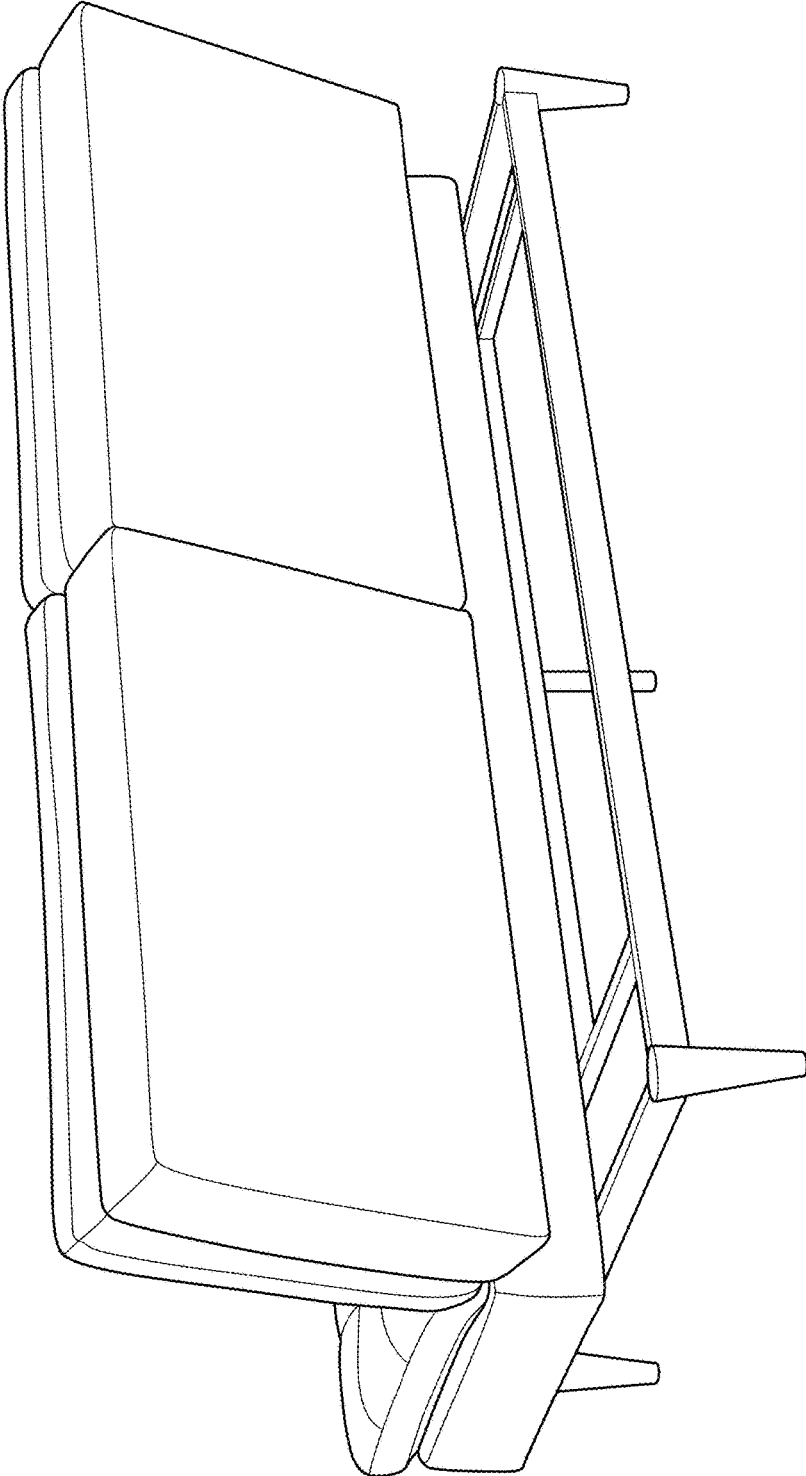


FIGURE 11