

가

1

(inter - frequency method) / (PCS) RF
 (inter - frequency handover)" RF
 가 (candidate)
 가

IEE 1993 12 13 - 15 7
 , A. Baier , " 3 DS - CDMA
 (MULTI - RATE DS - CDMA RADIO INTERFACE FOR THIRD - GENERATION CELLULAR SYSTEMS)"
 255 260

PCS (ongoing) RF RF
 가 , RF
 가

(CDMA: Code Division Multiple Access) ,
 (transient period) (soft handover) , RF 가
 가 /

가 (dropped) 가

F2, F1, 2, (instantaneous symbol rate) R_{INFO}
 (squeezed) 가
 (BER) 가, (PN: Pseudo Noise) R_{CHIP} 가
 R_{INFO} , R_{CHIP} / R_{INFO}
 가, 가 (background) 가
 가
 (slotted), (idle s
 lot), (active)
 가
 / PCS
 (functionality)
 가 / PCS
 가
 /
 가
 (orientation) (polarization)
 가
 (intermediate)

RF

가

가

1

(local base station)

가

2a, 2b, 2c

1

3a, 3b, 3c

1

4

(A,B C)

2a, 2b, 2c

5

가 RF

1 2

6

5

RF

(DS - CDMA: Direct Sequence Code Division Multiple Access)

PCS (, CDMA 2000)

가

PCS

, AMPS(An

alog Mobile Phone System:

), TDMA(Time Division Multiple Access:

), GSM(Global System for Mobile Communications:

), PDC(Pers

onal Communication Device:

)

, UMTS(Universal Mobile Telephone System:

) 3 (3G)

1

PCS

(10)

1

가가

(14)

1

PCS

(12)

(10)

2

(15)

가 2 (13) . (14 15) 가 ,
 RF 가, (12 13) , (14 15)
 , RF /
 (12 13)
 , (14 15)가
 , 가 .
 (exploitation) (16) . (14,15)
 , (14,15)
 , 가 ,
 , 가 (16) , (14 15) 가 .
 , 가 가

(10) , (17a) - (17b)
 - (17) . - (17) 가

(10) , (DS - CDMA) (20) 1
 (22) (coverage) , 2 (32)
 " 가 , , DS - CDMA (30) , " -
 (L1) , (F1) , (20) (22) (10)
 (L2) , (F2) , (30) (32) (10)
 2) 가 , (L1) (L2) (F1 F
 , - (course) 2a 2c . 2a
 , , (14,15) , (14,15)
 , (F1) (L1) (22) , 2
 b , (L2) , (22) , (15) (F2)
 , (32)
 (14,15) , (14) (F2) , 3c) , ,
 (32) , (F2) (L2)

, (32) (recipient) (22)
 , (10) F2 , (22) , (pilot) 가
 - (14 15) , (22) , (lea
 ding) (trailing) (active) ,

가 , , (15) , , ()
 14) , , 3a , , - (14 15)
 , (14 15)
 가 , , ()
 (F1) (L1) (22) , 2b , ()
 15) (F2) , , (32)
 , , (15) (F1) , 3c

(14 15) (F1) (L1)
 (22)

1 가 (20,30)

(20)가 (22,24) (22,24)
 (26) (20) (28)
 (30) (32,34), (32,34) (36) (20)
 (38) (40)
 (PSTN: Public Switched Telephone Network)(42)

4 (10) (22 32) , BS1 (22)
 , BS2 (32) (22) (14 15)
 (DL_Data_1), 1
 (UP_Data_1), 2 (DL_Data_2), 2 (UP_Data
 _2) 가 (F2) (32) (22)
 (14 15) (Handover_Cmd)
 (10) (infrastructure)
 (20) (32) (20 30) (40) (impending)
 (15) F2
 (32) (RACH: Requests for Acknowledgement)
 (Info) (18) (32) 가 (H
 andover_Com) (14) (22)
 (DL_Data_3), 4 (UP_Data_3), 3
 (UP_Data_4), 4 (DL_Data_4), 5
 (UP_Data_5), 5 (DL_Data_5) 6 (UP_Data_6)
 (DL_Data_7) (14)가 (F2) (15) 7
 (DL_Data_8), 8 (UP_Data_7), 8
 가 (DL_Data_9)

(10)가 5 (14) 1 RF ((42)
 (50) , 2 (15) , 1 RF (42) 2
 RF (46) (50) (50) (DSP)(50a),
 (50b), ROM(50c) 가 ,
 , DSP(50a) (50b) (fir
 mware) , 가
 (R) - - (analog - to - digital) (50e 50f) , RF (42 46)
 (50) , DSP(50a) , (PN: Pseudo Noise) 가
 P(50a) (despreading) , DS
 (T) , -

- , (50g 50h) 1 RF (42) 2 RF (46) 가, (50) 1 R
 F (42) (C) 2 RF (46) (50i 50j)

(10) (50) , (numeric) (51) , (53) , LCD
 (52) , (54) (55) (54) - -
 (50k) (50) , (50) - - (50l)
 (55)

RF , 가 1 2 RF (42,46) RF 6
 (60) 가 (12 13) (diplexer) (60) ,
 (64) (PA: Power Amplifier) (62) RF (LNA: Low Noise Amplifier)
 (66) IF () (50)
 (68) RF (64)
 F (67) IF () (64)
 (R) (50) (68) RF R

- 가
- :
- a) " " ;
 - b) " a" " an" ;
 - c) ;
 - d) " " , 가

가

/ (PCS) -

(57)

1.

PCS (20) ,
 (10) (22,32) , 가
 (14,15) ,

2.

1 ,
 , (orientation) (polarization) (14,15)
 ,
 (14,15)가 (exploit) ,
 (14,15) (baseband) (14,15)
 (diversity) (16)
 가 , .

3.

1 2 , - (inter - frequency method) (steer)
 (17) 가 ,
 , (commencement) , (14,15)
 , (22) , (stage) , (15)
 , (14) (2)
 2) , .

4.

3 , - ,
 (15)가 , RF (L2)
 (establish) , , (14)가 ,

5.

3 , - ,
 (15)가 (17b) , , (15)가

6.

PCS (20) (10) (stored) ,
 (22,32) 가
 (14,15) 가 ,
 (14,15) - , , (20) (22) ,
 , (14) (15) (22) ,

7.

6 , - , (15)가 RF (L2)
, (14)가 , .

8.

6 (15)가 (17b) , , (15)가
, .

9.

6 8 (10) (14,15)
(12,13) ,
가 (12,13) , (16) , (14,15)
가 , .

10.

PCS (20) (10) ,
(10) (22,32) 가
(14,15) ,
- , , (14,15)
, (15) (22) , (14)
(22) , .

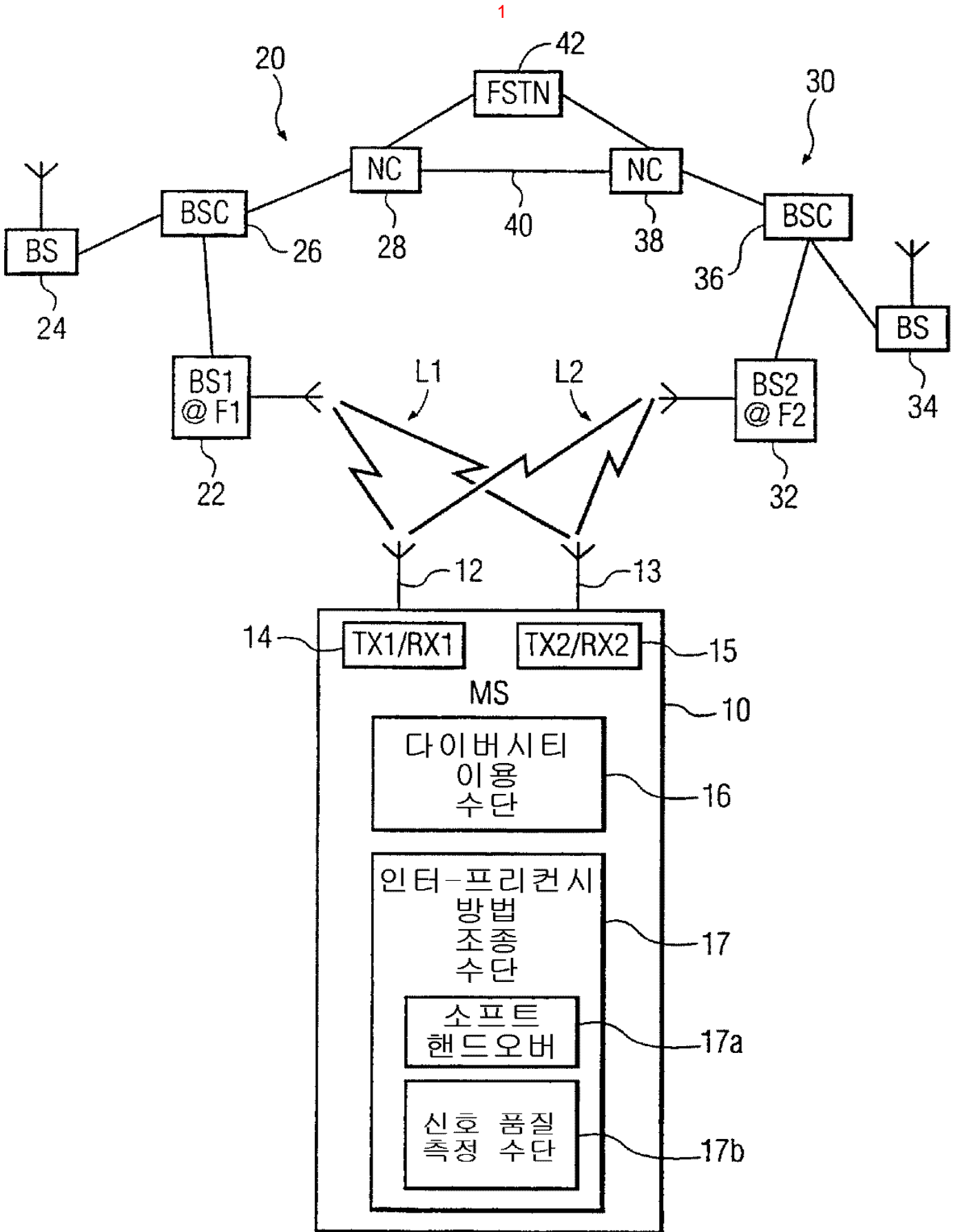
11.

10 , - , (15)가 RF (L2)
, (14) , .

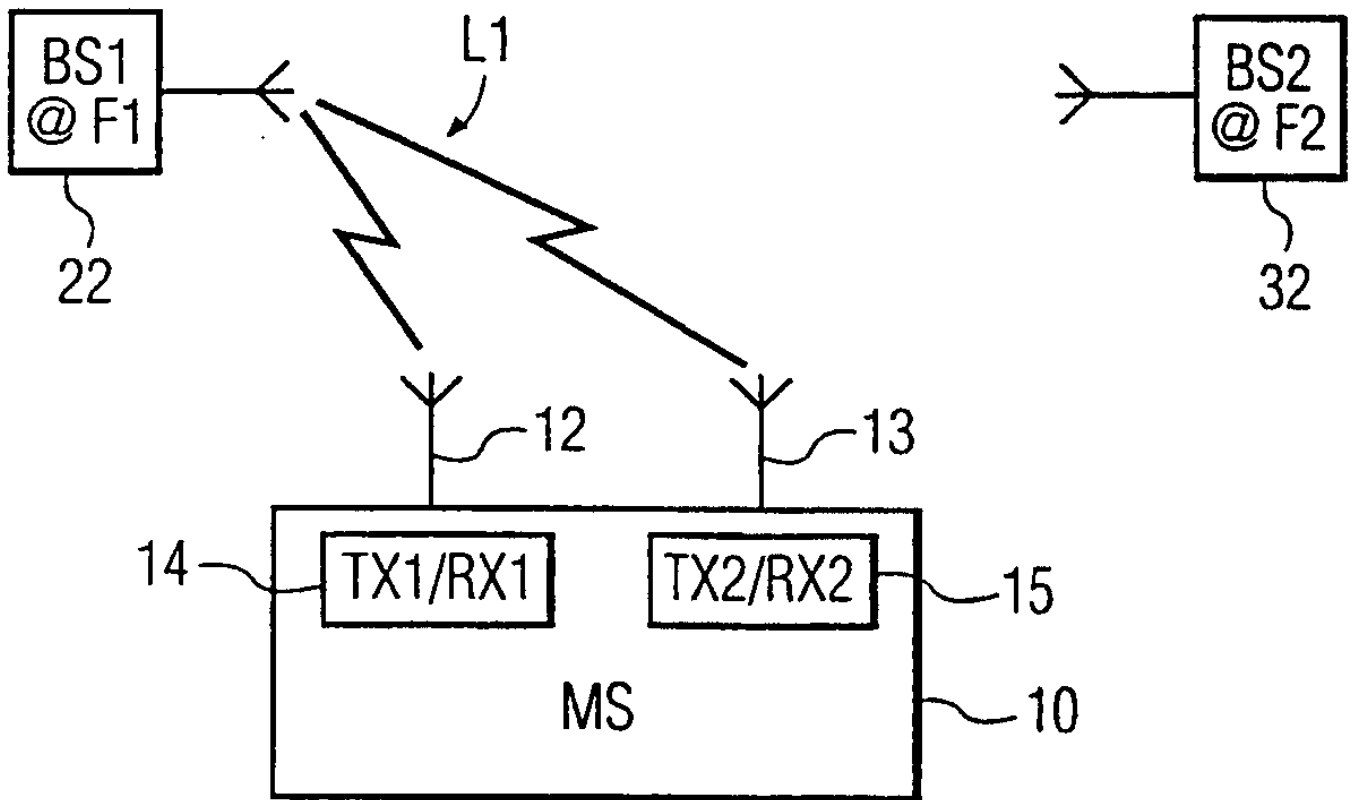
12.

10 (15)가 (17b) , , (15)
, .

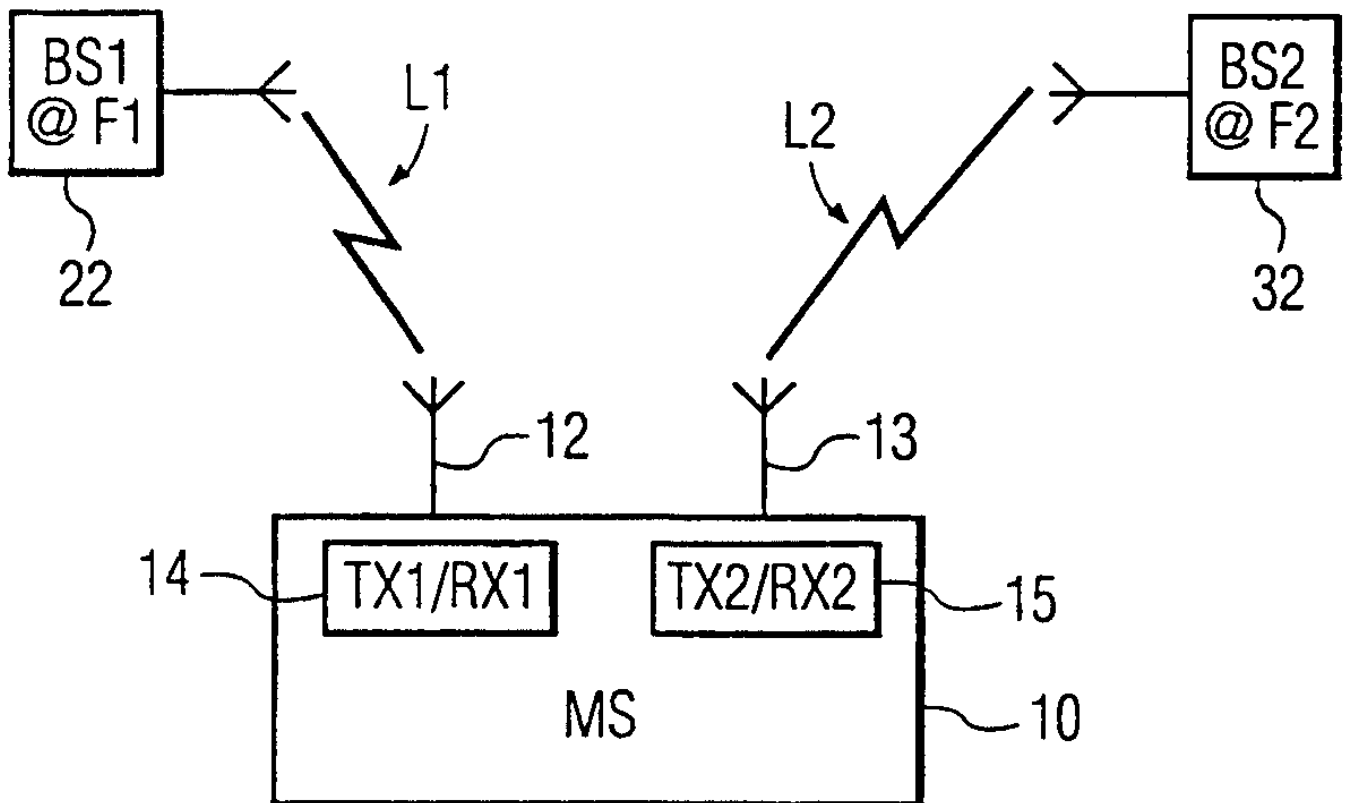
13.



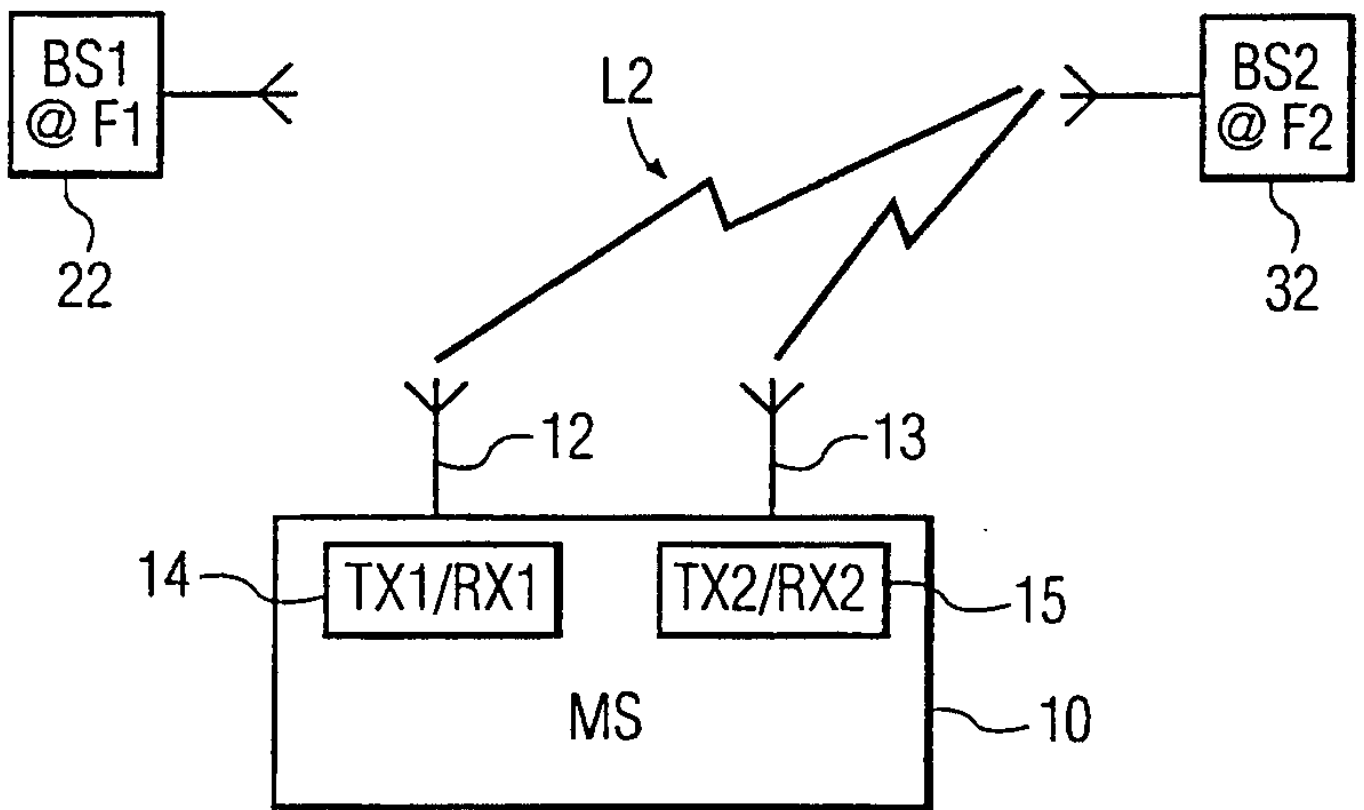
2a



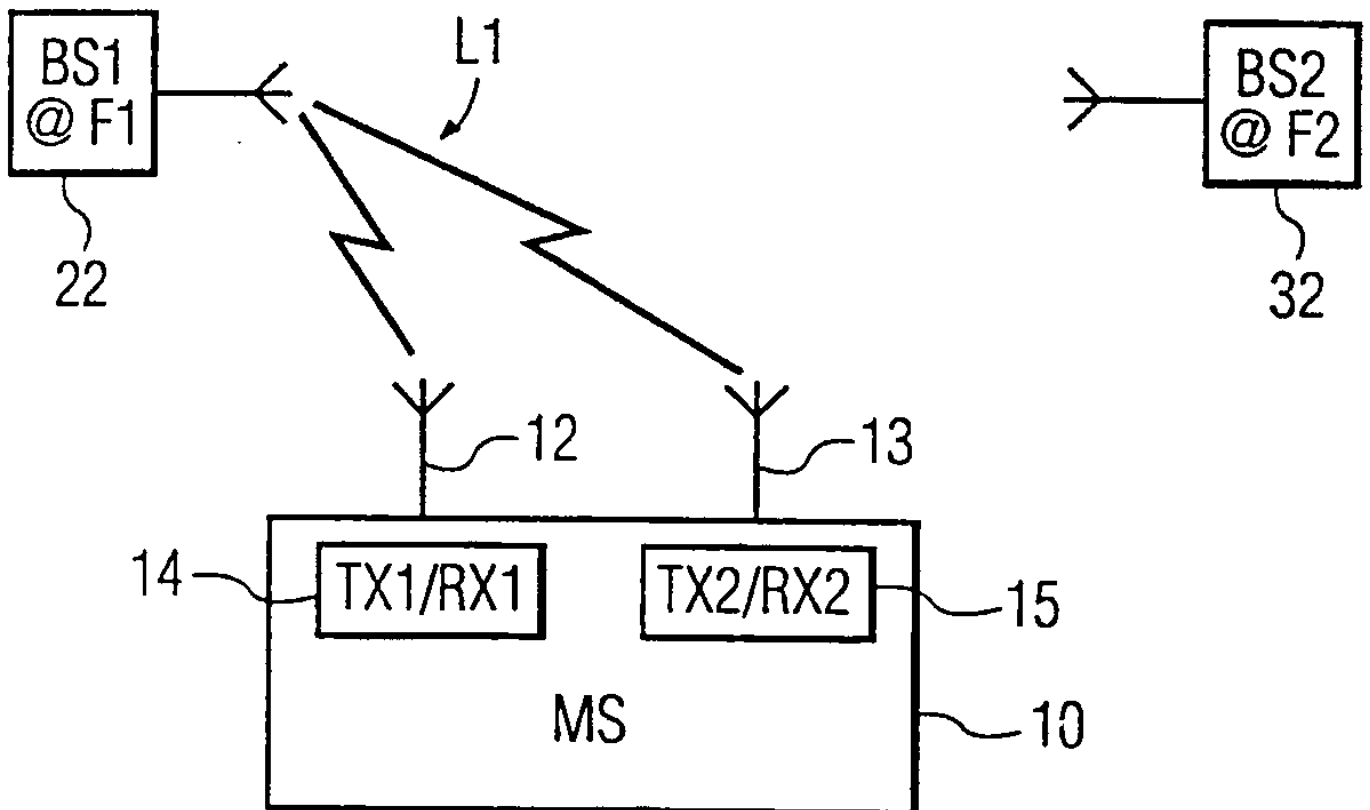
2b



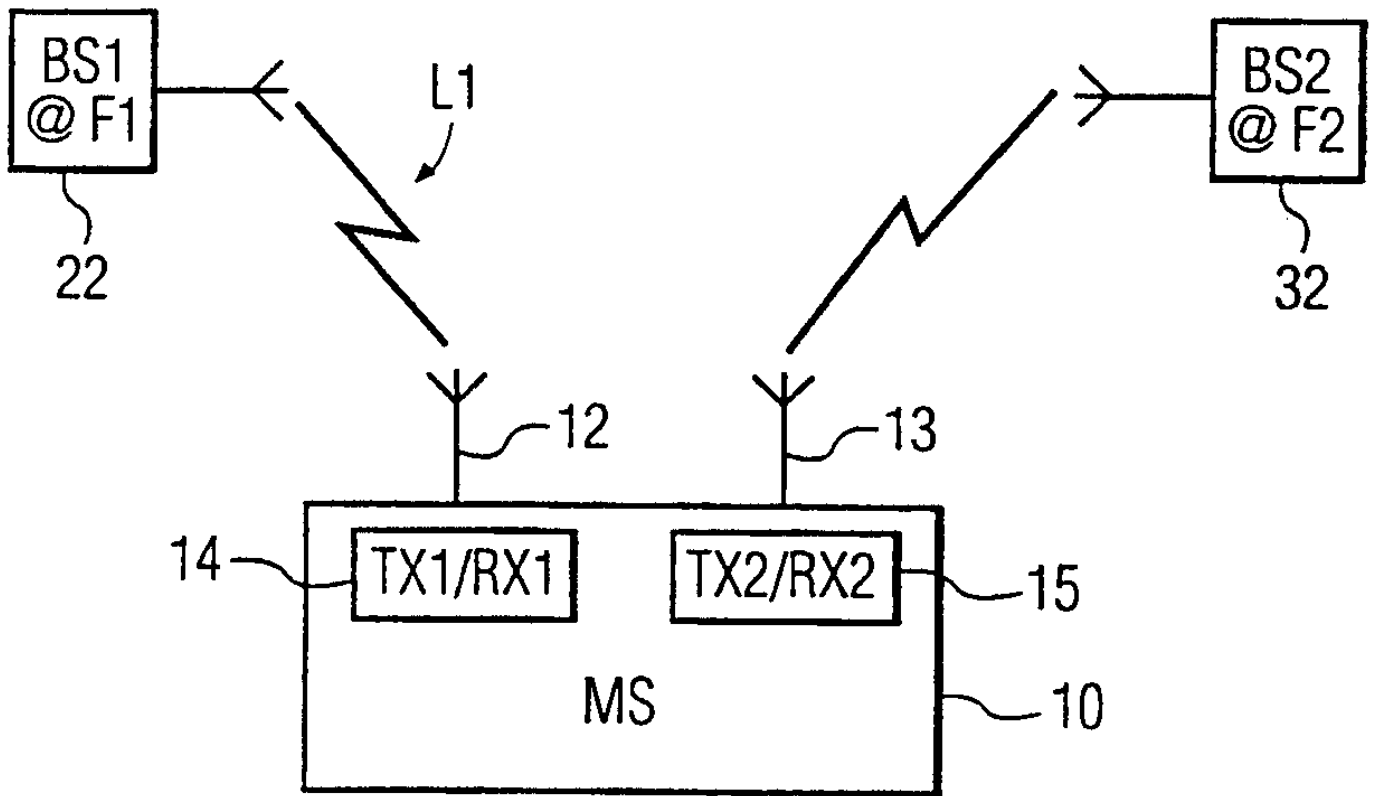
2c



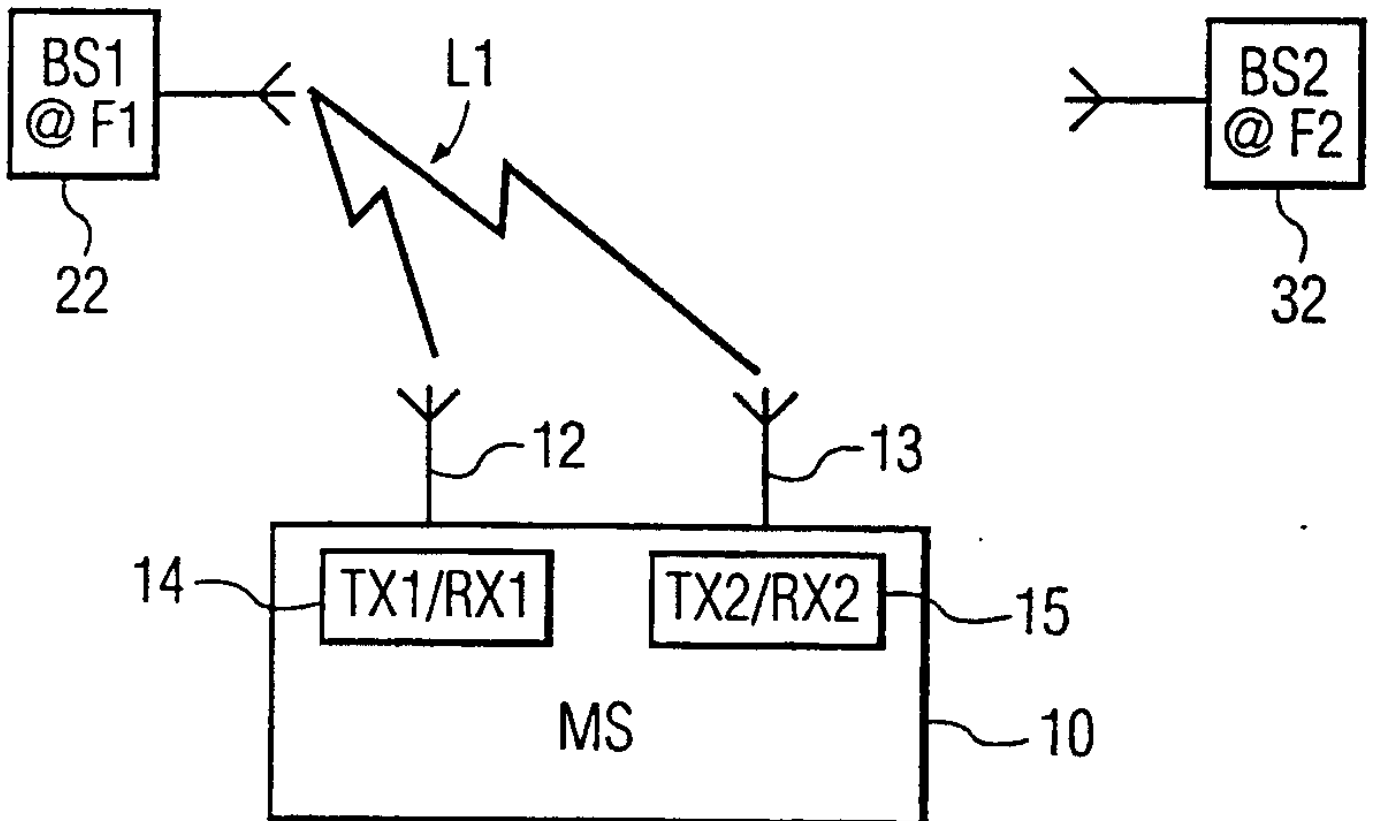
3a



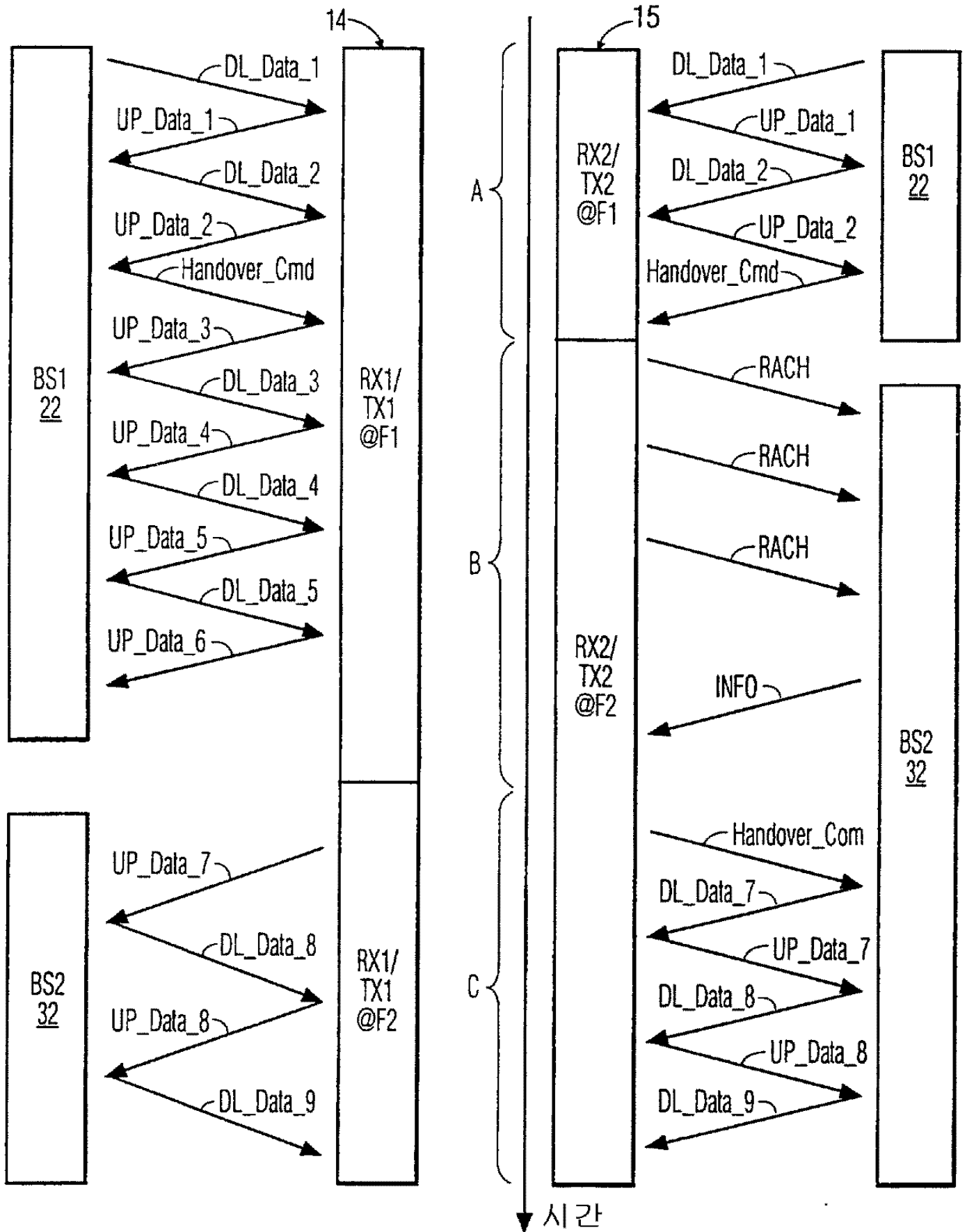
3b



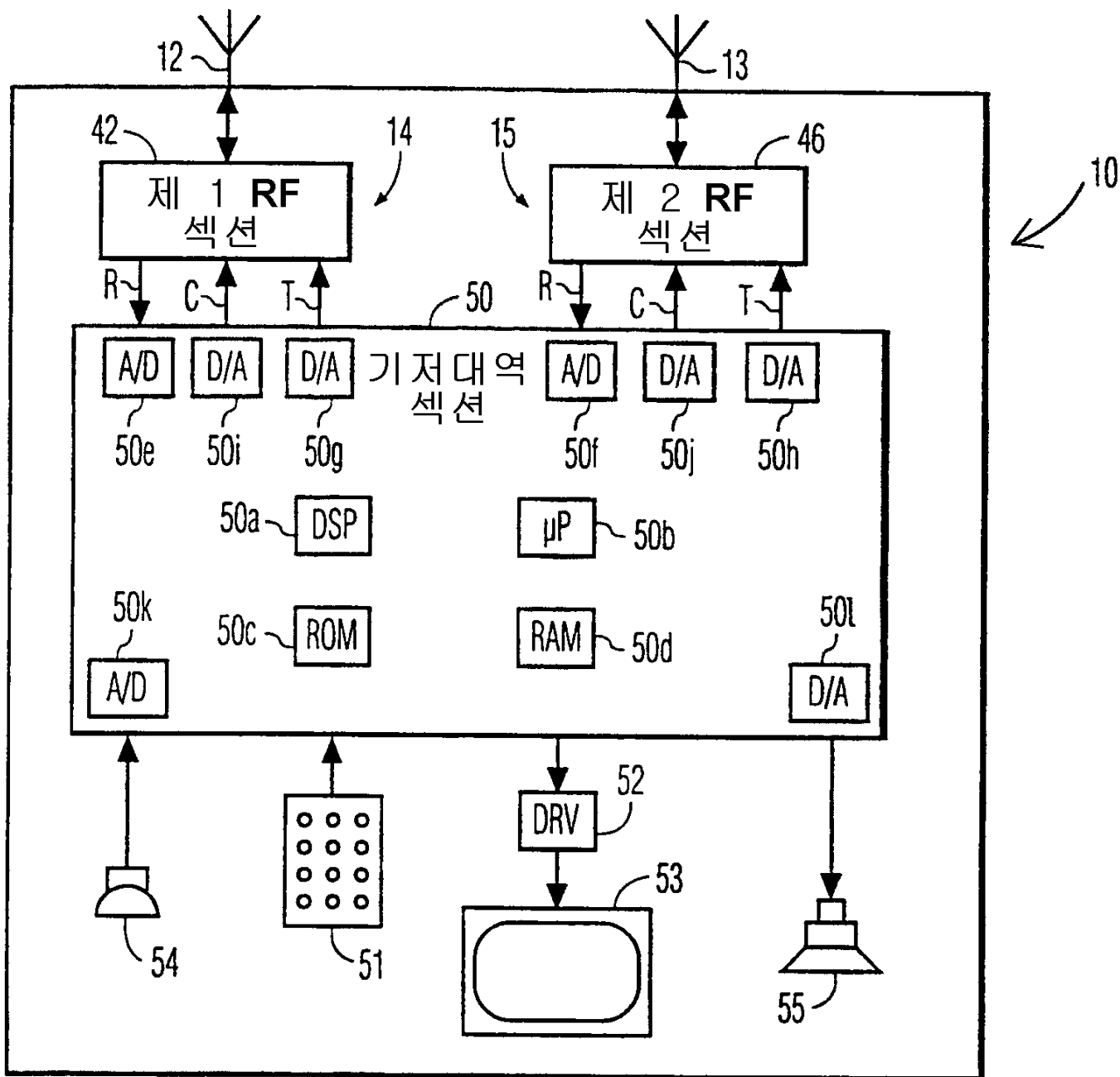
3c



4



5



6

