



US00D373827S

United States Patent [19]

[11] Patent Number: **Des. 373,827**

Polaniec

[45] Date of Patent: ****Sep. 17, 1996**

[54] **DISPOSABLE PROBE TIP**

5,392,914 2/1995 Lemieux et al. 206/499

[75] Inventor: **James P. Polaniec**, No. Ridgeville, Ohio

OTHER PUBLICATIONS

Rainin Instrument Co., Inc. Catalog, 1988, pp. 26-29.

Labsystems Catalog, 1993-1994, pp. 22-24.

[73] Assignee: **Ciba Corning Diagnostics Corp.**, Medfield, Mass.

Primary Examiner—Louis S. Zarfes

Assistant Examiner—I. Simmons

[**] Term: **14 Years**

Attorney, Agent, or Firm—Judith A. Roesler; Arthur S. Morgenstern

[21] Appl. No.: **41,199**

[57] **CLAIM**

[22] Filed: **Jul. 10, 1995**

The ornamental design for a disposable probe tip, as shown and described.

[52] U.S. Cl. **D24/222**; D24/112

[58] Field of Search D24/222; 73/864.1, 73/864.13, 864.16; 422/100, 57

DESCRIPTION

[56] **References Cited**

FIG. 1 is a perspective view of a disposable probe tip showing my new design;

FIG. 2 is a front view;

FIG. 3 is a bottom view; and,

FIG. 4 is a top view.

U.S. PATENT DOCUMENTS

D. 274,652	7/1984	De Vaughn	D24/112 X
D. 297,054	8/1988	Williams	D24/112 X
5,008,082	4/1991	Shaw	422/65
5,171,537	12/1992	Wainwright et al.	422/100
5,192,511	3/1993	Roach	422/100

1 Claim, 1 Drawing Sheet

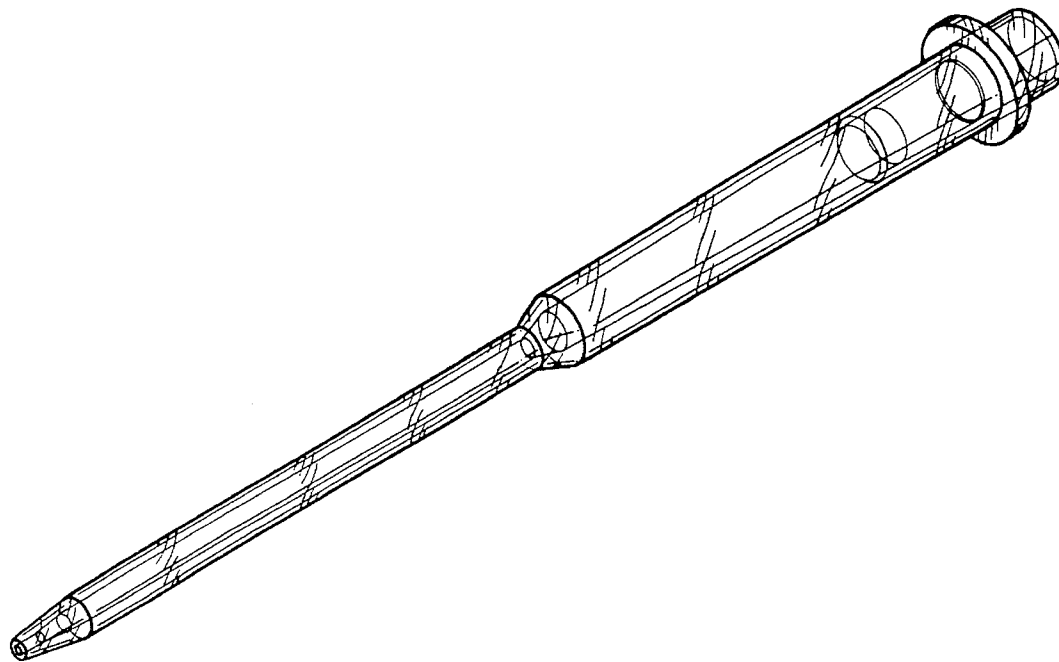


FIG. 1

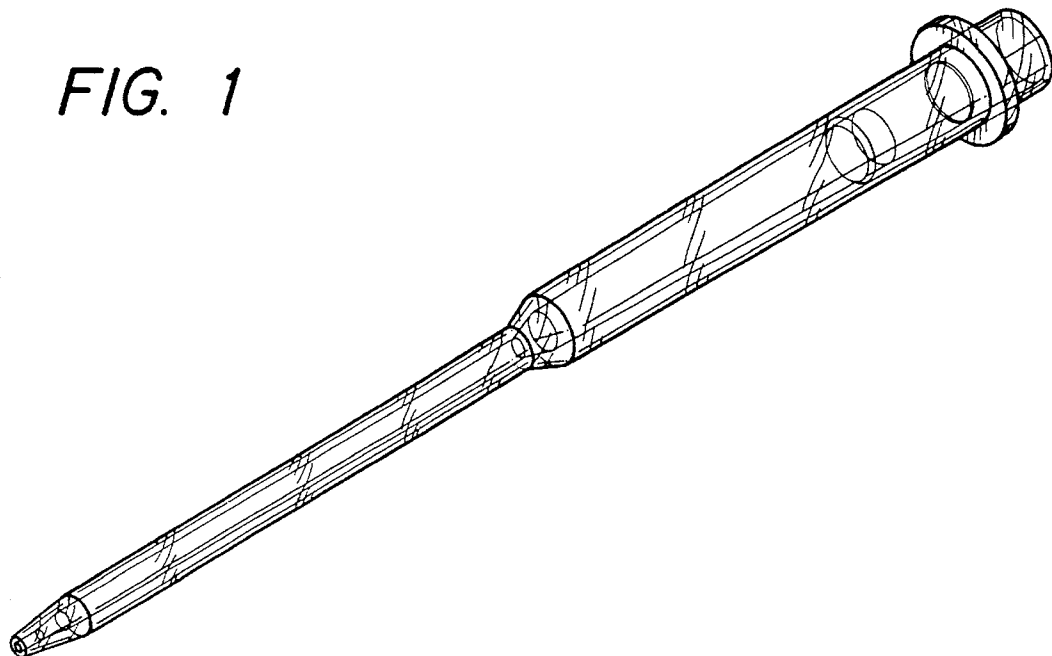


FIG. 2



FIG. 3



FIG. 4

